

# Plastic cable glands

| IP68

| Polyamide

- | Vibration- and UV-resistant
- | Halogen-free
- | Easy to assemble



**Technical specifications**

**Material**

- Cap nut and gland body: polyamide PA6 V2
- Sealing ring: TPV

**Properties**

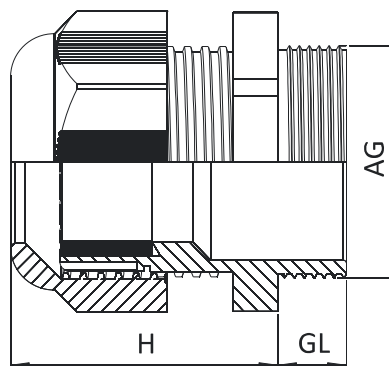
- Connection thread: metric (EN 60423) / PG (DIN 40430)
- Protection class: IP68 at up to 5 bar
- Temperature range: -20 °C +100 °C; -30 °C +150 °C (short term)
- Vibration resistance
- UV resistance
- Easy to assemble
- Halogen free



Order code	Thread (AG)	Color	Shade	Dimensions (mm)		Hex (mm)	Cable diameter (mm)	Weight (g)	Package (pcs)
				H	GL				
MBP2ST12L0	M 12 x 1,5	Grey	RAL 7035	24	8	15	3-6,5	3,5	100
MBP2ST12G0		Grey	RAL 7001						
MBP2ST12B0		Black	RAL 9005						
MBP2ST16L0	M 16 x 1,5	Grey	RAL 7035	28	8	19	4-8	5,85	100
MBP2ST16G0		Grey	RAL 7001						
MBP2ST16B0		Black	RAL 9005						
MBP2ST16L1	M 16 x 1,5	Grey	RAL 7035	29	10	22	5-10	8,15	100
MBP2ST16G1		Grey	RAL 7001						
MBP2ST16B1		Black	RAL 9005						
MBP2ST20L0	M 20 x 1,5	Grey	RAL 7035	29	10	24	6-12	10,35	100
MBP2ST20G0		Grey	RAL 7001						
MBP2ST20B0		Black	RAL 9005						
MBP2ST20L1	M 20 x 1,5	Grey	RAL 7035	29	10	24	4-10	10,55	100
MBP2ST20G1		Grey	RAL 7001						
MBP2ST20B1		Black	RAL 9005						
MBP2ST20L2	M 20 x 1,5	Grey	RAL 7035	33	10	27	10-14	13,11	100
MBP2ST20G2		Grey	RAL 7001						
MBP2ST20B2		Black	RAL 9005						
MBP2ST25L0	M 25 x 1,5	Grey	RAL 7035	38	10	33	13-18	21	50
MBP2ST25G0		Grey	RAL 7001						
MBP2ST25B0		Black	RAL 9005						
MBP2ST32L0	M 32 x 1,5	Grey	RAL 7035	41	10	42	18-25	36,4	25
MBP2ST32G0		Grey	RAL 7001						
MBP2ST32B0		Black	RAL 9005						
MBP2ST40L0	M 40 x 1,5	Grey	RAL 7035	51	10	53	22-32	66,45	10
MBP2ST40G0		Grey	RAL 7001						
MBP2ST40B0		Black	RAL 9005						
MBP2ST50L0	M 50 x 1,5	Grey	RAL 7035	53	18	60	30-38	88,11	5
MBP2ST50G0		Grey	RAL 7001						
MBP2ST50B0		Black	RAL 9005						
MBP2ST63L0	M 63 x 1,5	Grey	RAL 7035	55	18	70	34-44	98	5
MBP2ST63G0		Grey	RAL 7001						
MBP2ST63B0		Black	RAL 9005						

Order code	Thread (AG)	Color	Shade	Dimensions (mm)		Hex (mm)	Cable diameter (mm)	Weight (g)	Package (pcs)
				H	GL				
MBP1ST07L0	PG 7	Grey ●	RAL 7035	24	8	15	3-6,5	3,6	100
MBP1ST07G0		Grey ●	RAL 7001						
MBP1ST07B0		Black ●	RAL 9005						
MBP1ST09L0	PG 9	Grey ●	RAL 7035	28	8	19	4-8	5,8	100
MBP1ST09G0		Grey ●	RAL 7001						
MBP1ST09B0		Black ●	RAL 9005						
MBP1ST11L0	PG 11	Grey ●	RAL 7035	29	8	22	5-10	7,8	100
MBP1ST11G0		Grey ●	RAL 7001						
MBP1ST11B0		Black ●	RAL 9005						
MBP1ST13L0	PG 13,5	Grey ●	RAL 7035	29	9	24	6-12	9,1	100
MBP1ST13G0		Grey ●	RAL 7001						
MBP1ST13B0		Black ●	RAL 9005						
MBP1ST13L1	PG 13,5	Grey ●	RAL 7035	29	9	24	4-10	9,3	100
MBP1ST13G1		Grey ●	RAL 7001						
MBP1ST13B1		Black ●	RAL 9005						
MBP1ST16L0	PG 16	Grey ●	RAL 7035	33	9	27	10-14	12	100
MBP1ST16G0		Grey ●	RAL 7001						
MBP1ST16B0		Black ●	RAL 9005						
MBP1ST21L0	PG 21	Grey ●	RAL 7035	38	11	33	13-18	19,6	50
MBP1ST21G0		Grey ●	RAL 7001						
MBP1ST21B0		Black ●	RAL 9005						
MBP1ST29L0	PG 29	Grey ●	RAL 7035	41	11	42	18-25	32,7	25
MBP1ST29G0		Grey ●	RAL 7001						
MBP1ST29B0		Black ●	RAL 9005						
MBP1ST36L0	PG 36	Grey ●	RAL 7035	51	13	53	22-32	65,5	10
MBP1ST36G0		Grey ●	RAL 7001						
MBP1ST36B0		Black ●	RAL 9005						
MBP1ST42L0	PG 42	Grey ●	RAL 7035	53	13	60	30-38	78,3	5
MBP1ST42G0		Grey ●	RAL 7001						
MBP1ST42B0		Black ●	RAL 9005						
MBP1ST48L0	PG 48	Grey ●	RAL 7035	55	14	65	34-44	89,1	5
MBP1ST48G0		Grey ●	RAL 7001						
MBP1ST48B0		Black ●	RAL 9005						

Dimensions



**Technical specifications**

**Material**

- Cap nut and gland body: polyamide PA6 V2
- Sealing ring: TPV

**Properties**

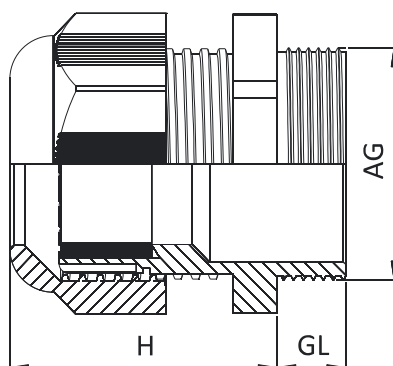
- Connection thread: metric (EN 60423) / PG (DIN 40430)
- Protection class: IP68 at up to 5 bar
- Temperature range: -20 °C +100 °C; -30 °C +150 °C (short term)
- Vibration resistance
- UV resistance
- Easy to assemble
- Halogen free



Order code	Thread (AG)	Color	Shade	Dimensions (mm)		Hex (mm)	Cable diameter (mm)
				H	GL		
MBP2LT12L0	M 12 x 1,5	Grey ●	RAL 7035	24	15	15	3-6,5
MBP2LT12G0		Grey ●	RAL 7001				
MBP2LT12B0		Black ●	RAL 9005				
MBP2LT16L0	M 16 x 1,5	Grey ●	RAL 7035	29	15	22	4-8
MBP2LT16G0		Grey ●	RAL 7001				
MBP2LT16B0		Black ●	RAL 9005				
MBP2LT16L1	M 16 x 1,5	Grey ●	RAL 7035	28	15	19	5-10
MBP2LT16G1		Grey ●	RAL 7001				
MBP2LT16B1		Black ●	RAL 9005				
MBP2LT20L0	M 20 x 1,5	Grey ●	RAL 7035	29	15	24	6-12
MBP2LT20G0		Grey ●	RAL 7001				
MBP2LT20B0		Black ●	RAL 9005				
MBP2LT20L1	M 20 x 1,5	Grey ●	RAL 7035	29	15	24	4-10
MBP2LT20G1		Grey ●	RAL 7001				
MBP2LT20B1		Black ●	RAL 9005				
MBP2LT20L2	M 20 x 1,5	Grey ●	RAL 7035	33	15	27	10-14
MBP2LT20G2		Grey ●	RAL 7001				
MBP2LT20B2		Black ●	RAL 9005				
MBP2LT25L0	M 25 x 1,5	Grey ●	RAL 7035	38	15	33	13-18
MBP2LT25G0		Grey ●	RAL 7001				
MBP2LT25B0		Black ●	RAL 9005				
MBP2LT32L0	M 32 x 1,5	Grey ●	RAL 7035	41	18	42	18-25
MBP2LT32G0		Grey ●	RAL 7001				
MBP2LT32B0		Black ●	RAL 9005				
MBP2LT40L0	M 40 x 1,5	Grey ●	RAL 7035	51	18	53	22-32
MBP2LT40G0		Grey ●	RAL 7001				
MBP2LT40B0		Black ●	RAL 9005				

Order code	Thread (AG)	Color	Shade	Dimensions (mm)		Hex (mm)	Cable diameter (mm)
				H	GL		
MBP1LT07L0	PG 7	Grey ●	RAL 7035	24	15	15	3-6,5
MBP1LT07G0		Grey ●	RAL 7001				
MBP1LT07B0		Black ●	RAL 9005				
MBP1LT09L0	PG 9	Grey ●	RAL 7035	28	15	19	4-8
MBP1LT09G0		Grey ●	RAL 7001				
MBP1LT09B0		Black ●	RAL 9005				
MBP1LT11L0	PG 11	Grey ●	RAL 7035	29	15	22	5-10
MBP1LT11G0		Grey ●	RAL 7001				
MBP1LT11B0		Black ●	RAL 9005				
MBP1LT11L1	PG 11	Grey ●	RAL 7035	29	10	22	5-10
MBP1LT11G1		Grey ●	RAL 7001				
MBP1LT11B1		Black ●	RAL 9005				
MBP1LT13L0	PG 13,5	Grey ●	RAL 7035	29	15	24	6-12
MBP1LT13G0		Grey ●	RAL 7001				
MBP1LT13B0		Black ●	RAL 9005				
MBP1LT13L1	PG 13,5	Grey ●	RAL 7035	29	15	24	4-10
MBP1LT13G1		Grey ●	RAL 7001				
MBP1LT13B1		Black ●	RAL 9005				
MBP1LT16L0	PG 16	Grey ●	RAL 7035	33	15	27	10-14
MBP1LT16G0		Grey ●	RAL 7001				
MBP1LT16B0		Black ●	RAL 9005				
MBP1LT21L0	PG 21	Grey ●	RAL 7035	38	15	33	13-18
MBP1LT21G0		Grey ●	RAL 7001				
MBP1LT21B0		Black ●	RAL 9005				

## Dimensions



**Technical specifications**

**Material**

- Cap nut and gland body: polyamide PA6 V2
- Hexagonal lock nut: polyamide PA6 V2 + 30% GF
- Sealing ring: TPV
- O-ring: NBR

**Properties**

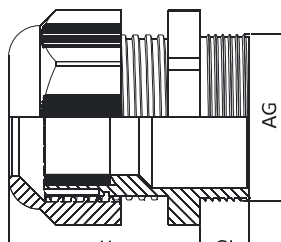
- Connection thread: metric (EN 60423) / PG (DIN 40430)
- Protection class: IP68 at up to 5 bar
- Temperature range: -20 °C +100 °C; -30 °C +150 °C (short term)
- Vibration resistance
- UV resistance
- Easy to assemble
- Halogen free



Order code	Thread (AG)	Color	Shade	Dimensions (mm)		Hex (mm)	Cable diameter (mm)	Weight (g)	Package (pcs)
				H	GL				
MBP2SS12L0	M 12 x 1,5	Grey	RAL 7035	24	8	15	3-6,5	5	10
MBP2SS16L0	M 16 x 1,5	Grey	RAL 7035	28	8	19	4-8	7	10
MBP2SS16L1	M 16 x 1,5	Grey	RAL 7035	29	10	22	5-10	10	10
MBP2SS20L0	M 20 x 1,5	Grey	RAL 7035	29	10	24	6-12	13	10
MBP2SS20L1	M 20 x 1,5	Grey	RAL 7035	29	10	24	4-10	13	10
MBP2SS20L2	M 20 x 1,5	Grey	RAL 7035	33	10	27	10-14	15	10
MBP2SS25L0	M 25 x 1,5	Grey	RAL 7035	38	10	33	13-18	24	10
MBP2SS32L0	M 32 x 1,5	Grey	RAL 7035	41	10	42	18-25	43	5
MBP2SS40L0	M 40 x 1,5	Grey	RAL 7035	51	10	53	22-32	78	5
MBP2SS50L0	M 50 x 1,5	Grey	RAL 7035	53	18	60	30-38	101	5
MBP2SS63L0	M 63 x 1,5	Grey	RAL 7035	55	18	70	34-44	116	5

Order code	Thread (AG)	Color	Shade	Dimensions (mm)		Hex (mm)	Cable diameter (mm)	Weight (g)	Package (pcs)
				H	GL				
MBP1SS07L0	PG 7	Grey	RAL 7035	24	8	15	3-6,5	5	10
MBP1SS09L0	PG 9	Grey	RAL 7035	28	8	19	4-8	7	10
MBP1ST11L0	PG 11	Grey	RAL 7035	29	8	22	5-10	10	10
MBP1SS13L0	PG 13,5	Grey	RAL 7035	29	9	24	6-12	12	10
MBP1SS13L1	PG 13,5	Grey	RAL 7035	29	9	24	4-10	12	10
MBP1SS16L0	PG 16	Grey	RAL 7035	33	9	27	10-14	15	10
MBP1SS21L0	PG 21	Grey	RAL 7035	38	11	33	13-18	24	10
MBP1SS29L0	PG 29	Grey	RAL 7035	41	11	42	18-25	39	5
MBP1SS36L0	PG 36	Grey	RAL 7035	51	13	53	22-32	80	5
MBP1SS42L0	PG 42	Grey	RAL 7035	53	13	60	30-38	94	5
MBP1SS48L0	PG 48	Grey	RAL 7035	55	14	65	34-44	107	5

**Dimensions**



**Technical specifications**

**Material**

- Cap nut and gland body: polyamide PA6 V2
- Sealing ring: TPV special seal for bend resistance

**Properties**

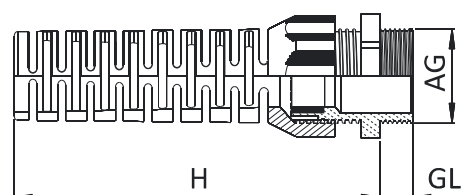
- Connection thread: metric (EN 60423) / PG (DIN 40430)
- Protection class: IP68 at up to 5 bar
- Temperature range: -20 °C +100 °C; -30 °C +150 °C (short term)
- With spiral top for bend protection
- For highly movable flexible cables
- Vibration resistance
- UV resistance
- Easy to assemble
- Halogen free



Order code	Thread (AG)	Color	Shade	Dimensions (mm)		Hex (mm)	Cable diameter (mm)	Weight (g)	Package (pcs)
				H	GL				
MBP2BR12L0	M 12 x 1,5	Grey	RAL 7035	57	8	15	3-6,5	4,4	100
MBP2BR16L0	M 16 x 1,5	Grey	RAL 7035	70	8	19	4-8	7,8	100
MBP2BR16L1	M 16 x 1,5	Grey	RAL 7035	81	10	22	5-10	11,3	50
MBP2BR20L0	M 20 x 1,5	Grey	RAL 7035	89	10	24	6-12	14,9	50
MBP2BR20L1	M 20 x 1,5	Grey	RAL 7035	107	10	27	10-14	20,1	50
MBP2BR25L0	M 25 x 1,5	Grey	RAL 7035	124	10	33	13-18	34,8	25

Order code	Thread (AG)	Color	Shade	Dimensions (mm)		Hex (mm)	Cable diameter (mm)	Weight (g)	Package (pcs)
				H	GL				
MBP1BR07L0	PG 7	Grey	RAL 7035	57	8	15	3-6,5	4,2	100
MBP1BR09L0	PG 9	Grey	RAL 7035	70	8	19	4-8	7,4	100
MBP1BR11L0	PG 11	Grey	RAL 7035	81	8	22	5-10	10,8	50
MBP1BR13L0	PG 13,5	Grey	RAL 7035	89	9	24	6-12	14	50
MBP1BR16L0	PG 16	Grey	RAL 7035	107	9	27	10-14	20,5	50
MBP1BR21L0	PG 21	Grey	RAL 7035	124	11	33	13-18	33,7	25

**Dimensions**



**Technical specifications**

**Material**

- Blind stop: polyamide PA6 V2
- Sealing ring: NBR (on request)

**Properties**

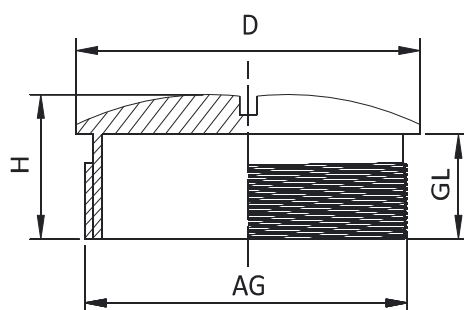
- For unused threaded holes
- Connection thread: metric (EN 60423) / PG (DIN 40430)
- Protection class: IP54 / IP68 (with o-ring)
- Temperature range: -20 °C +100 °C; -30 °C +150 °C (short term)
- UV resistance
- Halogen free



Order code	Thread (AG)	Color	Shade	Dimensions (mm)			Weight (g)	Package (pcs)
				H	GL	D		
MBP2BS12L0	M 12 x 1,5	Grey ●	RAL 7035	8,5	6	15	0,66	1000
MBP2BS16L0	M 16 x 1,5	Grey ●	RAL 7035	10	7	20	1,27	1000
MBP2BS20L0	M 20 x 1,5	Grey ●	RAL 7035	10	7	24	1,75	500
MBP2BS25L0	M 25 x 1,5	Grey ●	RAL 7035	14	10	30	3,55	300
MBP2BS32L0	M 32 x 1,5	Grey ●	RAL 7035	14	10	37	4,85	200
MBP2BS40L0	M 40 x 1,5	Grey ●	RAL 7035	15	10	48	9,11	100

Order code	Thread (AG)	Color	Shade	Dimensions (mm)			Weight (g)	Package (pcs)
				H	GL	D		
MBP1BS07L0	PG 7	Grey ●	RAL 7035	8	6	15	0,66	1000
MBP1BS09L0	PG 9	Grey ●	RAL 7035	8,2	6	19	0,9	1000
MBP1BS11L0	PG 11	Grey ●	RAL 7035	8,5	6	22	1,27	500
MBP1BS13L0	PG 13,5	Grey ●	RAL 7035	8,5	6	25	1,44	500
MBP1BS16L0	PG 16	Grey ●	RAL 7035	8,5	6	27	1,75	500
MBP1BS21L0	PG 21	Grey ●	RAL 7035	12	8	33	3,55	300
MBP1BS29L0	PG 29	Grey ●	RAL 7035	11,3	8	44	4,85	200
MBP1BS36L0	PG 36	Grey ●	RAL 7035	14,3	10	55	9,11	100

**Dimensions**





**Technical specifications**

**Material**

- Hexagonal lock nut: polyamide PA6 V2 + 30% GF
- Connection thread: metric (EN 60423) / PG (DIN 40430)

**Properties**

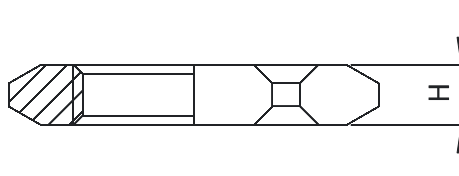
- For tightening of cable glands
- Temperature range: -20 °C +100 °C; -30 °C +150 °C (short term)
- UV resistance
- Halogen free



Order code	Thread (AG)	Color	Shade	Dimensions (mm)		Weight (g)	Package (pcs)
				H	Hex (mm)		
MBP2LS12L0	M 12 x 1,5	Grey ●	RAL 7035	5	18	1,05	1000
MBP2LS12G0		Grey ●	RAL 7001				
MBP2LS12B0		Black ●	RAL 9005				
MBP2LS16L0	M 16 x 1,5	Grey ●	RAL 7035	5	22	1,3	1000
MBP2LS16G0		Grey ●	RAL 7001				
MBP2LS16B0		Black ●	RAL 9005				
MBP2LS20L0	M 20 x 1,5	Grey ●	RAL 7035	6	26	2	500
MBP2LS20G0		Grey ●	RAL 7001				
MBP2LS20B0		Black ●	RAL 9005				
MBP2LS25L0	M 25 x 1,5	Grey ●	RAL 7035	6	32	3	500
MBP2LS25G0		Grey ●	RAL 7001				
MBP2LS25B0		Black ●	RAL 9005				
MBP2LS32L0	M 32 x 1,5	Grey ●	RAL 7035	7	41	5,86	200
MBP2LS32G0		Grey ●	RAL 7001				
MBP2LS32B0		Black ●	RAL 9005				
MBP2LS40L0	M 40 x 1,5	Grey ●	RAL 7035	7	50	11	100
MBP2LS40G0		Grey ●	RAL 7001				
MBP2LS40B0		Black ●	RAL 9005				
MBP2LS50L0	M 50 x 1,5	Grey ●	RAL 7035	8	60	13	75
MBP2LS50G0		Grey ●	RAL 7001				
MBP2LS50B0		Black ●	RAL 9005				
MBP2LS63L0	M 63 x 1,5	Grey ●	RAL 7035	8	75	17,5	50
MBP2LS63G0		Grey ●	RAL 7001				
MBP2LS63B0		Black ●	RAL 9005				

Order code	Thread (AG)	Color	Shade	Dimensions (mm)		Weight (g)	Package (pcs)
				H	Hex (mm)		
MBP1LS07L0	PG 7	Grey ●	RAL 7035	5	19	1,2	1000
MBP1LS07G0		Grey ●	RAL 7001				
MBP1LS07B0		Black ●	RAL 9005				
MBP1LS09L0	PG 9	Grey ●	RAL 7035	5	22	1,2	1000
MBP1LS09G0		Grey ●	RAL 7001				
MBP1LS09B0		Black ●	RAL 9005				
MBP1LS09L1	PG 9	Grey ●	RAL 7035	5	19	1,2	1000
MBP1LS09G1		Grey ●	RAL 7001				
MBP1LS09B1		Black ●	RAL 9005				
MBP1LS11L0	PG 11	Grey ●	RAL 7035	5	24	1,5	1000
MBP1LS11G0		Grey ●	RAL 7001				
MBP1LS11B0		Black ●	RAL 9005				
MBP1LS13L0	PG 13,5	Grey ●	RAL 7035	6	27	2,37	500
MBP1LS13G0		Grey ●	RAL 7001				
MBP1LS13B0		Black ●	RAL 9005				
MBP1LS16L0	PG 16	Grey ●	RAL 7035	6	30	3	500
MBP1LS16G0		Grey ●	RAL 7001				
MBP1LS16B0		Black ●	RAL 9005				
MBP1LS21L0	PG 21	Grey ●	RAL 7035	7	36	4,5	250
MBP1LS21G0		Grey ●	RAL 7001				
MBP1LS21B0		Black ●	RAL 9005				
MBP1LS29L0	PG 29	Grey ●	RAL 7035	7	46	6,21	200
MBP1LS29G0		Grey ●	RAL 7001				
MBP1LS29B0		Black ●	RAL 9005				
MBP1LS36L0	PG 36	Grey ●	RAL 7035	8	60	14	100
MBP1LS36G0		Grey ●	RAL 7001				
MBP1LS36B0		Black ●	RAL 9005				
MBP1LS42L0	PG 42	Grey ●	RAL 7035	8	65	15	50
MBP1LS42G0		Grey ●	RAL 7001				
MBP1LS42B0		Black ●	RAL 9005				
MBP1LS48L0	PG 48	Grey ●	RAL 7035	8	70	18	50
MBP1LS48G0		Grey ●	RAL 7001				
MBP1LS48B0		Black ●	RAL 9005				

**Dimensions**



## Technical specifications

## Material

- Polyamide PA6
- Temperature range: -20 °C +100 °C
- For blinding and sealing already installed cable glands



Order code	PG Thread	M Thread	Color	Shade	Weight (g)	Package (pcs)
MBP0PT07B0	PG 7	M 12 x 1,5	Black ●	RAL 9005	0,2	1000
MBP0PT09B0	PG 9	M 16 x 1,5	Black ●	RAL 9005	0,6	1000
MBP0PT11B0	PG 11	M 16 x 1,5	Black ●	RAL 9005	0,8	1000
MBP0PT13B0	PG 13,5	M 20 x 1,5	Black ●	RAL 9005	1,4	500
MBP0PT16B0	PG 16	M 20 x 1,5	Black ●	RAL 9005	1,8	500
MBP0PT21B0	PG 21	M 25 x 1,5	Black ●	RAL 9005	2,6	250
MBP0PT29B0	PG 29	M 32 x 1,5	Black ●	RAL 9005	4,8	200
MBP0PT36B0	PG 36	M 40 x 1,5	Black ●	RAL 9005	8,6	100
MBP0PT42B0	PG 42	M 50 x 1,5	Black ●	RAL 9005	10,6	50
MBP0PT48B0	PG 48	M 63 x 1,5	Black ●	RAL 9005	13,8	50

*NB! The gland sizes are given for plastic cable glands. In case of using metal cable glands, the protection tap has to be **one size smaller** than indicated above!*

## O-rings for cable glands

## Technical specifications

## Material

- NBR (70 sh)
- Temperature range: -30 °C +100 °C



Order code	Thread	Inner diameter (mm)	Height (mm)	Weight (g)	Package (pcs)
MBP1OR07B0	PG 7 / M 12	9	1,5	5	1000
MBP1OR09B0	PG 9 / M 16	11	1,5	9	1000
MBP1OR11B0	PG 11	13	1,5	10	1000
MBP1OR16B0	PG 16	18	1,5	13	1000
MBP1OR21B0	PG 21 / M 32	22	2	29	1000
MBP1OR36B0	PG 36 / M50	40	2	50	300
MBP1OR42B0	PG 42	48	2	62	100
MBP2OR20B0	M 20 / PG 13,5	16	15	12	1000
MBP2OR25B0	M 25	19	2	30	1000
MBP2OR40B0	M 40 / PG 29	23	2	37	300
MBP2OR63B0	M 63 / PG 48	53	2	72	100

# *Metal cable glands*

**| IP68**

**| Brass, stainless steel, EMC**

- |** Vibration- and UV-resistant
- |** Heavy duty
- |** Easy to assemble



**Technical specifications**

**Material**

- Cap nut and gland body: nickel-plated brass
- Clamping insert: polyamide PA6 V2
- Sealing ring: TPV
- O-ring: NBR

**Properties**

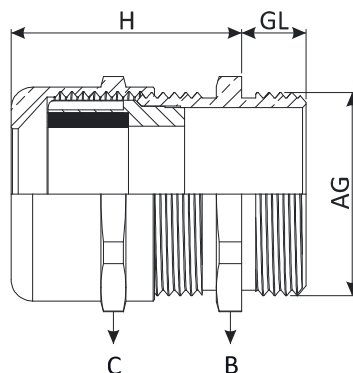
- Connection thread: metric (EN 60423) / PG (DIN 40430)
- Protection class: IP68 at up to 5 bar
- Temperature range: -20 °C +100 °C; -40 °C +150 °C (short term)
- Easy to assemble
- Long thread versions available
- High strain relief



Order code	Thread (AG)	Dimensions (mm)		Hex B (mm)	Hex C (mm)	Cable diameter (mm)	Weight (g)	Package (pcs)
		H	GL					
MBM2ST12E0	M 12 x 1,5	22	6	14	14	3-6,5	12	100
MBM2ST16E0	M 16 x 1,5	23	7	18	17	4-8	18,4	50
MBM2ST20E0	M 20 x 1,5	26,5	8	22	22	6-12	29,2	50
MBM2ST20E1	M 20 x 1,5	26,5	8	22	22	4-10	30,05	50
MBM2ST25E0	M 25 x 1,5	28	8	27	24	10-14	36	25
MBM2ST32E0	M 32 x 1,5	31,5	9	34	30	13-18	67	20
MBM2ST40E0	M 40 x 1,5	38	9	43	40	18-25	138,6	10
MBM2ST50E0	M 50 x 1,5	43	9	55	50	22-32	231,4	5
MBM2ST63E0	M 63 x 1,5	48	14	68	64	33-44	414,4	5

Order code	Thread (AG)	Dimensions (mm)		Hex (mm)	Cable diameter (mm)	Weight (g)	Package (pcs)
		H	GL				
MBM1ST07E0	PG 7	22	6	14	3-6,5	11,8	100
MBM1ST09E0	PG 9	23	6	17	4-8	16,6	50
MBM1ST11E0	PG 11	24,5	6	20	5-10	23,2	50
MBM1ST13E0	PG 13,5	26,5	6,5	22	6-12	29,6	50
MBM1ST13E1	PG 13,5	26,5	6,5	22	4-10	29,8	50
MBM1ST16E0	PG 16	28	6,5	24	10-14	31,6	50
MBM1ST21E0	PG 21	31,5	7	30	13-18	55	25
MBM1ST29E0	PG 29	38	8	40	18-25	115,6	20
MBM1ST36E0	PG 36	43	10	50	22-32	198,4	10
MBM1ST42E0	PG 42	47	12	57	30-38	231,8	5
MBM1ST48E0	PG 48	48	14	64	33-44	344,8	5

**Dimensions**



**Technical specifications**

**Material**

- Cap nut and gland body: stainless steel (1.4305 / AISI303-1.4404 / AISI316L)
- Clamping insert: polyamide PA6 V2
- Sealing ring: TPV
- O-ring: NBR

**Properties**

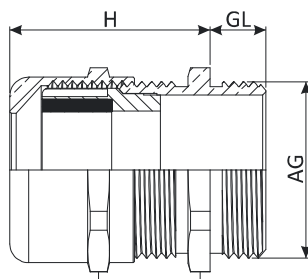
- Connection thread: metric (EN60423) / PG (DIN 40430)
- Protection class: IP68 - 5 bar
- Temperature range: -20 °C +100 °C; -40 °C +150 °C (short term)
- High corrosion resistance
- Smooth surfaces
- Easy to assemble
- Food, pharmaceutical industry and on-/offshore applications



Order code	Thread (AG)	Dimensions (mm)		Hex B (mm)	Hex C (mm)	Cable diameter (mm)	Weight (g)	Package (pcs)
		H	GL					
MBS2ST12E0	M 12 x 1,5	22	6	14	14	3-6,5	12,5	100
MBS2ST16E0	M 16 x 1,5	23	7	18	17	4-8	18,5	50
MBS2ST20E0	M 20 x 1,5	26,5	8	22	22	6-12	26	50
MBS2ST20E1	M 20 x 1,5	26,5	8	22	22	4-10	26,2	50
MBS2ST25E0	M 25 x 1,5	28	8	27	24	10-14	41	25
MBS2ST32E0	M 32 x 1,5	31,5	9	36	30	13-18	70	20
MBS2ST40E0	M 40 x 1,5	38	9	46	41	18-25	144,5	10
MBS2ST50E0	M 50 x 1,5	43	9	55	50	22-32	255	5
MBS2ST63E0	M 63 x 1,5	48	14	70	65	33-44	395,6	5

Order code	Thread (AG)	Dimensions (mm)		Hex (mm)	Cable diameter (mm)	Weight (g)	Package (pcs)
		H	GL				
MBS1ST07E0	PG 7	22	6	14	3-6,5	12,5	100
MBS1ST09E0	PG 9	23	6	17	4-8	16,6	50
MBS1ST11E0	PG 11	24,5	6	22	5-10	23,2	50
MBS1ST13E0	PG 13,5	26,5	6,5	22	6-12	29,6	50
MBS1ST13E1	PG 13,5	26,5	6,5	22	4-10	29,8	50
MBS1ST16E0	PG 16	28	6,5	24	10-14	31,6	50
MBS1ST21E0	PG 21	31,5	7	30	13-18	55	25
MBS1ST29E0	PG 29	38	8	41	18-25	115,6	20
MBS1ST36E0	PG 36	43	10	50	22-32	145	10
MBS1ST42E0	PG 42	47	12	60	30-38	255	5
MBS1ST48E0	PG 48	48	14	65	33-34	345	5

**Dimensions**



**Technical specifications**

**Material**

- Cap nut and gland body: nickel-plated brass
- Sealing ring: TPV / silicone / EPDM
- O-ring: NBR / TPV / silicone / EPDM

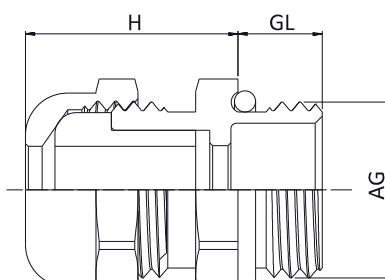
**Properties**

- Connection thread: metric (EN60423) / PG (DIN 40430)
- Protection class: IP68 at up to 3 bar
- Temperature range: -20 °C +100 °C; -40 °C +150 °C
- Easy to assemble
- Long thread versions available
- Lighting industry



Order code	Thread (AG)	Dimensions (mm)		Hex (mm)	Cable diameter (mm)	Package (pcs)
		H	GL			
MBM2MI06E0	M 6 x 1,0	10,5	6	8	2-3	100
MBM2MI08E0	M 8 x 1,25	15	6	14	2-4	100
MBM2MI08E1	M 8 x 1,25	15	6	11	3-5	100
MBM2MI10E0	M 10 x 1,5	15	6	14	2-4	100
MBM2MI10E1	M 10 x 1,5	15	6	14	3-6	100
MBM2MI10E2	M 10 x 1,5	14,5	6	12	4-6	100
MBM2MI12E0	M 12 x 1,5	15	6	14	2-4	100
MBM2MI12E1	M 12 x 1,5	15	6	14	3-6	100
MBM1MI07E0	PG 7	15	6	14	2-4	100
MBM1MI07E1	PG 7	15	6	14	3-6	100
MBM1MI09E0	PG 9	16,5	6	17	4-6	100
MBM1MI09E1	PG 9	16,5	6	17	6-8	100

**Dimensions**



**Technical specifications**
**Material**

- Cap nut and gland body: nickel-plated brass
- Clamping insert: polyamide PA6 V2
- Sealing ring: TPV
- EMC spring: AISI301
- O-ring: NBR

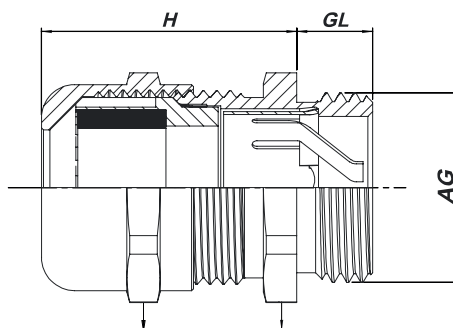
**Properties**

- Connection thread: metric (EN60423) / PG (DIN 40430)
- Protection class: IP68 - 5 bar
- Temperature range: -20 °C +100 °C; -40 °C +150 °C
- Easy to assemble
- For cables with shielding
- Suitable for cables with and without inner sheath
- Highly conductive



Order code	Thread (AG)	Dimensions (mm)		Hex B (mm)	Hex C (mm)	Cable diameter (mm)	Weight (g)	Package (pcs)
		H	GL					
MBM2EC12E0	M 12 x 1,5	22	6	14	14	3-6,5	12,5	100
MBM2EC16E0	M 16 x 1,5	23	7	18	17	4-8	18,5	50
MBM2EC20E0	M 20 x 1,5	26,5	8	22	22	6-12	26,5	50
MBM2EC25E0	M 25 x 1,5	28	8	27	24	10-14	42	25
MBM2EC32E0	M 32 x 1,5	32,5	9	34	30	13-18	72,5	20
MBM2EC40E0	M 40 x 1,5	38	9	43	40	18-25	144,5	10
MBM2EC50E0	M 50 x 1,5	48	9	55	50	22-32	255	5
MBM2EC63E0	M 63 x 1,5	53	14	68	64	34-44	395,5	5

Order code	Thread (AG)	Dimensions (mm)		Hex (mm)	Cable diameter (mm)	Weight (g)	Package (pcs)
		H	GL				
MBM1EC07E0	PG 7	22	6	14	3-6,5	16,5	100
MBM1EC09E0	PG 9	23	6	17	4-8	18,5	50
MBM1EC11E0	PG 11	26	6	20	5-10	25	50
MBM1EC13E0	PG 13,5	26,5	6,5	22	6-12	30	50
MBM1EC16E0	PG 16	28	6,5	24	10-14	37	50
MBM1EC21E0	PG 21	32,5	7	30	13-18	62,5	25
MBM1EC29E0	PG 29	38	8	40	18-25	128	20
MBM1EC36E0	PG 36	48	9	50	22-32	232,5	10
MBM1EC42E0	PG 42	48	12	58	30-38	252,5	5
MBM1EC48E0	PG 48	52	14	64	34-44	355	5

**Dimensions**




**Technical specifications**

**Material**

- Cap nut and gland body: nickel-plated brass
- Sealing ring: EPDM
- O-ring: NBR - TPV

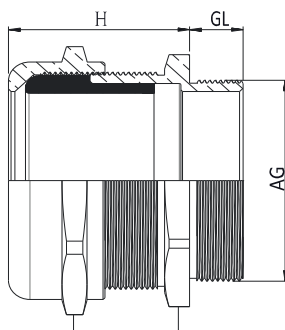
**Properties**

- Connection thread: metric (EN60423)
- Protection class: IP68
- Temperature range: -20 °C +100 °C; -40 °C +150 °C
- High impact and temperature resistance
- Easy to assemble
- Wide cable range
- XL cables



Order code	Thread (AG)	Dimensions (mm)		Hex B (mm)	Hex C (mm)	Cable diameter (mm)	Weight (g)	Package (pcs)
		H	GL					
MBM2XL63E0	M 63 x 1,5	48	15	70	75	45-55	515	5
MBM2XL75E0	M 75 x 1,5	48	20	85	75	45-55	700	2
MBM2XL75E1	M 75 x 1,5	58	20	90	90	50-63	700	2
MBM2XL80E0	M 80 x 2,0	58	20	90	90	50-63	870	2
MBM2XL90E0	M 90 x 2,0	61	20	100	100	60-70	1109	2
MBM3XL21E0	2 ½"	48	20	85	75	45-55	590,2	2
MBM3XL21E1	2 ½"	58	20	90	90	50-63	950	2
MBM3XL30E0	3"	61	20	100	100	60-70	1093,4	2

**Dimensions**



**Technical specifications**

**Material**

- Screw plug: nickel-plated brass
- Sealing ring: NBR

**Properties**

- Connection thread: metric (EN60423) / PG (DIN 40430)
- Protection class: IP68
- Temperature range: -40 °C +100 °C
- For unused threaded holes
- Assembly with a screwdriver
- Machine and equipment manufacturing
- Electric motor manufacturing



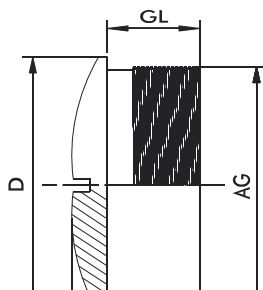
**Dimensions (mm)**

Order code	Thread (AG)	Dimensions (mm)			Weight (g)	Package (pcs)
		H	GL	D		
MBM2BS12E0	M 12 x 1,5	7,5	5	14	4,5	100
MBM2BS16E0	M 16 x 1,5	8	5	18	5,3	50
MBM2BS20E0	M 20 x 1,5	9,5	6,5	22	14,5	50
MBM2BS25E0	M 25 x 1,5	11	7	28	17	25
MBM2BS32E0	M 32 x 1,5	12	8	35	24,6	20
MBM2BS40E0	M 40 x 1,5	13	8,5	44	40,4	10
MBM2BS50E0	M 50 x 1,5	15	9	54	56,2	10
MBM2BS63E0	M 63 x 1,5	16	10	67	102,6	5

**Dimensions (mm)**

Order code	Thread (AG)	Dimensions (mm)			Weight (g)	Package (pcs)
		H	GL	D		
MBM1BS07E0	PG 7	8	5	14	3,7	100
MBM1BS09E0	PG 9	9	6	17	5,4	50
MBM1BS11E0	PG 11	9	6	20	7,9	50
MBM1BS13E0	PG 13,5	9,5	6,5	22	9,8	50
MBM1BS16E0	PG 16	9,5	6,5	24	15	50
MBM1BS21E0	PG 21	11	7	30	18,9	25
MBM1BS29E0	PG 29	12	8	39	69,4	20
MBM1BS36E0	PG 36	15	9	50	62,5	10
MBM1BS42E0	PG 42	16	10	57	86,1	5
MBM1BS48E0	PG 48	16	10	64	96,6	5

**Dimensions**



**Technical specifications**

**Material**

- Hexagonal locknut: nickel-plated brass
- Connection thread: metric (EN60423) / PG (DIN 40430)
- Temperature range: -60 °C +200 °C

**Properties**

- For tightening of cable glands



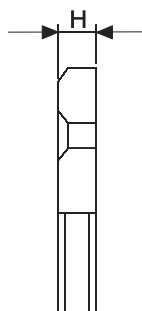
**Dimensions (mm)**

Order code	Thread (AG)	H	Hex (mm)	Weight (g)	Package (pcs)
MBM2LS12E0	M 12 x 1,5	2,8	15	1,6	100
MBM2LS16E0	M 16 x 1,5	3	19	3	50
MBM2LS20E0	M 20 x 1,5	3,5	24	5,4	50
MBM2LS25E0	M 25 x 1,5	3,5	30	8,2	25
MBM2LS32E0	M 32 x 1,5	4	36	10,6	20
MBM2LS40E0	M 40 x 1,5	4	45	16,4	10
MBM2LS50E0	M 50 x 1,5	5	55	26,8	5
MBM2LS63E0	M 63 x 1,5	5	68	37	5
MBM2LS75E0	M 75 x 1,5	7	90	150,4	10
MBM2LS80E0	M 80 x 2,0	7	90	165	10
MBM2LS90E0	M 90 x 2,0	10	100	202	10
MBM3LS21E0	2 1/2"	10	80	122,2	5
MBM3LS30E0	3"	10	100	223,4	5

**Dimensions (mm)**

Order code	Thread (AG)	H	Hex (mm)	Weight (g)	Package (pcs)
MBM1LS07E0	PG 7	2,8	15	1,8	100
MBM1LS09E0	PG 9	2,8	18	2,2	50
MBM1LS11E0	PG 11	3	21	2,8	50
MBM1LS13E0	PG 13,5	3	23	3,4	50
MBM1LS16E0	PG 16	3	26	4,4	50
MBM1LS21E0	PG 21	3,5	32	7,4	25
MBM1LS29E0	PG 29	4	40	10,2	20
MBM1LS36E0	PG 36	5	50	17,2	10
MBM1LS42E0	PG 42	5	60	32,6	5
MBM1LS48E0	PG 48	5,5	64	35,8	5

**Dimensions**



**Technical specifications**

**Material**

- Hexagonal locknut: stainless steel AISI303 / AISI316L
- Connection thread: metric (EN60423) / PG (DIN 40430)
- Temperature range: -60 °C +200 °C

**Properties**

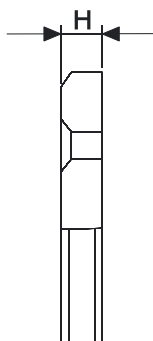
- For tightening of stainless steel cable glands



Order code	Thread (AG)	Dimensions (mm)		Weight (g)	Package (pcs)
		H	Hex (mm)		
MBS2LS12E0	M 12 x 1,5	2,8	15	2	100
MBS2LS16E0	M 16 x 1,5	3	19	4	50
MBS2LS20E0	M 20 x 1,5	3,5	24	5	50
MBS2LS25E0	M 25 x 1,5	3,5	30	8,5	25
MBS2LS32E0	M 32 x 1,5	4	36	12	20
MBS2LS40E0	M 40 x 1,5	4	46	17	10
MBS2LS50E0	M 50 x 1,5	5	55	28	5
MBS2LS63E0	M 63 x 1,5	5	70	37	5

Order code	Thread (AG)	Dimensions (mm)		Weight (g)	Package (pcs)
		H	Hex (mm)		
MBS1LS07E0	PG 7	2,8	15	2	100
MBS1LS09E0	PG 9	2,8	18	3	50
MBS1LS11E0	PG 11	3	22	4	50
MBS1LS13E0	PG 13,5	3	24	5	50
MBS1LS16E0	PG 16	3	27	7	50
MBS1LS21E0	PG 21	3,5	32	8,5	25
MBS1LS29E0	PG 29	4	41	10,2	20
MBS1LS36E0	PG 36	5	50	10	17
MBS1LS42E0	PG 42	5	60	28	5
MBS1LS48E0	PG 48	5,5	65	35	5

**Dimensions**



**Technical specifications**

**Material**

- Hexagonal locknut: nickel-plated brass; tainless steel  
AISI303 / AISI316L
- Connection thread: metric (EN60423) / PG (DIN 40430)
- Temperature range: -60 °C +200 °C

**Properties**

- For tightening of EMC cable glands



Order code Brass	Thread (AG)	Dimensions (mm)		Hex (mm)	Weight (g)	Package (pcs)
		H	S			
MBM2LS12E1	M 12 x 1,5	3,3	0,5	15	3	100
MBM2LS16E1	M 16 x 1,5	3,5	0,5	19	4	50
MBM2LS20E1	M 20 x 1,5	3,5	0,5	24	5	50
MBM2LS25E1	M 25 x 1,5	3,5	0,5	30	8,5	25
MBM2LS32E1	M 32 x 1,5	4,0	0,5	36	11	20
MBM2LS40E1	M 40 x 1,5	4,6	0,6	45	17	10
MBM2LS50E1	M 50 x 1,5	5,6	0,6	55	28	5
MBM2LS63E1	M 63 x 1,5	6,7	0,7	70	37	5
MBM2LS75E1	M 75 x 1,5	8,0	1,0	85	109	5

Order code Brass	Thread (AG)	Dimensions (mm)		Hex (mm)	Weight (g)	Package (pcs)
		H	S			
MBS1LS07E1	PG 7	3,3	0,5	15	3	100
MBS1LS09E1	PG 9	3,3	0,5	18	4	50
MBS1LS11E1	PG 11	3,5	0,5	21	5	50
MBS1LS13E1	PG 13,5	3,5	0,5	23	8	50
MBS1LS16E1	PG 16	3,5	0,5	26	11	50
MBS1LS21E1	PG 21	4,0	0,5	32	15	25
MBS1LS29E1	PG 29	4,6	0,6	40	19	20
MBS1LS36E1	PG 36	5,6	0,6	50	28	10
MBS1LS42E1	PG 42	5,6	0,6	60	37	5
MBS1LS48E1	PG 48	6,1	0,6	65	45	5

**Dimensions**

