



WE CONNECT TO PROTECT



System 60

## NH00-fuse switch disconnecter for bus bar mounting

Series KE

Size: 00 / 3-pole / 160A/690V

Wide of 108mm

snap on assembly on 60mm bus bars

for 12 - 30mm width and 5 - 10mm thickness

lockable

integrated touch protection

Item:	kg/pc	unit	Item No.
NH 00 RT, Connection with frame clamps 2,5-95mm <sup>2</sup> ; output at bottom end	0,90	1	208010
NH 00 RT, Connection with frame clamps 2,5-95mm <sup>2</sup> ; output at top end	0,90	1	208011
NH 00 RT, Connection with terminal screw M8, output at bottom end	0,90	1	208012
NH 00 RT, Connection with terminal screw M8, output at top end	0,90	1	208013

## Approvals

IEC 60947-1  
IEC 60947-3

## Electrical Data

Number of pole:	3			
Size of fuse links:	00			
Rated voltage $U_N$ :	690V			
Rated insulation voltage $U_i$ :	1 kV			
Rated frequency:	50 ... 60 Hz			
konventioneller thermischer Bemessungsstrom $I_{th}$ :	160 A			
Max. permis power loss per fuse-link:	12 W			
Rated impulse withstand voltage: $U_{imp}$	8 kV			
Total power loss at $I_{th}$ (without fuse links):	12 W			
Utilization category:	AC-23B	AC-22B	DC-22B	
Rated switching voltage: $U_e$	400V	690V	250V	
Rated switching current: $I_e$	160A	160A	160A	
Rated short circuit making current:				
	at 690V	80kA	80kA	20kA
	at 400V	100kA	100kA	20kA
Rated short circuit withstand current (with fuse protection):				
	at 690V	80kA	80kA	20kA
	at 400V	100kA	100kA	20kA

## Mechanical Data

IP degree of protection:	IP 20
To be installed in the room free of any dust, aggressive or explosive gases.	
Contamination level:	3
Ambient temperature:	-25°C ... +55°C
Mechanical durability:	Number of cycles 1600
Electrical durability:	Number of cycles 200

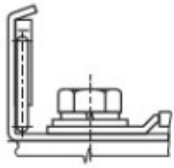
## Connection with the 60mm bus bar system

Screw:	Socketed head screw 4mm
tightening torque:	M <sub>D</sub> 6Nm

## Auxiliary switch:

AC-15  $U_e$  230V ~  $I_e$  2,5A  
DC-13  $U_e$  230V ~  $I_e$  0,3A

## Cable terminal:



### Terminal screw M8 x 16

Max. Cross section of cable with cable shoe

70mm<sup>2</sup>

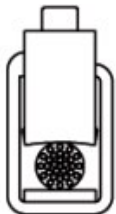
Tightening torque

10 Nm

Max. Cu bar width

20mm

10 Nm



### Frame clamp

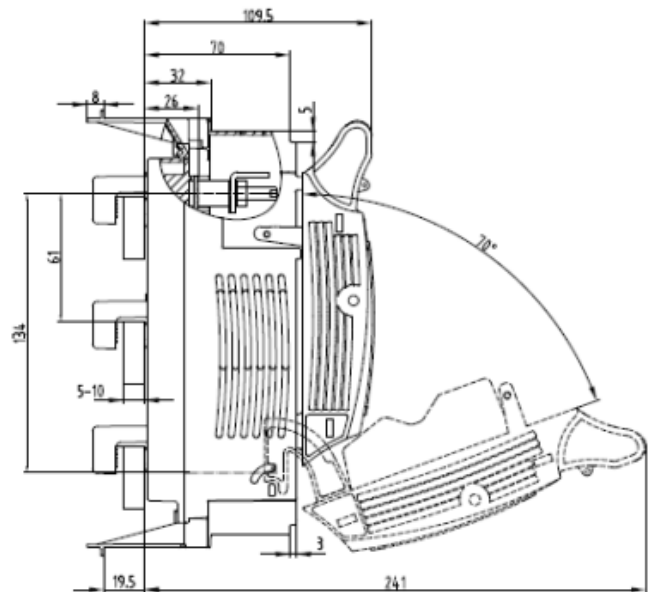
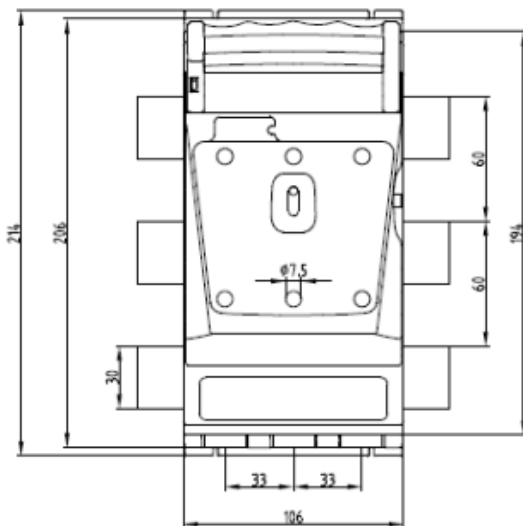
Max. Cross section of cable

95mm<sup>2</sup>

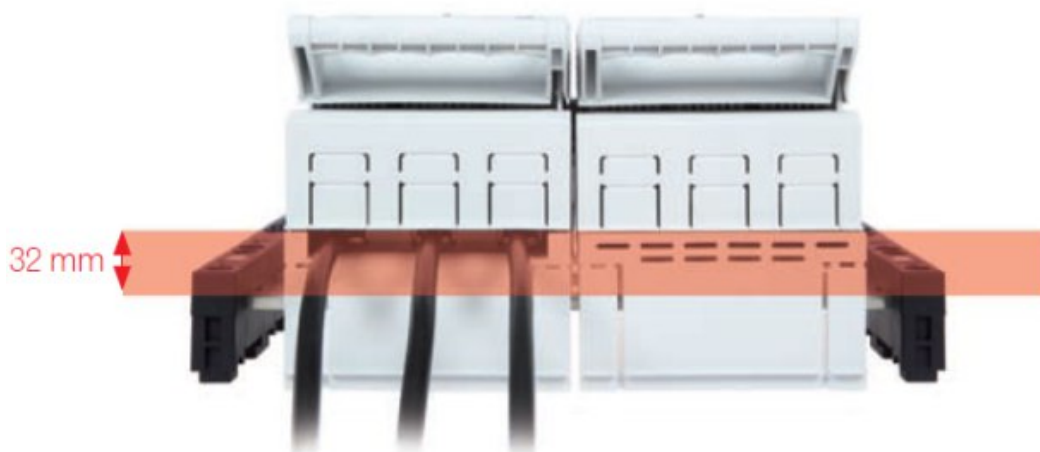
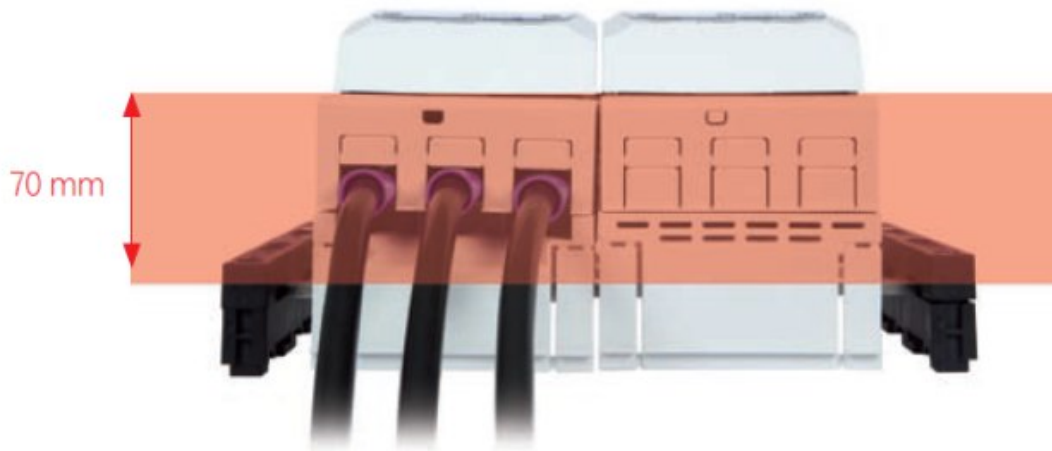
Tightening torque

6 Nm

## Dimensions:



## Support edge:



## Auxiliary switch position:



## Accessories:



Item	kg/pc	unit	Item No.
Auxiliary switch for switching position AC-15 $U_e$ 230V ~ $I_e$ 2,5A DC-13 $U_e$ 230V ~ $I_e$ 0,3A	0,01	1	200852



### NH-fuse links:

with non-isolated gripping lugs, double indicator, contact blades, complying with  
DIN VDI 0632-2 Operating class (gL) gG  
Size 000/00 500~/250V-

Item	kg/pc	unit	Item No.
Size 000 2A	0,12	3	140602
Size 000 4A	0,12	3	140604
Size 000 6A	0,12	3	140606
Size 000 10A	0,12	3	140610
Size 000 16A	0,12	9	140616
Size 000 20A	0,12	9	140620
Size 000 25A	0,12	9	140625
Size 000 32A	0,12	9	140632
Size 000 35A	0,12	9	140635
Size 000 40A	0,12	9	140640
Size 000 50A	0,12	9	140650
Size 000 63A	0,12	9	140663
Size 000 80A	0,12	9	140680
Size 000 100A	0,12	9	140690
Size 00 125A	0,12	3	140691
Size 00 160A	0,12	3	140692
NH-contact blades Size NH000 / 160A	0,12	9	141710