



NH2-fuse switch disconnecter for bus bar mounting

Series KE

Size: 2 / 3-pole / 400A/690V

overall width of 208mm

Lid locking and sealing

integrated protection against accidental contact

Design variant

optional signaling switch for switch position

Item:	kg/pc	PU	Item No.
NH 2 AT, with terminal screws M10	3,50	1	203210

Approvals

IEC 60947-1
IEC 60947-3
HD 60269-2

Electrical Data

Number of pole:	3			
Size of fuse links:	2			
Rated voltage: U_N	690V			
Rated insulation voltage: U:	1 kV			
Rated frequency:	50 ... 60 Hz			
Rated impulse withstand voltage: U_{imp}	12 kV			
Max. permis power loss per fuse-link:	23 W			
Total power loss at I_{th} (without fuse links):	45 W			
Utilization cateryory:	AC-23B	AC-22B	DC-22B	
Rated switching voltage: U_e	690V	440V	220V	
Rated switching current: I_e	400A	400A	400V	
Rated short circuit making current:				
	at 690V	80kA	15kA	20kA
	at 400V	100kA	15kA	20kA
Rated short circuit withstand current (with fuse protection):				
	at 690V	80kA	15kA	20kA
	at 400V	100kA	15kA	20kA

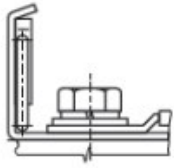
Mechanical Data

IP degree of protection:	IP 20
To be installed in the room free of any dust, aggressive or explosive gases.	
Contamination level:	3
Ambient temperature:	-25°C bis +55°C
Mechanical durability:	Number of cycles 1000
Electrical durabilityt:	Number of cycles 200

Connection with the 60mm bus bar system

Screw:	Socketed head screw 4mm
Tightening torque:	M _D 10Nm

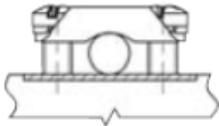
Cable terminal:



Terminal screw M10 x 30

Max. Cross section of cable with cable shoe
Max. Cu bar width

	tightening torque
240mm ²	20 Nm
35mm	

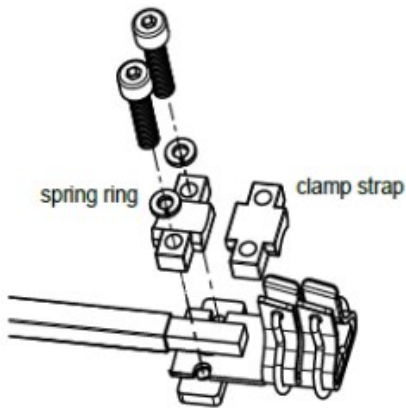


(Accessories)

Clamp strap 2 x M8 x 35

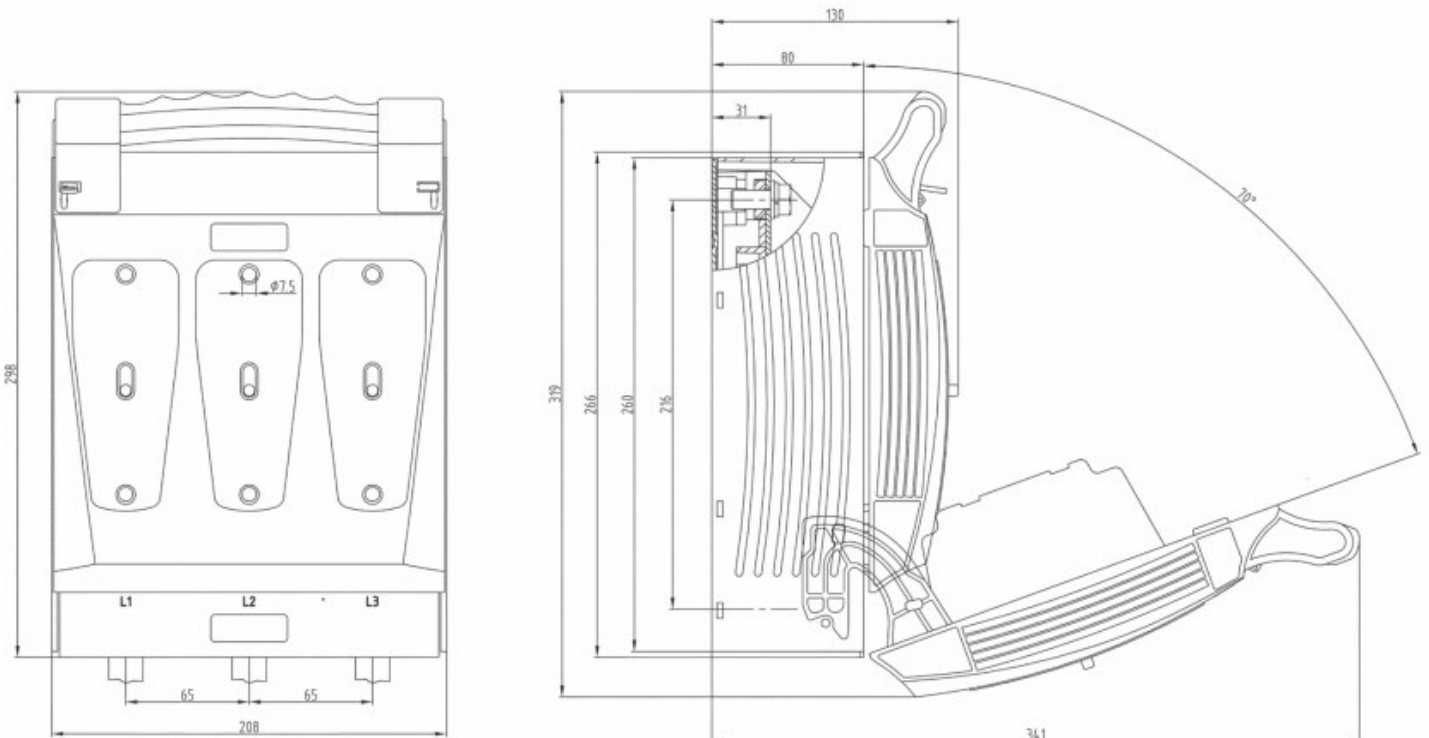
Max. Cross section of cable

	tightening torque
120 - 240mm ²	8 Nm



Assembly of the clamp clamp

Dimensions:



Accessories:



Item	kg/pc	unit	Item No.
Terminal compartment extension attachable	0,02	1	202148



Item	kg/pc	unit	Item No.
Clamp strap 120 - 240mm ² (1Set = 3 pieces)	0,25	1	201237



Item	kg/pc	unit	Item No.
Auxiliary switch for switch position	0,01	1	201852

NH-fuse links:

with non-isolated gripping lugs, double indicator, contact blades, complying with DIN VDI 0632-2 Operating class (gL) gG

Size 2 500~/440V-



Item	kg/pc	unit	Item No.
Size 2 50A	0,27	3	142650
Size 2 63A	0,27	3	142663
Size 2 80A	0,27	3	142680
Size 2 100A	0,27	3	142690
Size 2 125A	0,27	3	142691
Size 2 160A	0,27	3	142692
Size 2 200A	0,27	3	142693
Size 2 224A	0,27	3	142699
Size 2 250A	0,12	3	142694
Size 2 300A	0,61	3	142695
Size 2 315A	0,61	3	142696
Size 2 355A	0,61	3	142698
Size 2 400A	0,61	3	142697
NH-contact blades Size 2 (400A)	0,12	3	141712