



NH00-fuse switch disconnecter for panel mounting

Range KE

Size: 00 / 3-pole / 160A/690V

Wide of 108mm

IP degree of protection IP 20

Cover lock and lead sealing

integrated touch protection

for panel mounting

Auxiliary switch for the switch position - optional

Marker label

Silver plated contacts providing low power loss

Item	kg/pc	unit	Item No.
NH 00 AT, 3-pole with 6 clamp streps 4-70mm ²	0,70	1	203010
NH 00 AT, 3-pole with 6 terminal screws M8	0,70	1	203011

Approvals

IEC 60947-1
IEC 60947-3
HD 60269-2

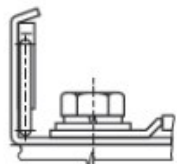
Elektrical data

Number of pole:	3			
Size of fuse links:	00			
Rated voltage U_N :	690V			
Rated insulation voltage U_i :	1000V			
Rated frequency:	50 ... 60 Hz			
Max. permis power loss per fuse-link:	12 W			
Total power loss at I_{th} (without fuse links):	12 W			
Rated impulse withstand voltage: U_{imp}	8000V			
Utilization category:	AC-23B	DC-22B	DC-21B	
Rated switching voltage U_e :	690V	250V	440V	
Rated switching current I_e :	160A	160A	160A	
Rated short circuit making current:	at 690V	80kA	20kA	20kA
	at 400V	100kA	20kA	20kA
Rated short circuit withstand current (with fuse protection):	at 690V	80kA	20kA	20kA
	at 400V	100kA	20kA	20kA

Mechanical data

IP degree of protection:	IP 20	
To be installed in the room free of any dust, aggressive or explosive gases.		
Ambient temperature::	-25°C bis +55°C	
Relative humidity of the air should not be higher than 50% at temperature +40°		
Field of application:	up to 2000m above the sea level	
Mechanical durability:	Number of cycles	1600
Electrical durability:	Number of cycles	200
Plastic:	fibre glass strengthened polyamide with halogen free flame retardant	
Fire classification:	V0	
Fitting:	mounting plate	

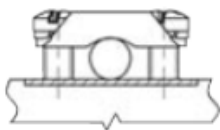
Cable terminal:



Terminal screw M8 x 16

Max. Querschnitt des Kabels mit Kabelschuh
Max. Cu bar width

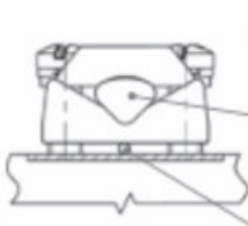
	Tightening torque
70mm ²	10 Nm
20mm	10 Nm



Clamp strips 2 x M5 x 16

Max. cross section

	Tightening torque
4 - 70mm ²	3 Nm



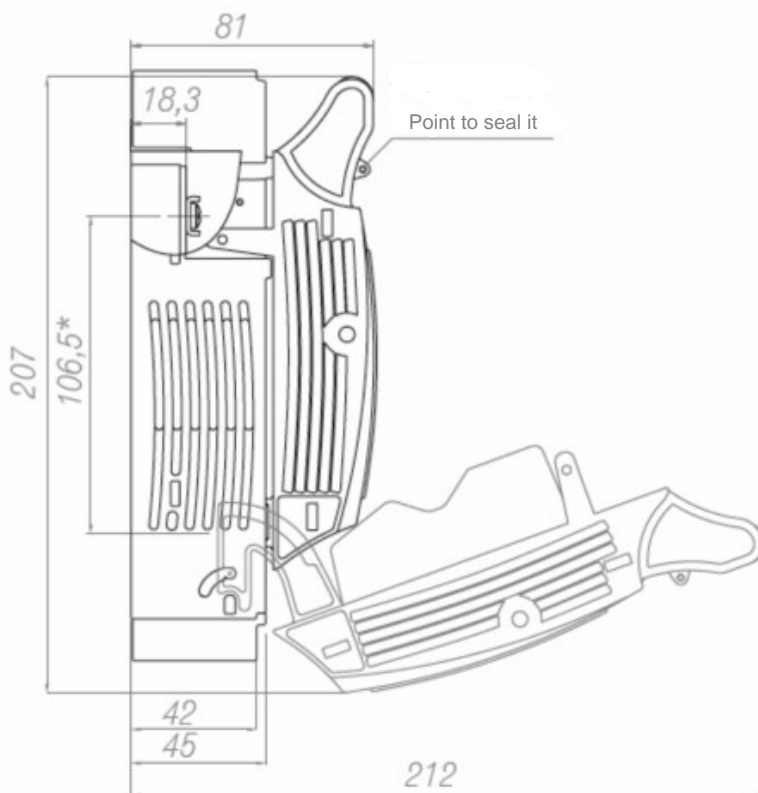
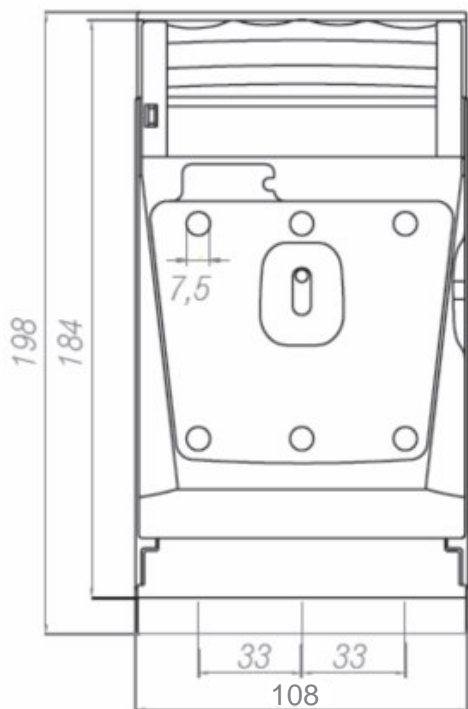
- 2) 4 mm² - 70 mm²
- 4 mm² - 95 mm²

V-shape clamp for AL/CU conductor (Accessories Item)

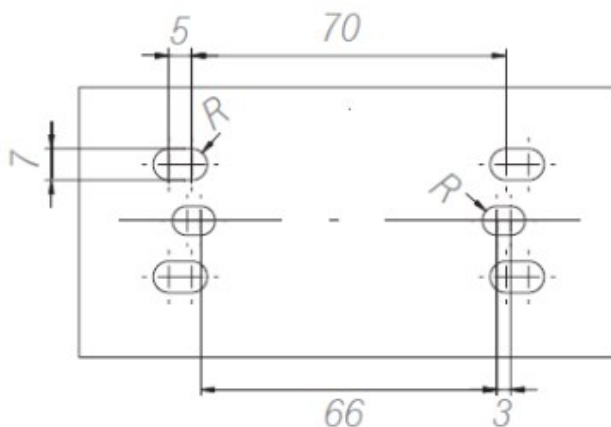
Tightening torque 3 Nm
Item No: 20 8053

- 1) 1,5 mm² - 2,5 mm²

Dimensions:



Dimensions for mountingholes:



Accessories:



Item	kg/pc	unit	Item No.
Terminal cover	0,02	1	200148



Item	kg/pc	unit	Item No.
125mm DIN-Rail mounting plate	kg/pc	unit	Item No.
Mounting plate 125mm + screws M5	0,01	1	200153



Item	kg/pc	unit	Item No.
150mm DIN-Rail mounting plate	kg/pc	unit	Item No.
Mounting plate 150mm + screws M5	0,01	1	200154



NH-fuse links:

with non-isolated gripping lugs, double indicator, contact blades, complying with DIN VDI 0632-2 Operating class (gL) gG
Size 000/00 500~/250V-

Item	kg/pc	unit	Item No.
Size 000 2A	0,12	3	140602
Size 000 4A	0,12	3	140604
Size 000 6A	0,12	3	140606
Size 000 10A	0,12	3	140610
Size 000 16A	0,12	9	140616
Size 000 20A	0,12	9	140620
Size 000 25A	0,12	9	140625
Size 000 32A	0,12	9	140632
Size 000 35A	0,12	9	140635
Size 000 40A	0,12	9	140640
Size 000 50A	0,12	9	140650
Size 000 63A	0,12	9	140663
Size 000 80A	0,12	9	140680
Size 000 100A	0,12	9	140690
Size 00 125A	0,12	3	140691
Size 00 160A	0,12	3	140692
NH-contact blades Size NH000 / 160A	0,12	9	141710