

# METAL ENCLOSURES

▶ wall mounted & floor installation

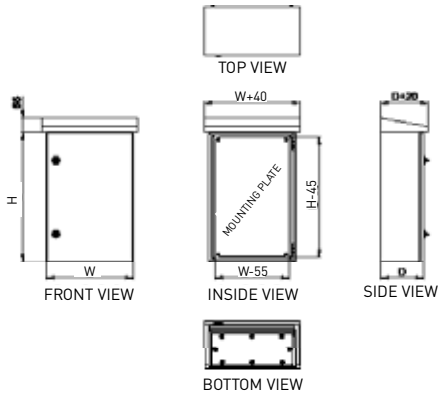


## Technical Characteristic

- Color, RAL 7035 Grey
- IP65 Protection
- Sheet Sheet 1,20 mm
- Foamed in Door Gasket
- Mounting Plate in Galvanized
- Bottom Flansh(Gland) Plate
- Hidden Hinges

### Wall Mounted

Code	Dimension (WxHxD)	Pack
CP 130	300 x 400 x 200	1
CP 131	400 x 500 x 200	1
CP 132	400 x 600 x 200	1
CP 133	500 x 700 x 200	1
CP 134	600 x 800 x 200	1
CP 135	600 x 1000 x 250	1



### For Floor Installation

Code	Dimension (WxHxD)	Pack
CP 150	400 x 650 x 200	1
CP 151	400 x 850 x 250	1
CP 152	500 x 650 x 250	1
CP 153	500 x 850 x 250	1
CP 154	500 x 1000 x 300	1
CP 155	600 x 850 x 300	1
CP 156	600 x 1050 x 300	1
CP 157	600 x 1250 x 300	1
CP 161	700 x 1050 x 300	1
CP 162	700 x 1250 x 400	1
CP 167	800 x 1250 x 400	1

