

A SERIES CATALOG



Cetinkaya Pano has been established in 1979. It continues its activities in the electricity sector by aiming to grow and develop from the first day on this path that it started with the motto "We produce for Turkey and the World". Quickly responds to the demands of its customers with production in the modern facility of 55,000 m² in Kır a , Istanbul. Successfully producing many prestigious products for domestic and foreign markets. By following the trends and technological developments in the world, increasing its R&D investments, and contributing to the progress of the sector at the same time, Cetinkaya Pano always develops its production and marketing activities in line with expectations.

We become a solution partner for your project with our expert engineers...

Cetinkaya Pano produces special solutions for your projects with its engineers who are experts in their fields. By increasing its R&D investments, it continuously improves the quality process and invests in certification. Today, with more than 400 employees and exporting to more than 100 countries, it continues to invest in its brand and develop the sector at the same time.

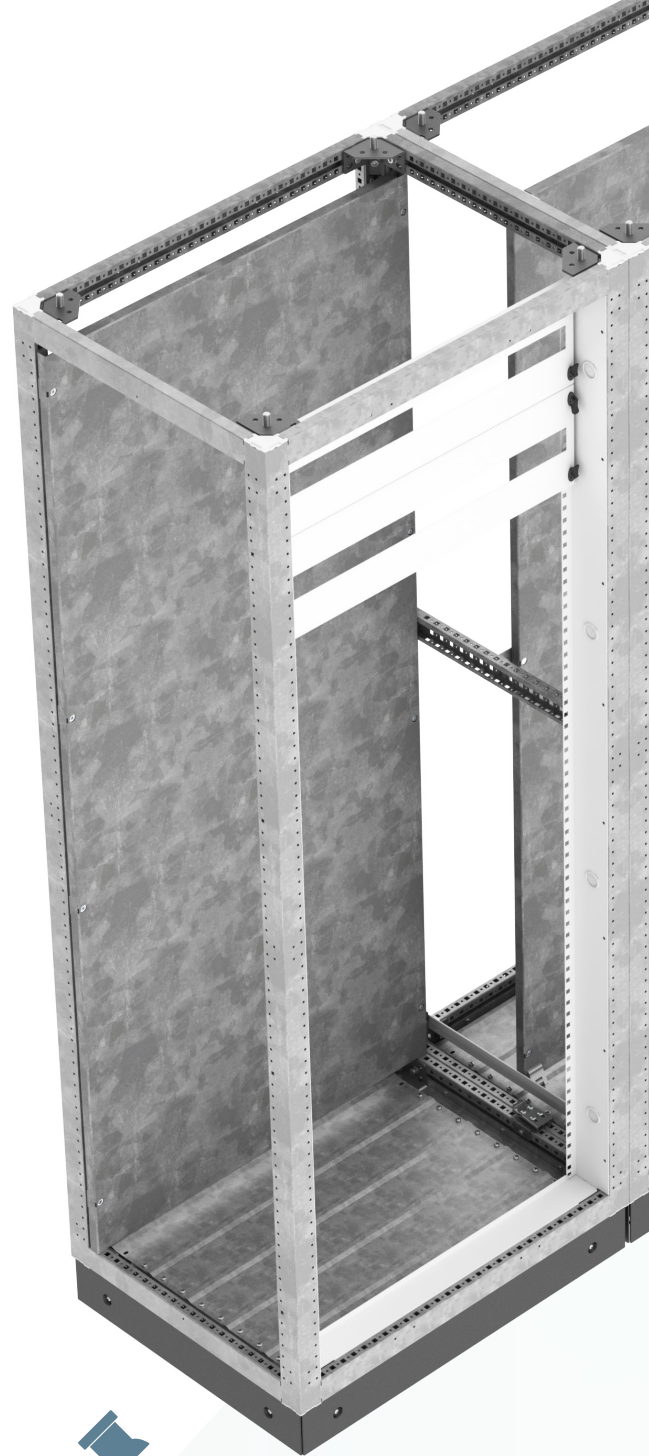


INDEX

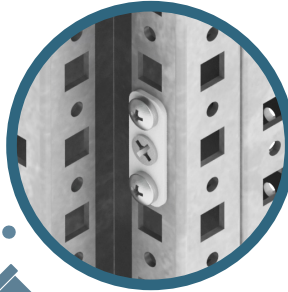
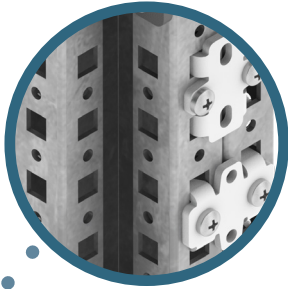
- | | | | |
|--------------|--|--------------|---|
| 4-5 | Introduction | 31 | UHT - Roof Ventilation Set |
| 6-7 | List Of Components | 32-33 | OKT - Front Door Set |
| 8 | External Dimensions | 34-35 | OKB - Overlapping Door Set |
| 9 | Internal Dimensions | 38-39 | Ventilation / Air Conditions |
| 10 | PST -Enclosure Set | 40-41 | Ventilation / Roof Fans |
| 11 | DPT - Vertical Profile Set | 42-43 | Ventilation / Fan Filters |
| 12 | UKT - Roof Panel Set | 44-45 | Ventilation / Filters |
| 13 | SKT - Side Panel Set | 46 | Ventilation / Thermostats / Heaters |
| 14 | BZT - Plinth Set | 47 | Accessories |
| 15 | AOT - Bottom Plate Set | 48-49 | Ventilation / Accessories |
| 16 | MPT - Mounting Plate Set | 50-53 | Ventilation / Fans |
| 17 | MAT - Middle Connection
Plate Set | 54 | Wiring Ducts |
| 18-19 | OTT - Automation Mounting
Plate Set | 57-58 | A-CPD Curved Safety Glass Door
Cabinets (Surface Mounting) |
| 20 | YBT - Horizontal Splitting Set | 59-60 | A-CPD Curved Safety Glass Door
Cabinets (Flush Mounting) |
| 21 | DBT - Vertical Splitting Set | 61 | A- E Series Metal Enclosures |
| 22 | PPT - Cover Plate Mounting | 62-63 | A - KM Series Control Panels |
| 23 | PWT- PRT- Cover Plate Set | 64 | A - BT Series Terminal Push
Button & Junction Boxes |
| 24-29 | Internal Mounting Accessories | 65 | Loading Information |
| 30 | LPT- Laptop Table | | |

- New Plinth Set
- New Bottom Plate Set
- IK 10
- IP 55 and IP 41 Protection Levels
- New Enclosure Connection Set
- 2mm Galvanized Metal Framework
- New Mounting Plate Specially designed for Automation
- New Cover Plate Lock System**
- Improved Tightness Design
- New Corner and Framework Design**
- Plinth Set RAL 9005 Epoxy Polyester Electrostatic Powder Paint
- Door and All Panels RAL 7035 Epoxy Polyester Electrostatic Powder Paint
- Modular Shipment

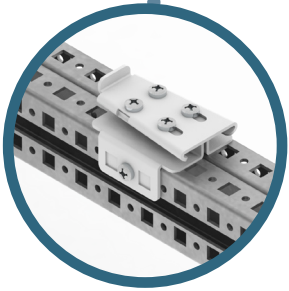
A SERIES GENERAL INFORMATION



Enclosure Connection System (with Nails)



Enclosure Connection System (with Pin)



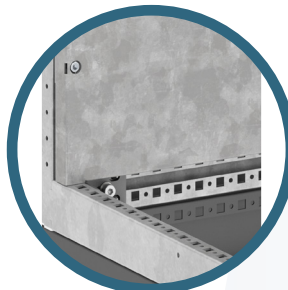
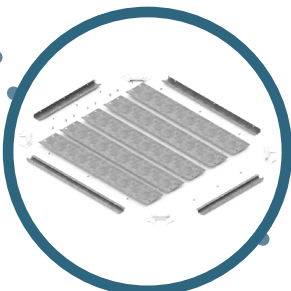
Enclosure Connection System (with Inner-Pulling System - CP Special)



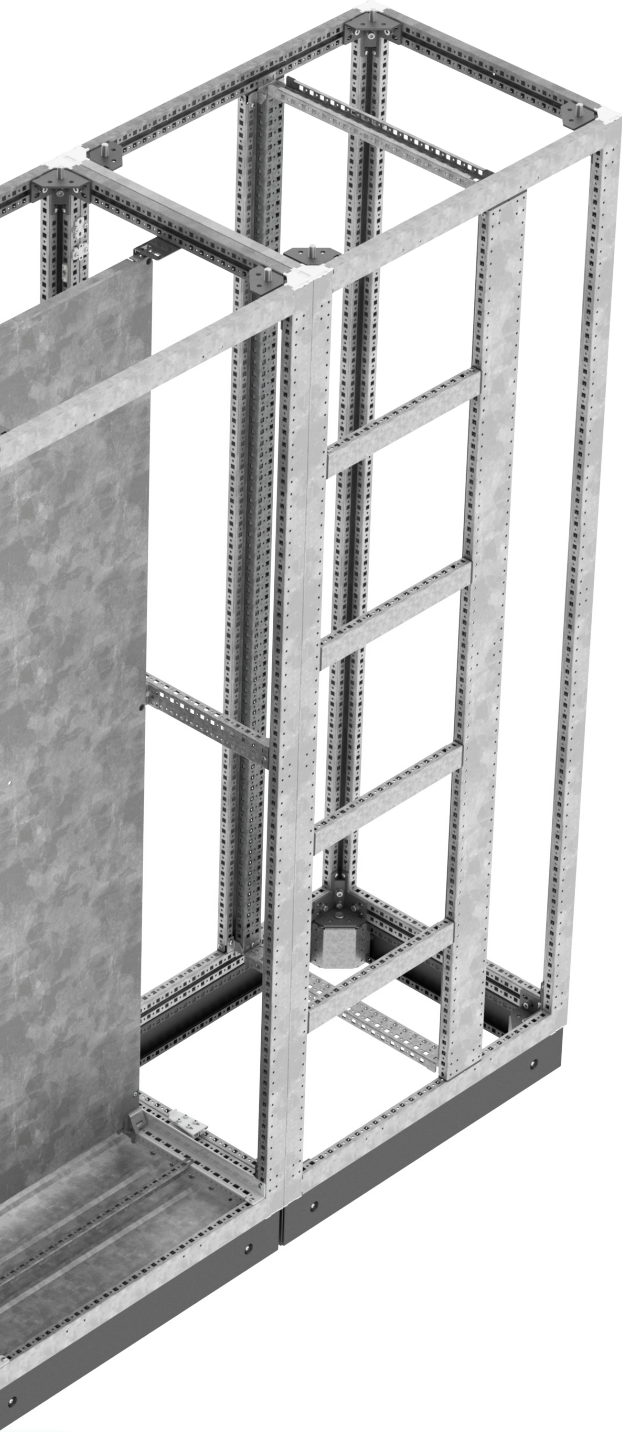
New Cover Plate Lock System (Easy Connect and Disconnect)



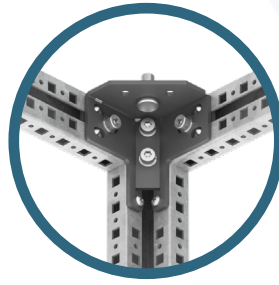
New Bottom Plate Set (Can be added to enclosure anytime.)



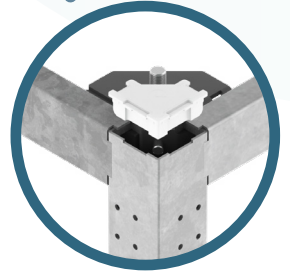
Special Mounting Plate for Automation (with more space from bottom - top and sideways)



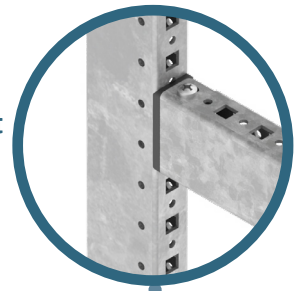
New Corner Connection Part, 4mm thickness for much stronger and usefull for all sizes. (Patent owned by Cetinkaya Pano)



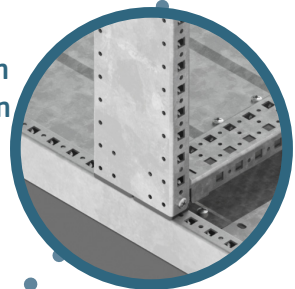
Vertical Profile Set - Top Stopper For much higher sealing.



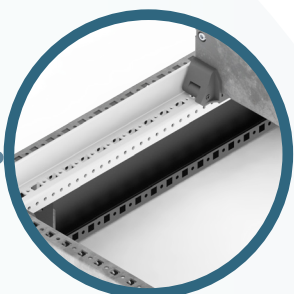
Horizontal Profile Set - Side Gasket for higher protection at the point of connect



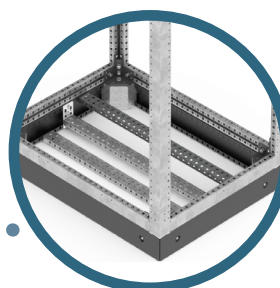
Vertical Profile Set - Bottom Gasket for higher protection at the point of connect.



Rail & Wheel, easy installation for Mounting Plate

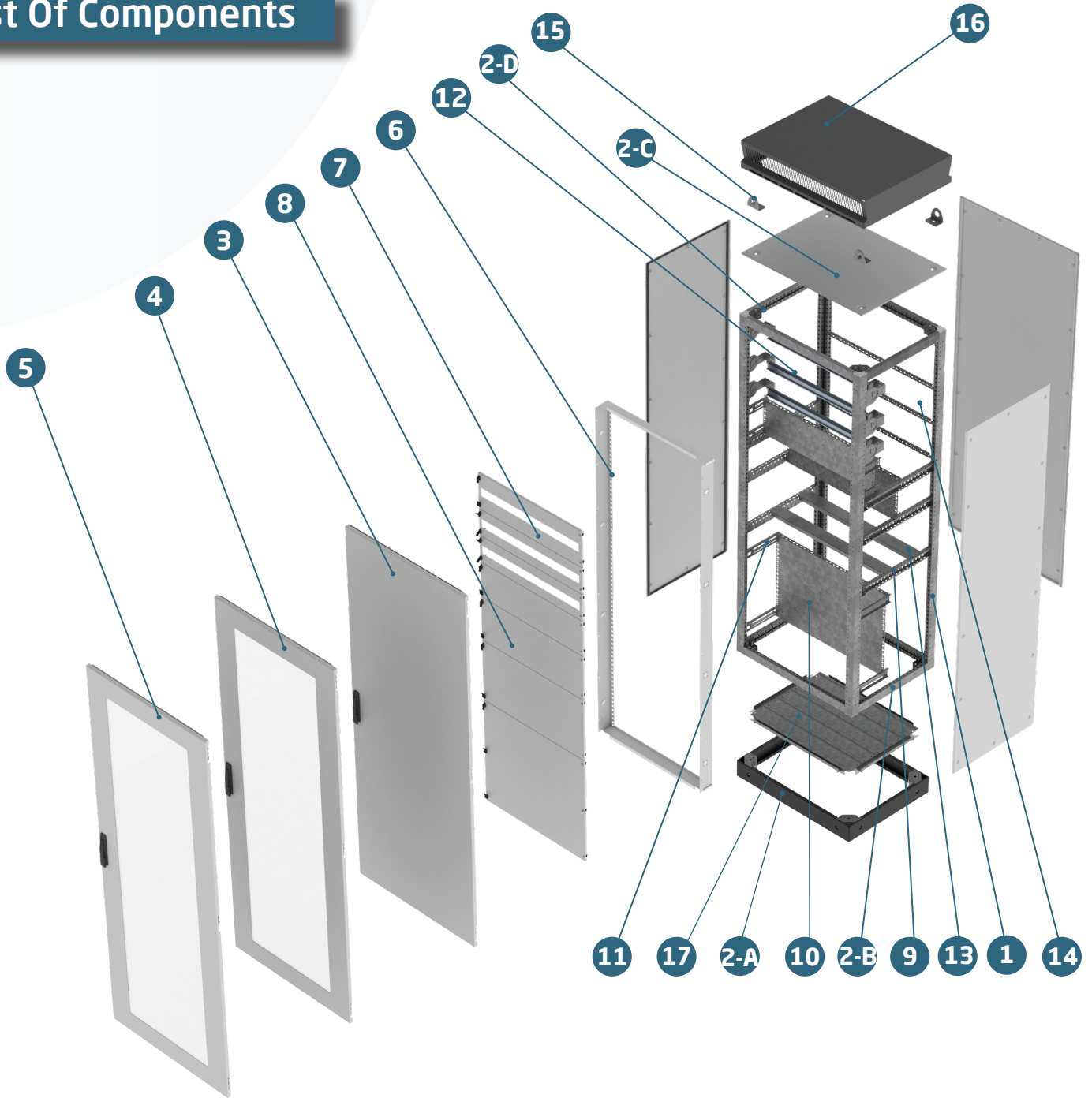


Vertical Profile Set - Bottom Gasket for higher protection at the point of connect.



Helps easier cable entrance from under plinth.

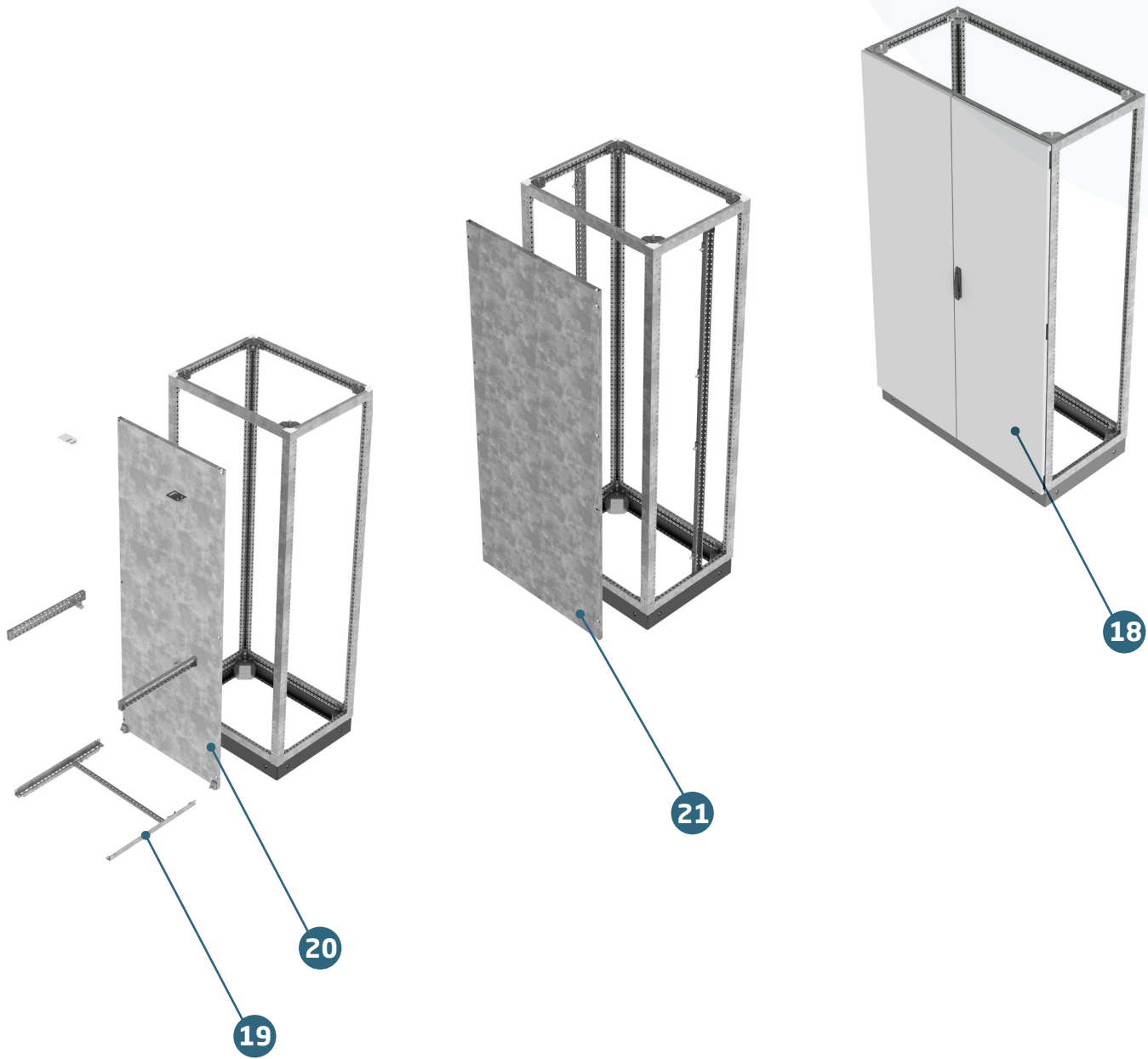
List Of Components



LIST OF COMPONENTS

NO	ORDER CODE	DESCRIPTION	NO	ORDER CODE	DESCRIPTION
1	DPT	VERTICAL PROFILE SET	6	PPT	COVER PLATE RAIL SET
2	PST	ENCLOSURE SET	7	PWT	COVER PLATE SET for MCCB
2-A	BZT	PLINTH SET	8	PRT	COVER PLATE SET
2-B	YPT	HORIZONTAL PROFILE SET	9	TPT	FRAMEWORK
2-C	UKT	TOP PANEL SET	10	PMT	PARTIAL MOUNTING PLATE SET
2-D	KST	CORNET FIXING SET	11	DAT	DEPTH ADJUSTMENT FIXING SET
3	OKT.D	FRONT DOOR	12	RAT	RAIL FIXING SET
4	OKT.T	SAFETY GLASS FRONT DOOR	13	AET	HEAVY COMPONENT FIXING SET
5	OKT.P	POLYCARBONATE GLASS FRONT DOOR	14	KIT	CABLE CARRIER SET

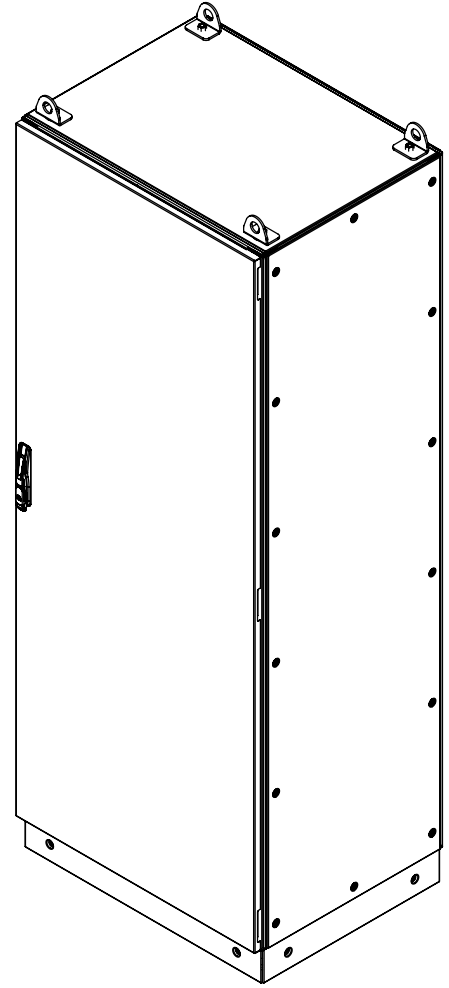
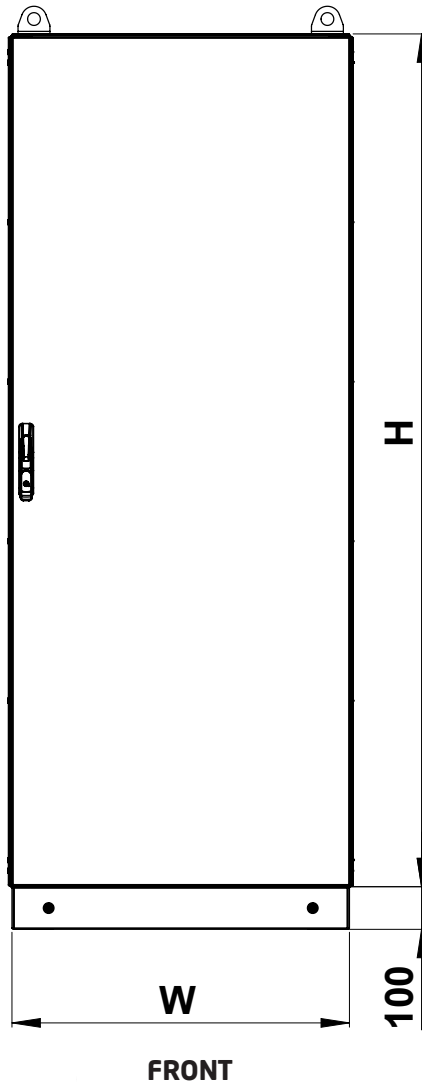
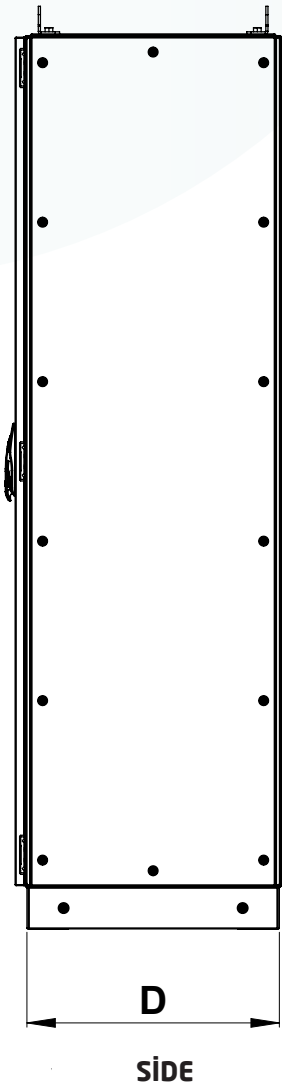
List Of Components



LIST OF COMPONENTS

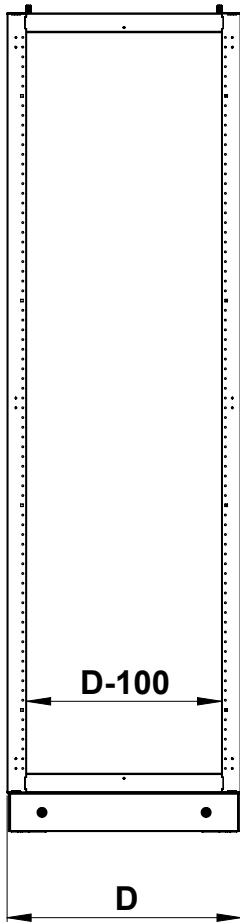
NO	ORDER CODE	DESCRIPTION
15	ATT	TRANSPORT LUG SET
16	UHT	UPPER VENTILATION SET
17	AOT	BOTTOM PANEL SET
18	OKB	OVERLAPPING DOOR SET
19	MPR	MOUNTING PLATE RAIL SET
20	MPT	MOUNTING PLATE
21	OTT	AUTOMATION MOUNTING PLATE

External Dimensions

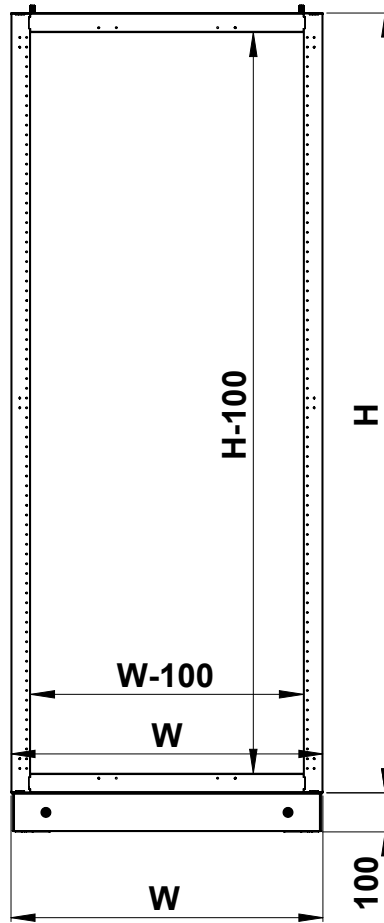


GENERAL SIZES		
W	H	D
400	1600	400
500	1800	500
600	2000	600
700	2200	700
800		800
900		
1000		
1200		

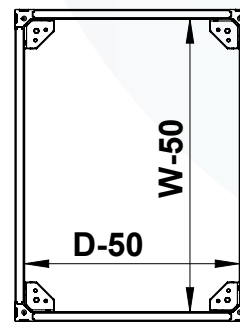
External Dimensions



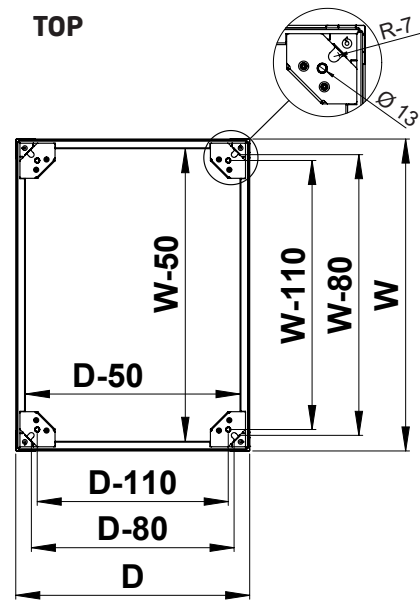
SIDE



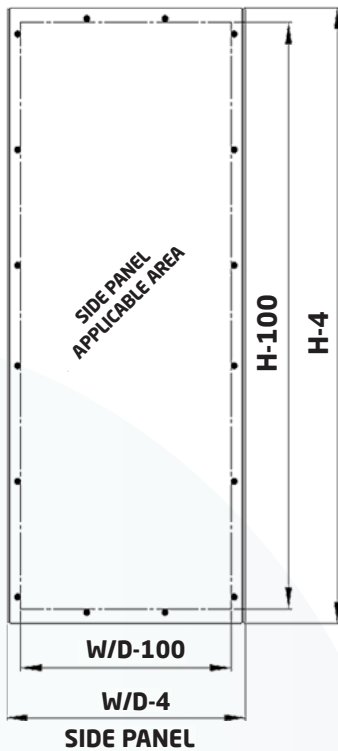
FRONT



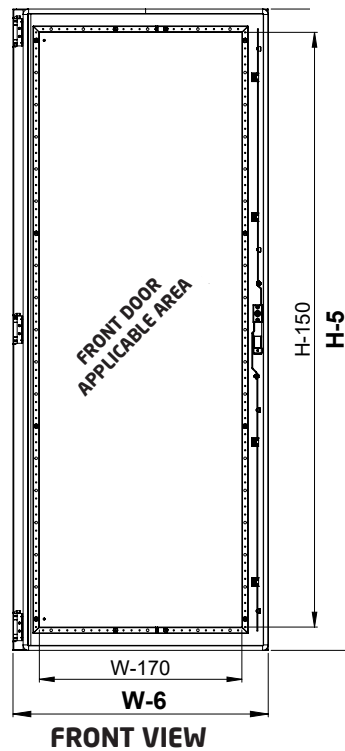
TOP



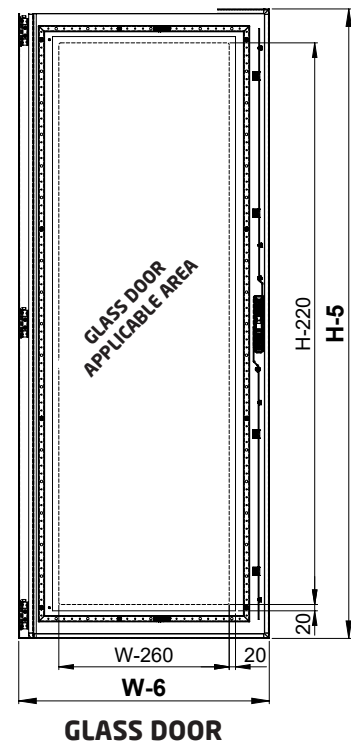
PLINTH BOTTOM VIEW



SIDE PANEL



FRONT VIEW

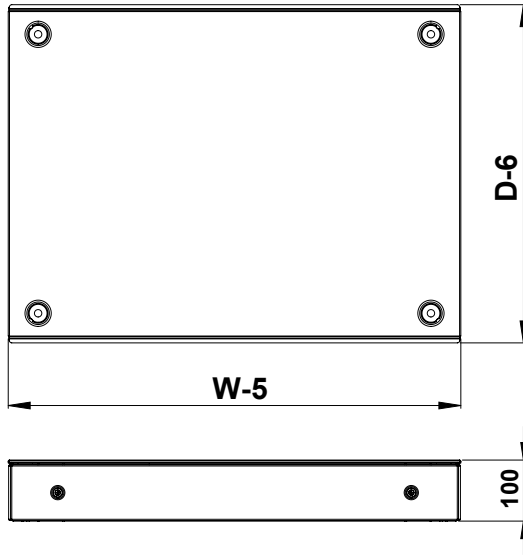
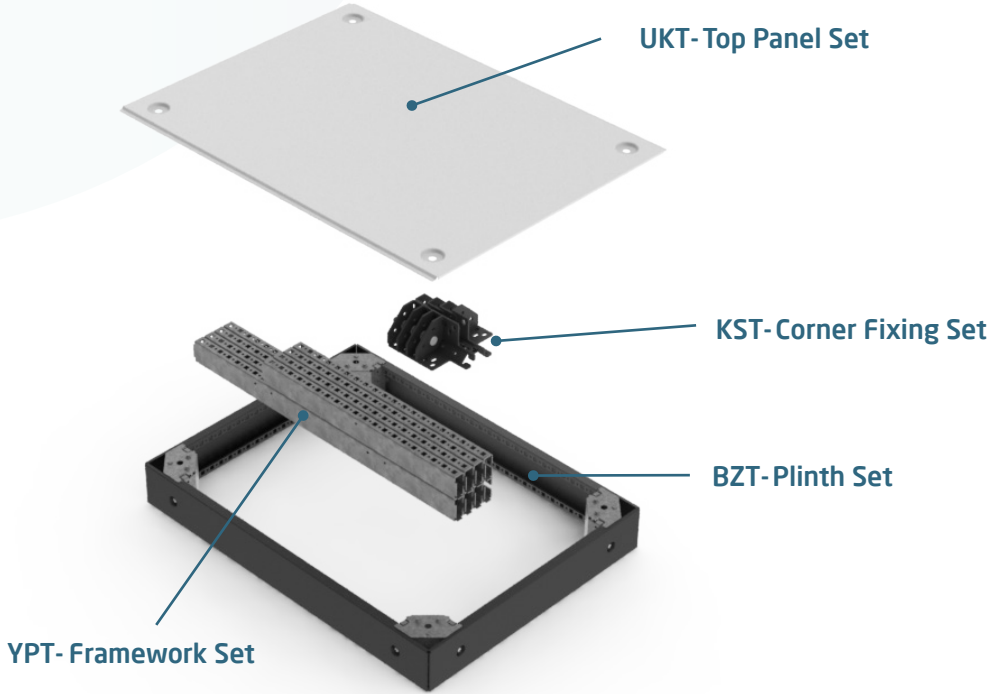


GLASS DOOR

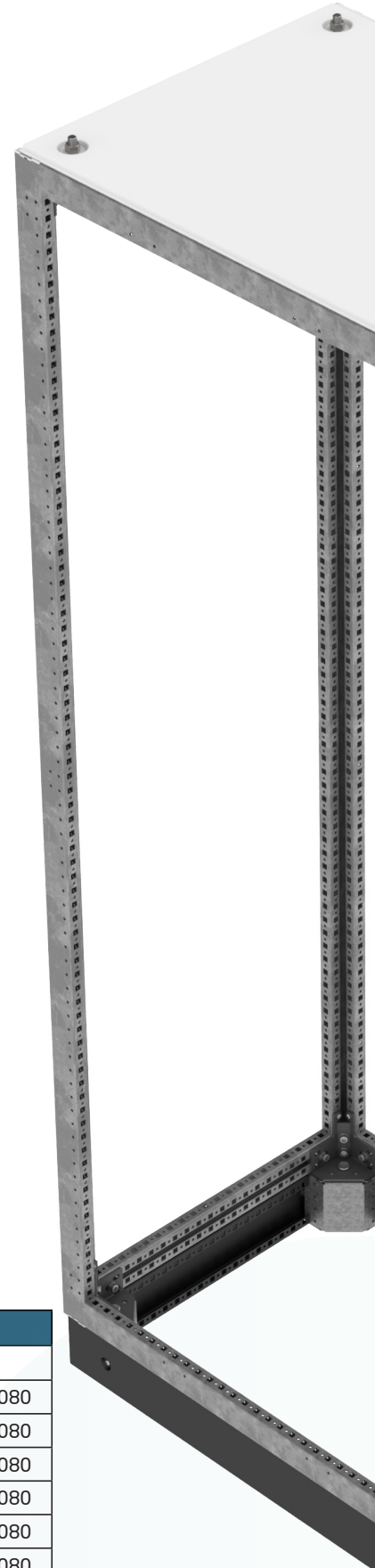
PST - Enclosure Set



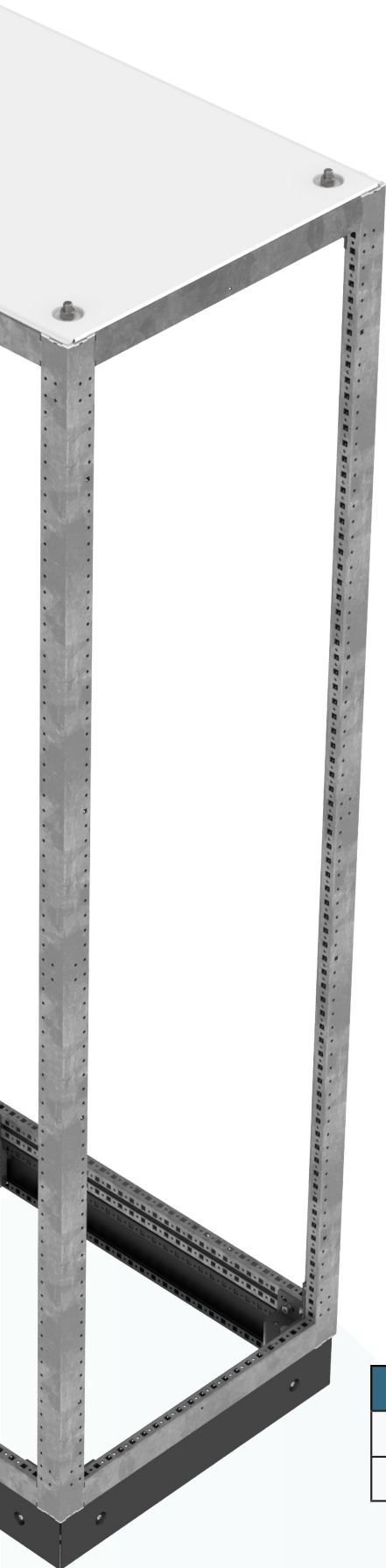
Enclosure Set includes Top Panel Set, Plinth Set, Framework set and Corner Fixing Set.



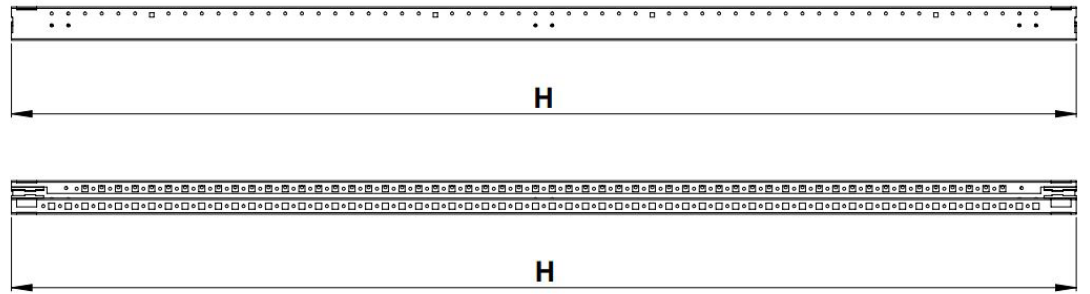
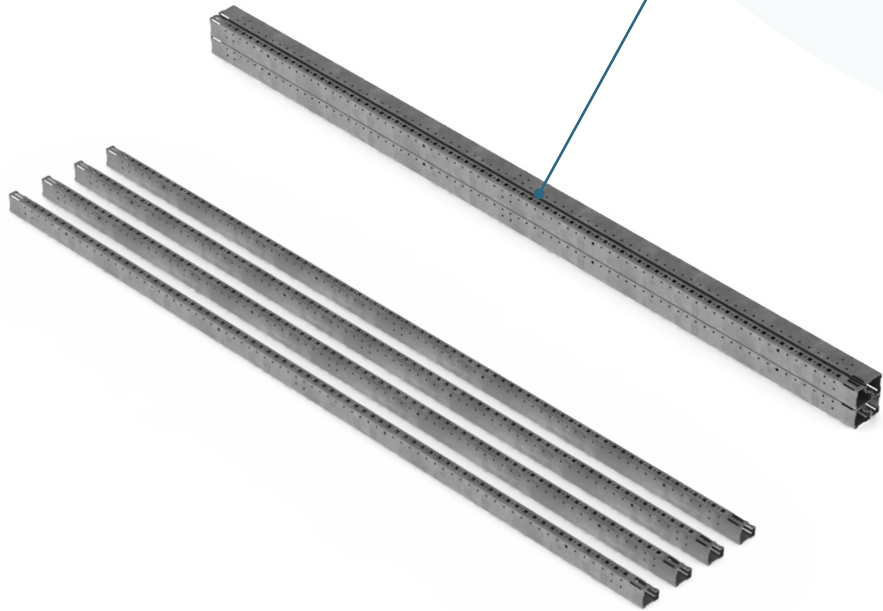
PST (ENCLOSURE SET) SIZES					
W \ D	400	500	600	700	800
400	01.T.PST.M.4040	01.T.PST.M.4050	01.T.PST.M.4060	01.T.PST.M.4070	01.T.PST.M.4080
500	01.T.PST.M.5040	01.T.PST.M.5050	01.T.PST.M.5060	01.T.PST.M.5070	01.T.PST.M.5080
600	01.T.PST.M.6040	01.T.PST.M.6050	01.T.PST.M.6060	01.T.PST.M.6070	01.T.PST.M.6080
700	01.T.PST.M.7040	01.T.PST.M.7050	01.T.PST.M.7060	01.T.PST.M.7070	01.T.PST.M.7080
800	01.T.PST.M.8040	01.T.PST.M.8050	01.T.PST.M.8060	01.T.PST.M.8070	01.T.PST.M.8080
900	01.T.PST.M.9040	01.T.PST.M.9050	01.T.PST.M.9060	01.T.PST.M.9070	01.T.PST.M.9080
1000	01.T.PST.M.10040	01.T.PST.M.10050	01.T.PST.M.10060	01.T.PST.M.10070	01.T.PST.M.10080
1200	01.T.PST.M.12040	01.T.PST.M.12050	01.T.PST.M.12060	01.T.PST.M.12070	01.T.PST.M.12080



DPT - Vertical Profile Set

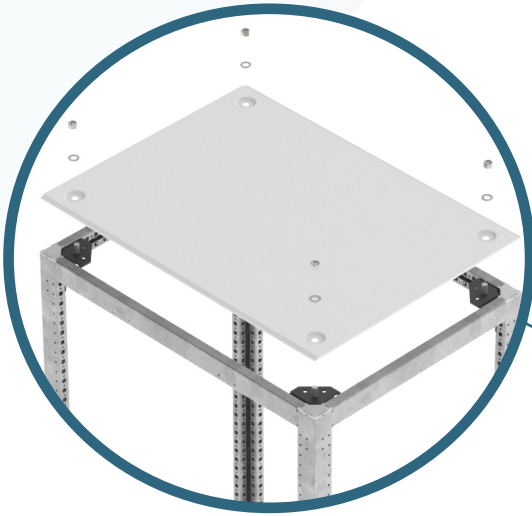


DPT- Vertical Profile Set

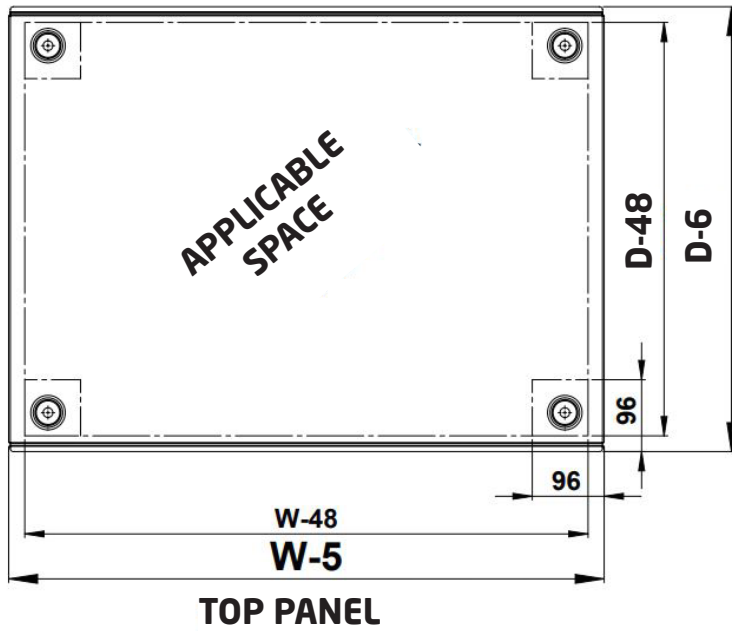


DPT (VERTICAL PROFILE SET) SIZES				
H	1600	1800	2000	2200
ORDER CODE	01.A.DPT.M.160	01.A.DPT.M.180	01.A.DPT.M.200	01.A.DPT.M.220

UKT - Top Panel Set



UKT- Top Panel Set
Fixings



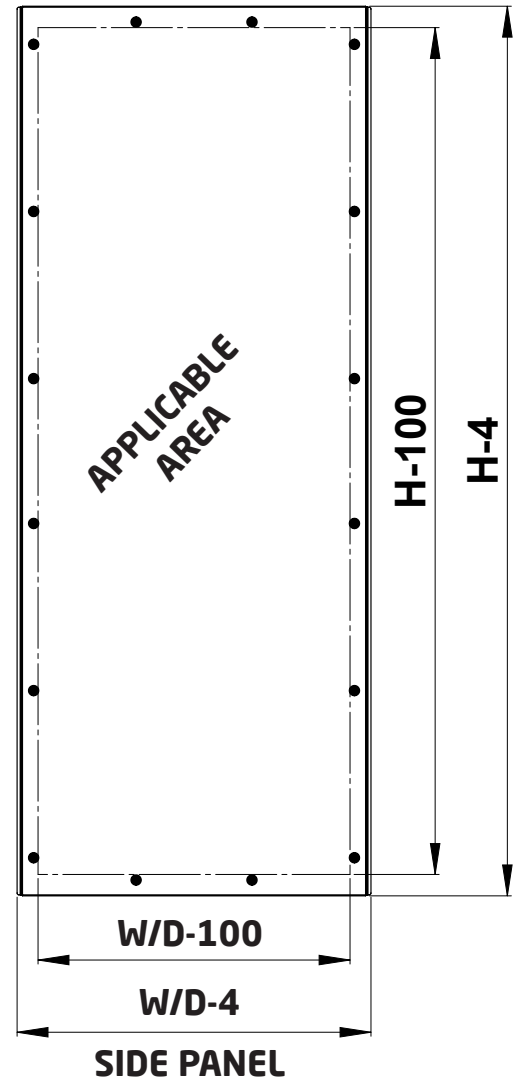
UKT (TOP PANEL SET) SIZES					
W \ D	400	500	600	700	800
400	01.A.UKT.M.4040	01.A.UKT.M.4050	01.A.UKT.M.4060	01.A.UKT.M.4070	01.A.UKT.M.4080
500	01.A.UKT.M.5040	01.A.UKT.M.5050	01.A.UKT.M.5060	01.A.UKT.M.5070	01.A.UKT.M.5080
600	01.A.UKT.M.6040	01.A.UKT.M.6050	01.A.UKT.M.6060	01.A.UKT.M.6070	01.A.UKT.M.6080
700	01.A.UKT.M.7040	01.A.UKT.M.7050	01.A.UKT.M.7060	01.A.UKT.M.7070	01.A.UKT.M.7080
800	01.A.UKT.M.8040	01.A.UKT.M.8050	01.A.UKT.M.8060	01.A.UKT.M.8070	01.A.UKT.M.8070
900	01.A.UKT.M.9040	01.A.UKT.M.9050	01.A.UKT.M.9060	01.A.UKT.M.9070	01.A.UKT.M.9080
1000	01.A.UKT.M.10040	01.A.UKT.M.10050	01.A.UKT.M.10060	01.A.UKT.M.10070	01.A.UKT.M.10080
1200	01.A.UKT.M.12040	01.A.UKT.M.12050	01.A.UKT.M.12060	01.A.UKT.M.12070	01.A.UKT.M.12080



SKT - Side Panel Set



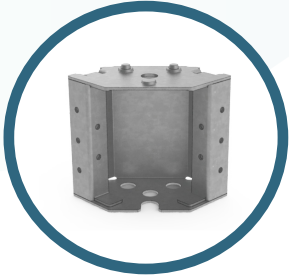
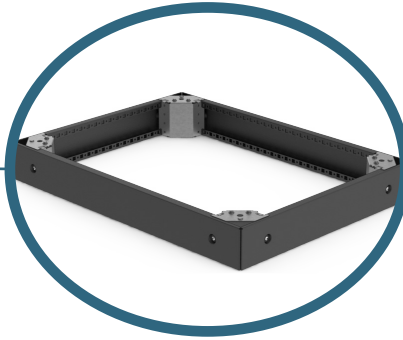
SKT-Side Panel Set Fixings



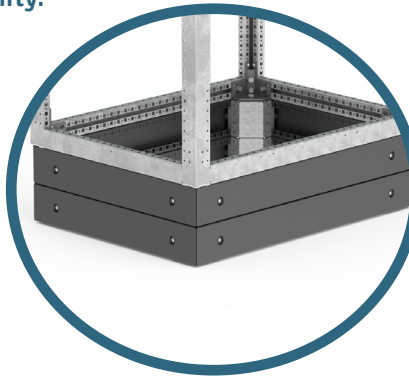
SKT (SIDE PANEL SET) SIZES						
H \ W	400	500	600	700	800	
1600	01.A.SKT.M.40160	01.A.SKT.M.50160	01.A.SKT.M.60160	01.A.SKT.M.70160	01.A.SKT.M.80160	
1800	01.A.SKT.M.40180	01.A.SKT.M.50180	01.A.SKT.M.60180	01.A.SKT.M.70180	01.A.SKT.M.80180	
2000	01.A.SKT.M.40200	01.A.SKT.M.50200	01.A.SKT.M.60200	01.A.SKT.M.70200	01.A.SKT.M.80200	
2200	01.A.SKT.M.40220	01.A.SKT.M.50220	01.A.SKT.M.60220	01.A.SKT.M.70220	01.A.SKT.M.80220	

BZT - Plinth Set

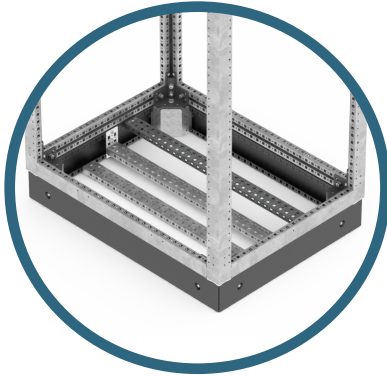
BZT - Plinth Set



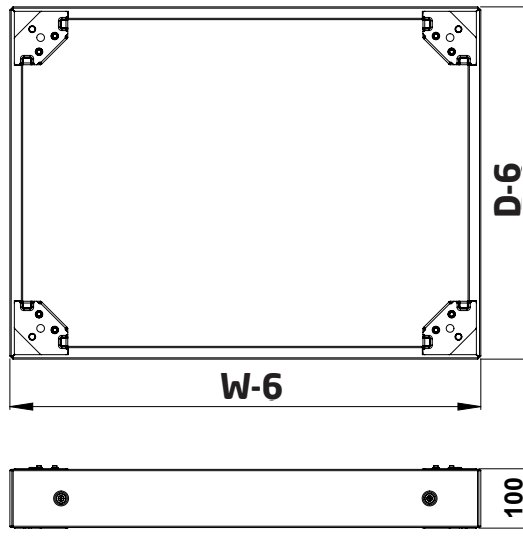
Robustness with centering pin,
exterior facing design
increases accessibility.



Can be mounted
on top of each other

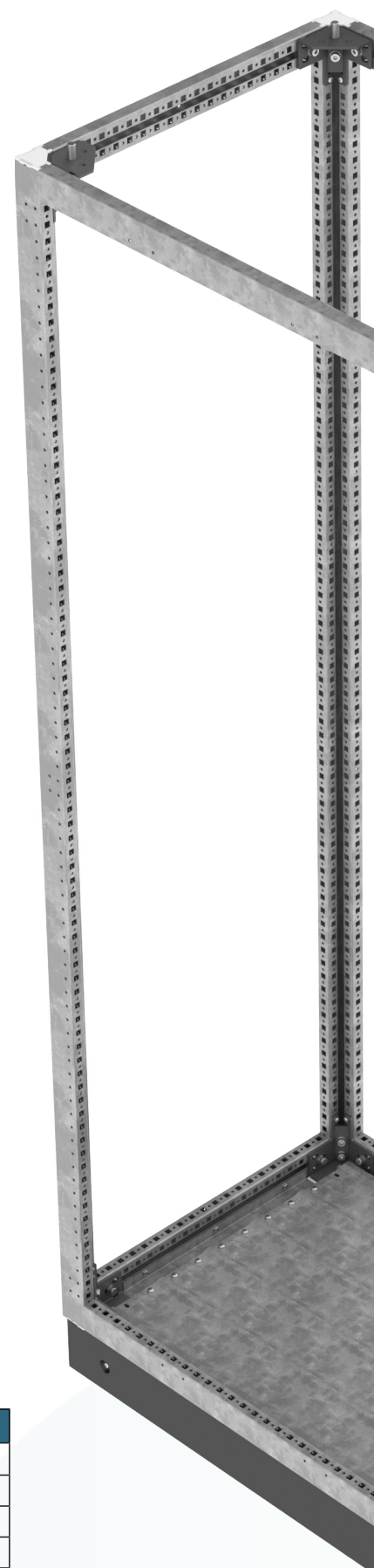


Increased accessibility for more cable
management with new bottom plate set.

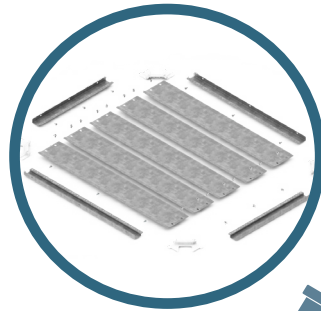
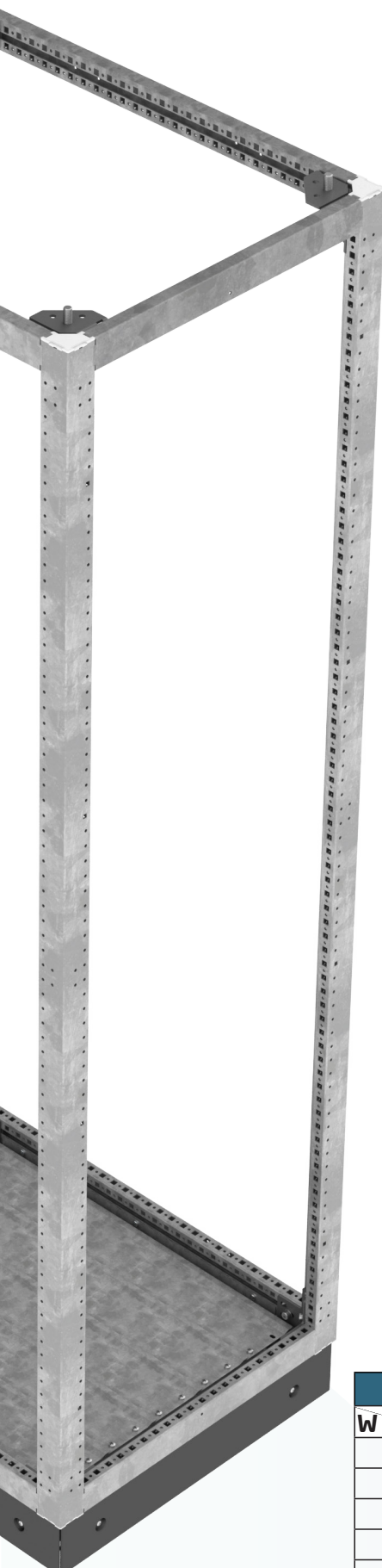


BZT (PLINTH SET) SIZES

W \ D	400	500	600	700	800
400	01.T.BZT.M.4040	01.T.BZT.M.4050	01.T.BZT.M.4060	01.T.BZT.M.4070	01.T.BZT.M.4080
500	01.T.BZT.M.5040	01.T.BZT.M.5050	01.T.BZT.M.5060	01.T.BZT.M.5070	01.T.BZT.M.5080
600	01.T.BZT.M.6040	01.T.BZT.M.6050	01.T.BZT.M.6060	01.T.BZT.M.6070	01.T.BZT.M.6080
700	01.T.BZT.M.7040	01.T.BZT.M.7050	01.T.BZT.M.7060	01.T.BZT.M.7070	01.T.BZT.M.7080
800	01.T.BZT.M.8040	01.T.BZT.M.8050	01.T.BZT.M.8060	01.T.BZT.M.8070	01.T.BZT.M.8070
900	01.T.BZT.M.9040	01.T.BZT.M.9050	01.T.BZT.M.9060	01.T.BZT.M.9070	01.T.BZT.M.9080
1000	01.T.BZT.M.10040	01.T.BZT.M.10050	01.T.BZT.M.10060	01.T.BZT.M.10070	01.T.BZT.M.10080
1200	01.T.BZT.M.12040	01.T.BZT.M.12050	01.T.BZT.M.12060	01.T.BZT.M.12070	01.T.BZT.M.12080

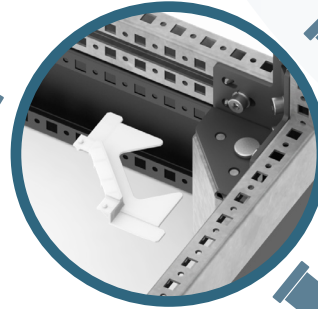


AOT - Bottom Plate Set

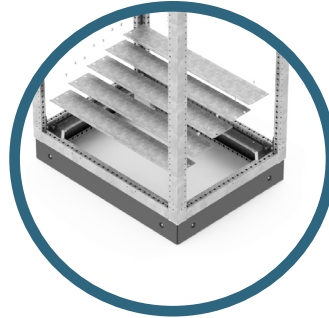


AOT-Bottom Plate Set

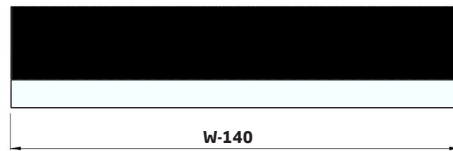
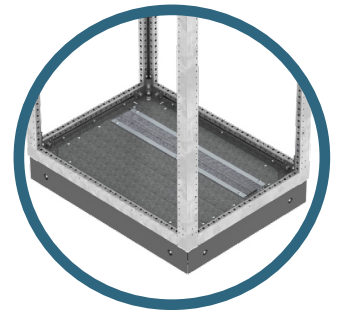
Bottom plate rail and itself can be put on enclosure anytime.



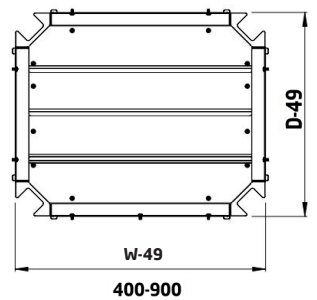
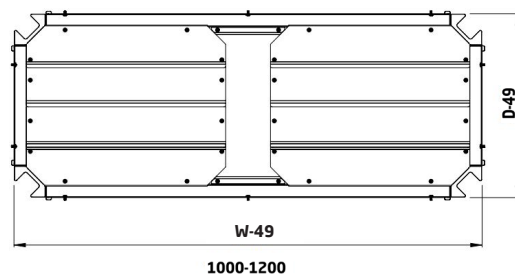
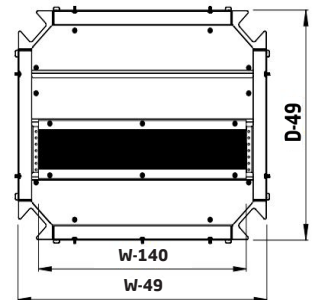
Bottom Plate Corner Plastic can be attached after assembly.



Bottom Plate Brushes can be added after assembly.

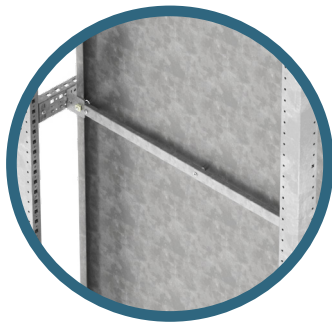
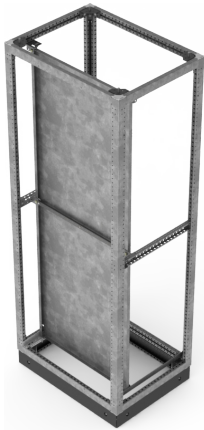
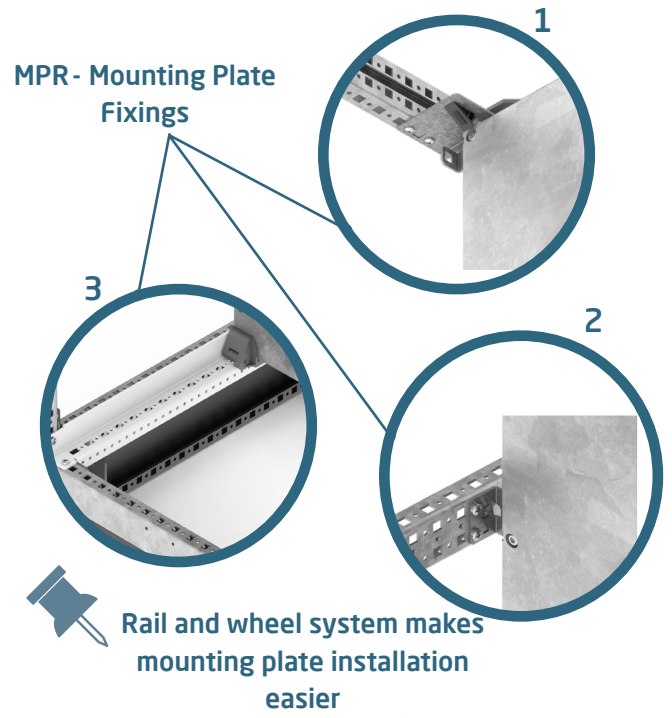
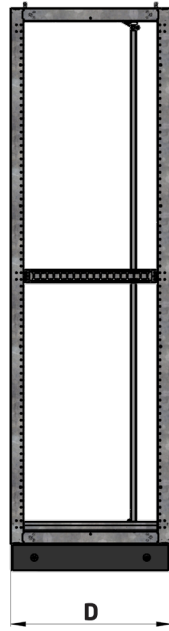
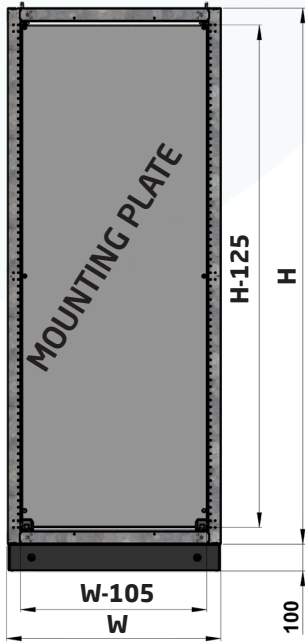


BRUSH SET	
W	ORDER CODE
400	01.T.FRC.M.40
500	01.T.FRC.M.50
600	01.T.FRC.M.60
700	01.T.FRC.M.70
800	01.T.FRC.M.80
900	01.T.FRC.M.90

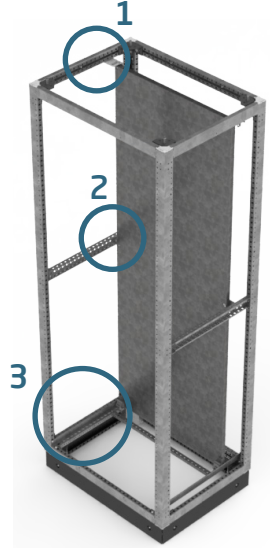


AOT (BOTTOM PLATE SET) SIZES						
W	D	400	500	600	700	800
400		01.A.AOT.M.4040	01.A.AOT.M.4050	01.A.AOT.M.4060	01.A.AOT.M.4070	01.A.AOT.M.4080
500		01.A.AOT.M.5040	01.A.AOT.M.5050	01.A.AOT.M.5060	01.A.AOT.M.5070	01.A.AOT.M.5080
600		01.A.AOT.M.6040	01.A.AOT.M.6050	01.A.AOT.M.6060	01.A.AOT.M.6070	01.A.AOT.M.6080
700		01.A.AOT.M.7040	01.A.AOT.M.7050	01.A.AOT.M.7060	01.A.AOT.M.7070	01.A.AOT.M.7080
800		01.A.AOT.M.8040	01.A.AOT.M.8050	01.A.AOT.M.8060	01.A.AOT.M.8070	01.A.AOT.M.8070
900		01.A.AOT.M.9040	01.A.AOT.M.9050	01.A.AOT.M.9060	01.A.AOT.M.9070	01.A.AOT.M.9080
1000		01.A.AOT.M.10040	01.A.AOT.M.10050	01.A.AOT.M.10060	01.A.AOT.M.10070	01.A.AOT.M.10080
1200		01.A.AOT.M.12040	01.A.AOT.M.12050	01.A.AOT.M.12060	01.A.AOT.M.12070	01.A.AOT.M.12080

MPT - Mounting Plate Set



Supportive profile will be added over 900mm width mounting plates.



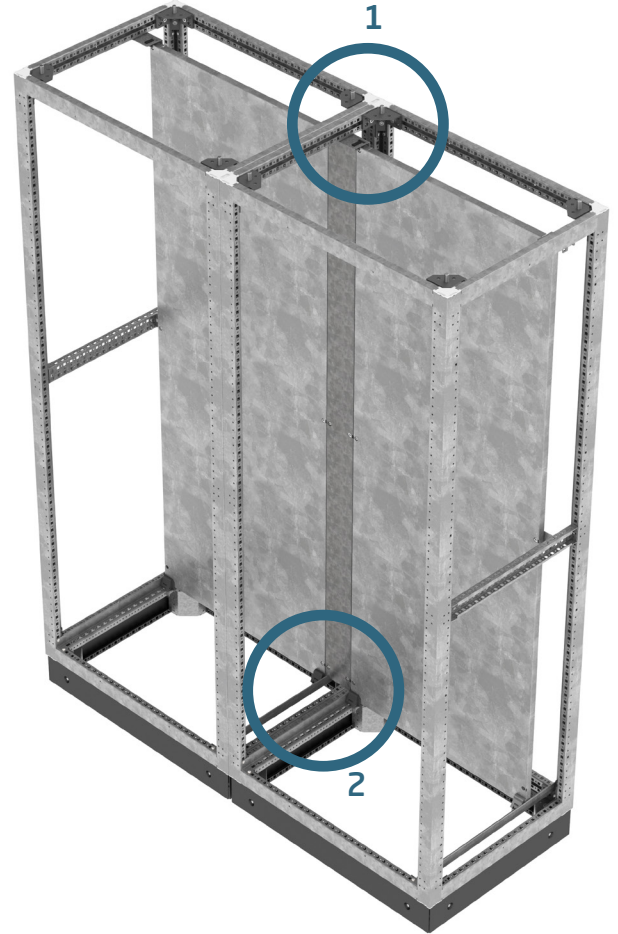
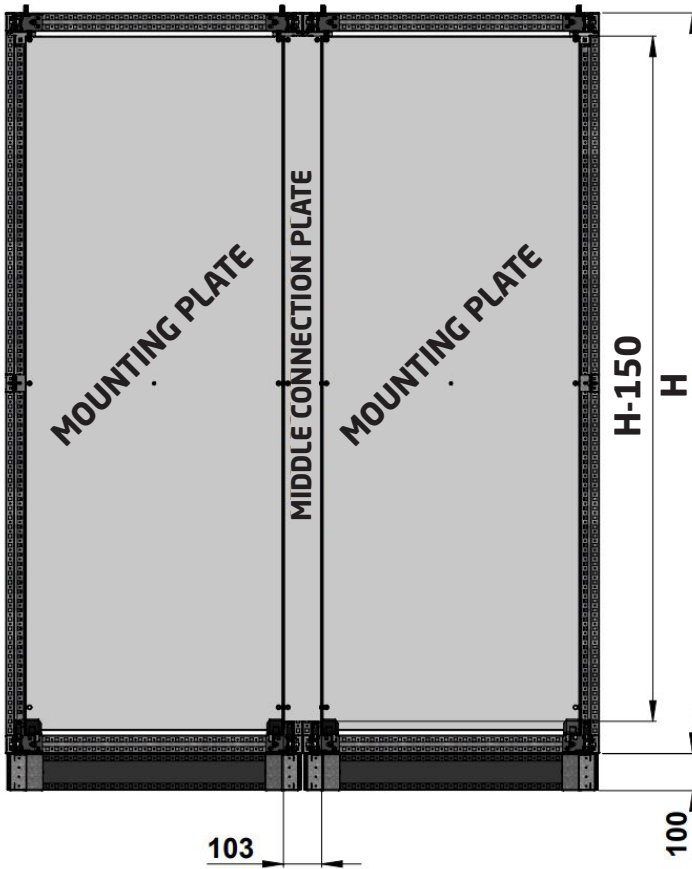
MPT (MOUNTING PLATE SET) SIZES

W \ H	1600	1800	2000	2200
400	01.A.MPT.M.40160	01.A.MPT.M.40180	01.A.MPT.M.40200	01.A.MPT.M.40220
500	01.A.MPT.M.50160	01.A.MPT.M.50180	01.A.MPT.M.50200	01.A.MPT.M.50220
600	01.A.MPT.M.60160	01.A.MPT.M.60180	01.A.MPT.M.60200	01.A.MPT.M.60220
700	01.A.MPT.M.70160	01.A.MPT.M.70180	01.A.MPT.M.70200	01.A.MPT.M.70220
800	01.A.MPT.M.80160	01.A.MPT.M.80180	01.A.MPT.M.80200	01.A.MPT.M.80220
900	01.A.MPT.M.90160	01.A.MPT.M.90180	01.A.MPT.M.90200	01.A.MPT.M.90220
1000	01.A.MPT.M.100160	01.A.MPT.M.100180	01.A.MPT.M.100200	01.A.MPT.M.100220
1200	01.A.MPT.M.120160	01.A.MPT.M.120180	01.A.MPT.M.120200	01.A.MPT.M.120220

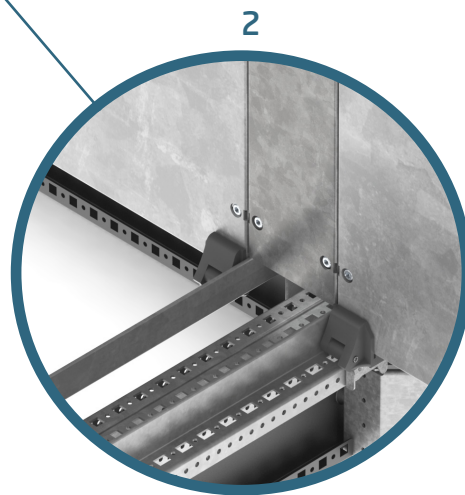
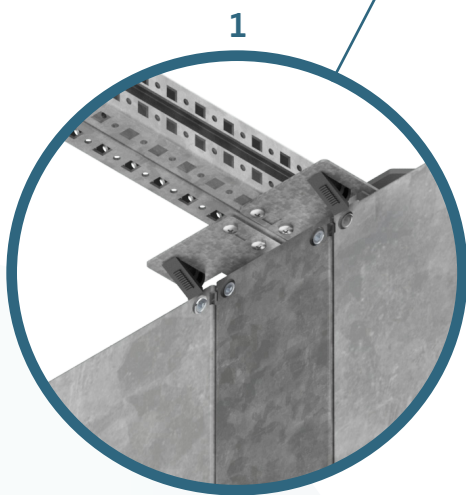
MPR MOUNTING PLATE RAIL SET) SIZES

D	400	500	600	700	800
ORDER CODE	01.A.MPR.M.40	01.A.MPR.M.50	01.A.MPR.M.60	01.A.MPR.M.70	01.A.MPR.M.80

MAT - Middle Connection Plate Set



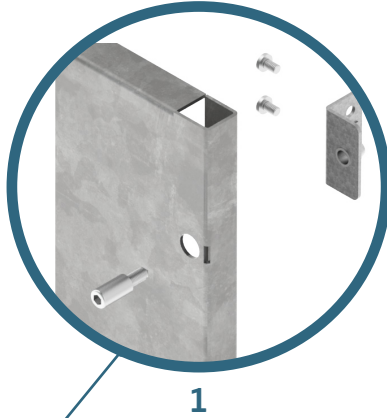
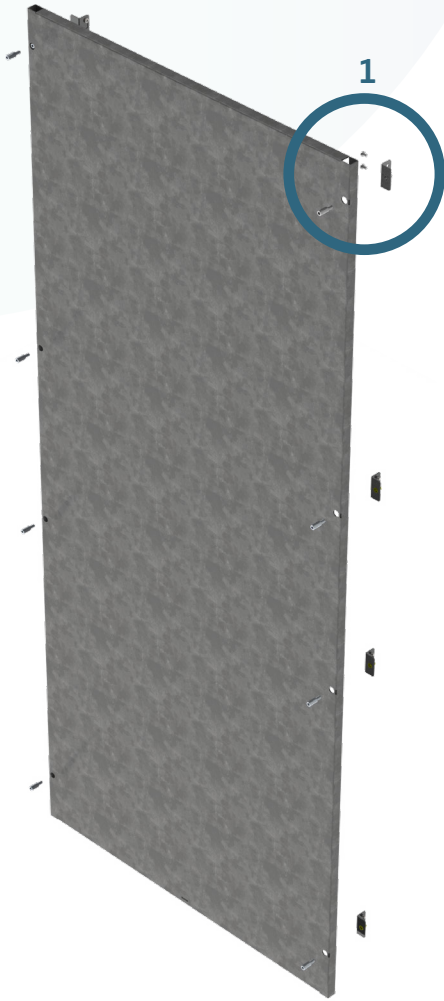
MAT - Middle Connection Plate Fixing



MAT (MIDDLE CONNECTION PLATE SET) SIZES

H	1600	1800	2000	2200
ORDER CODE	01.A.MAT.M.160	01.A.MAT.M.180	01.A.MAT.M.200	01.A.MAT.M.220

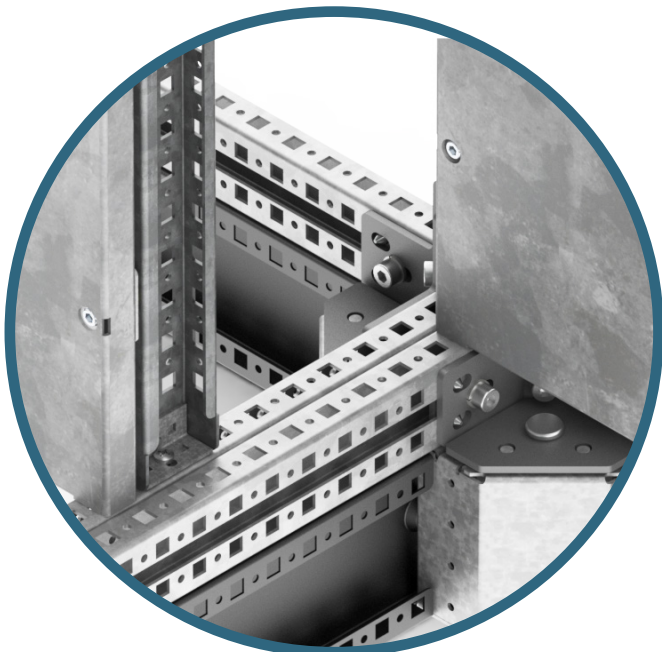
OTT - Automation Mounting Plate



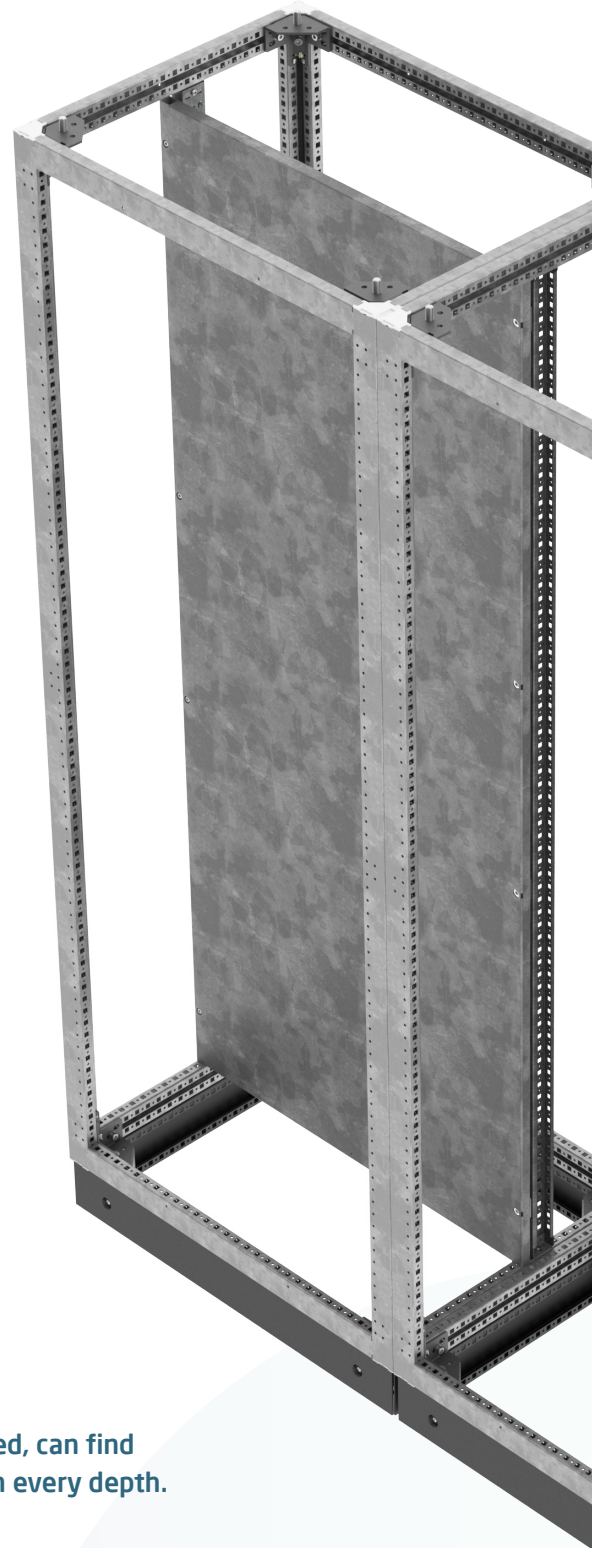
OTT - Automation
Plate Fixings

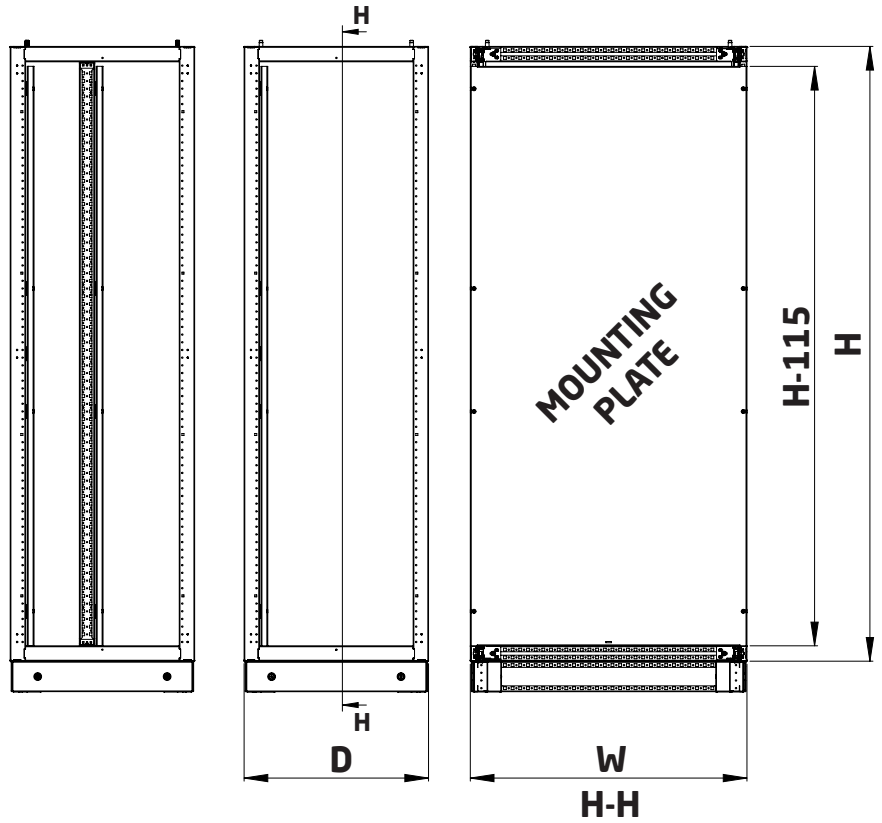
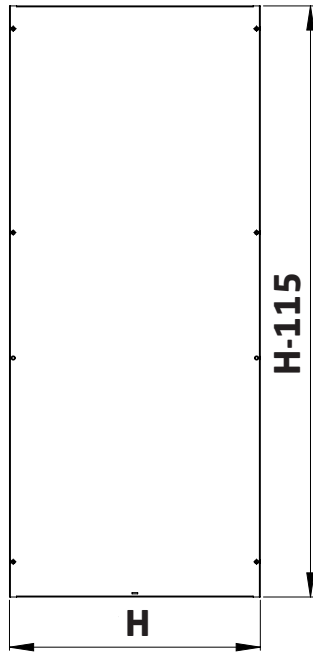
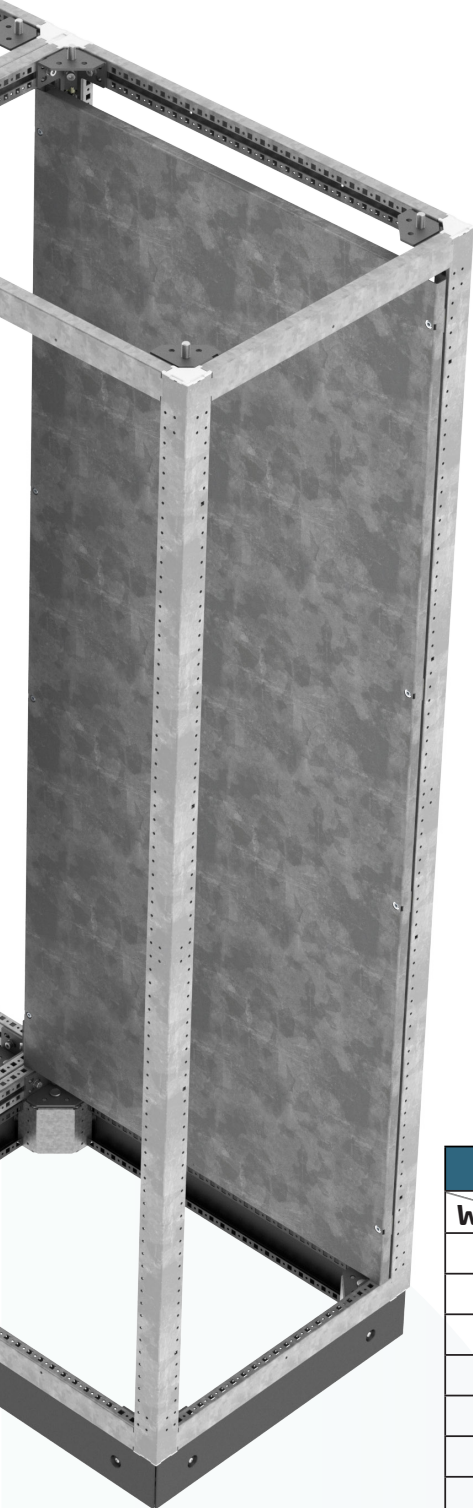


Additional space gain.



In case of need, can find
more space in every depth.



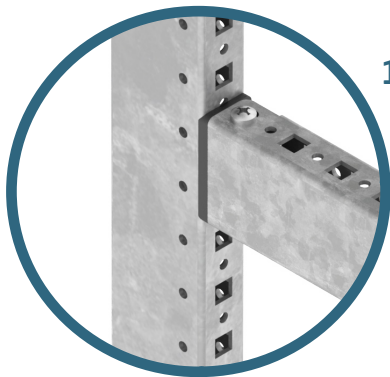
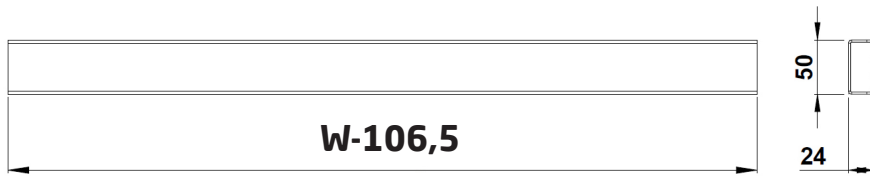


OTT (AUTOMATION MOUNTING PLATE) SIZES

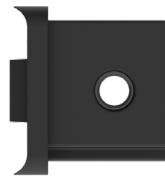
W \ H	1600	1800	2000	2200
400	01.A.OTT.M.40160	01.A.OTT.M.40180	01.A.OTT.M.40200	01.A.OTT.M.40220
500	01.A.OTT.M.50160	01.A.OTT.M.50180	01.A.OTT.M.50200	01.A.OTT.M.50220
600	01.A.OTT.M.60160	01.A.OTT.M.60180	01.A.OTT.M.60200	01.A.OTT.M.60220
700	01.A.OTT.M.70160	01.A.OTT.M.70180	01.A.OTT.M.70200	01.A.OTT.M.70220
800	01.A.OTT.M.80160	01.A.OTT.M.80180	01.A.OTT.M.80200	01.A.OTT.M.80220
900	01.A.OTT.M.90160	01.A.OTT.M.90180	01.A.OTT.M.90200	01.A.OTT.M.90220
1000	01.A.OTT.M.100160	01.A.OTT.M.100180	01.A.OTT.M.100200	01.A.OTT.M.100220

YBT - Horizontal Splitting Set

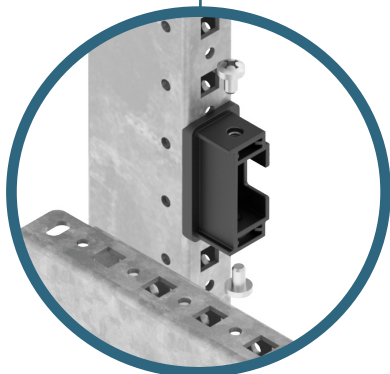
YBT (HORIZONTAL SPLITTING SET) SIZES	
W	ORDER CODE
400	01.T.YBT.M.40
500	01.T.YBT.M.50
600	01.T.YBT.M.60
700	01.T.YBT.M.70
800	01.T.YBT.M.80
900	01.T.YBT.M.90
1000	01.T.YBT.M.100



YBT-Horizontal Splitting Fixings



Side Gaskets for higher protection at the point of connect.



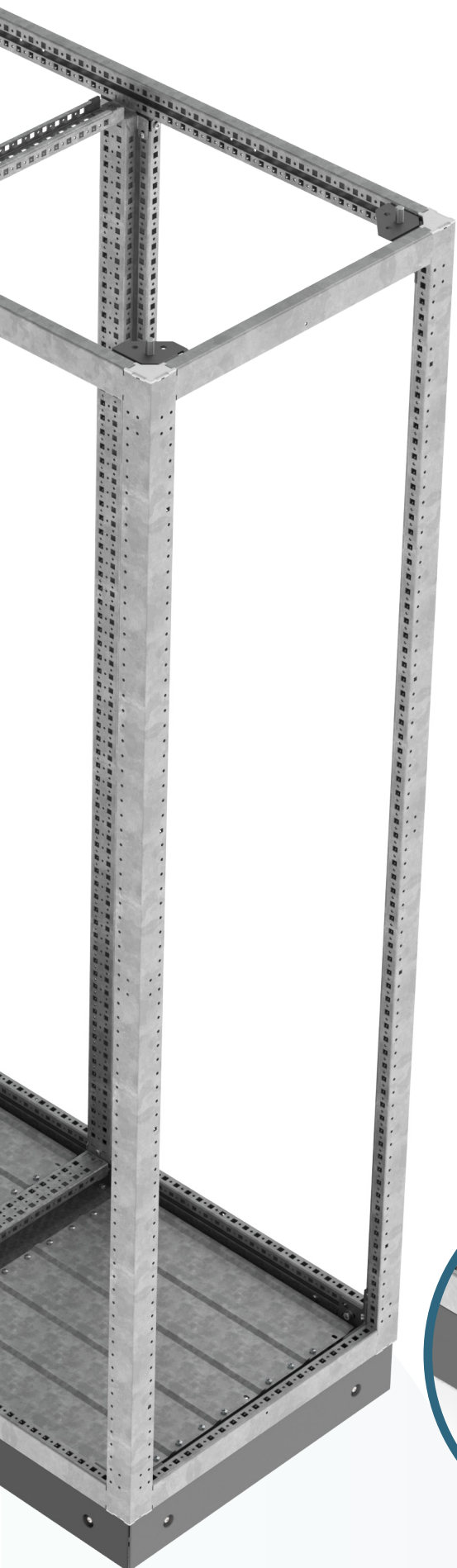
1


2

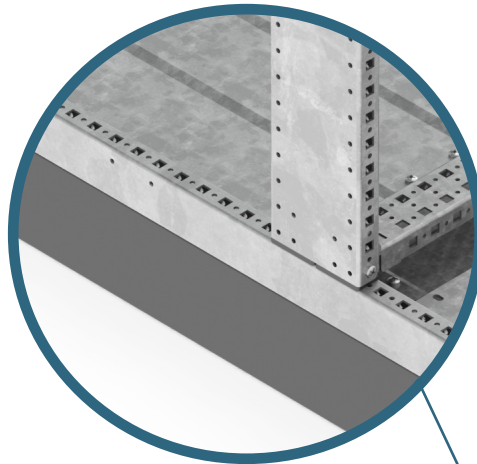


DBT - Vertical Splitting Set

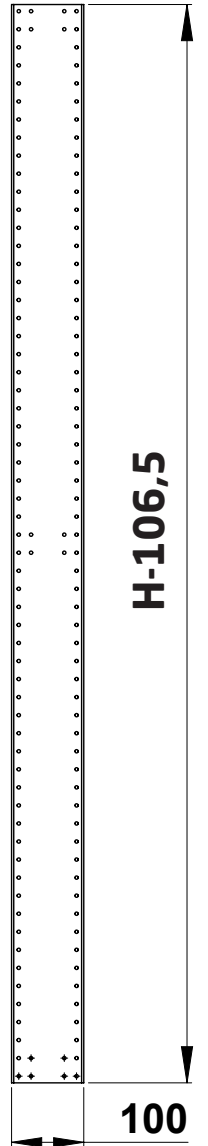
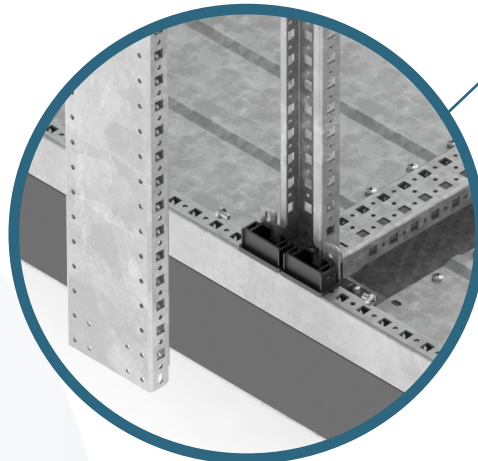
DBT (VERTICAL SPLITTING TAKIMI) SIZES	
H	ORDER CODE
1600	01.T.DB.T.M.160
1800	01.T.DB.T.M.180
2000	01.T.DB.T.M.200
2200	01.T.DB.T.M.220



 Gaskets for higher protection and tightness at the point of connect.

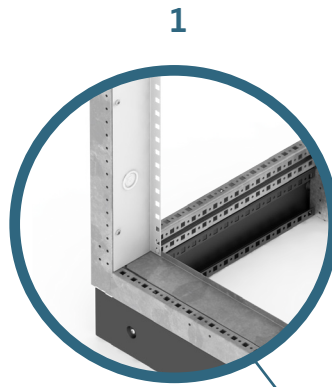
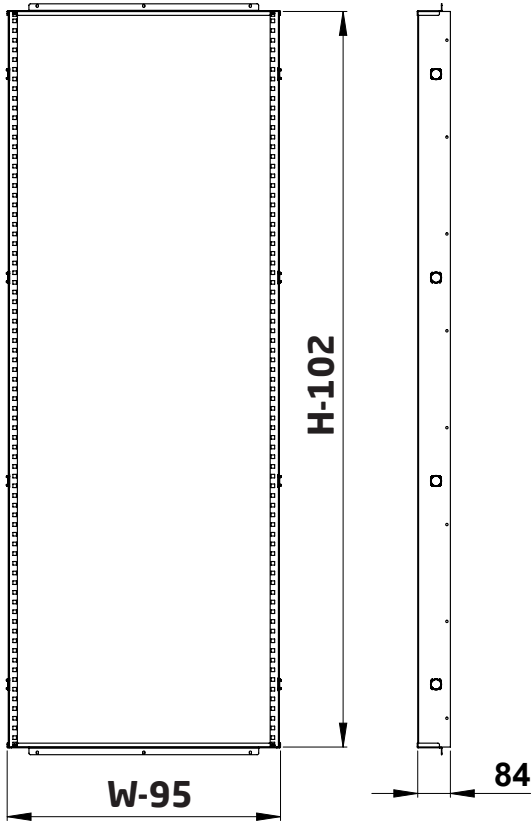


DBT-Vertical Splitting Fixing Sets

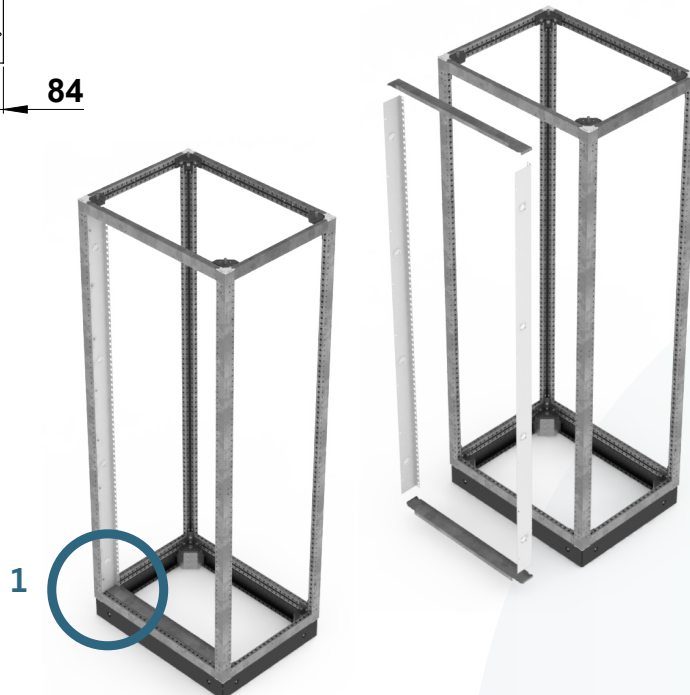


PPT - Cover Plate Mounting Set

PPT (COVER PLATE MOUNTING SET) SIZES				
W \ H	1600	1800	2000	2200
400	01.T.PPT.M.40160	01.T.PPT.M.40180	01.T.PPT.M.40200	01.T.PPT.M.40220
500	01.T.PPT.M.50160	01.T.PPT.M.50180	01.T.PPT.M.50200	01.T.PPT.M.50220
600	01.T.PPT.M.60160	01.T.PPT.M.60180	01.T.PPT.M.60200	01.T.PPT.M.60220
700	01.T.PPT.M.70160	01.T.PPT.M.70180	01.T.PPT.M.70200	01.T.PPT.M.70220
800	01.T.PPT.M.80160	01.T.PPT.M.80180	01.T.PPT.M.80200	01.T.PPT.M.80220
900	01.T.PPT.M.90160	01.T.PPT.M.90180	01.T.PPT.M.90200	01.T.PPT.M.90220
1000	01.T.PPT.M.100160	01.T.PPT.M.100180	01.T.PPT.M.100200	01.T.PPT.M.100220



PPT - Cover Plate Mounting Set



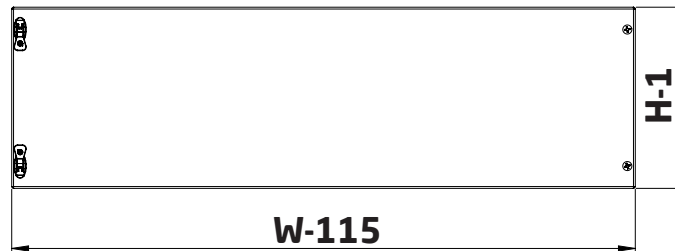
PWT - PRT - Cover Plate Set

PRT (BLANK COVER PLATE) SIZES

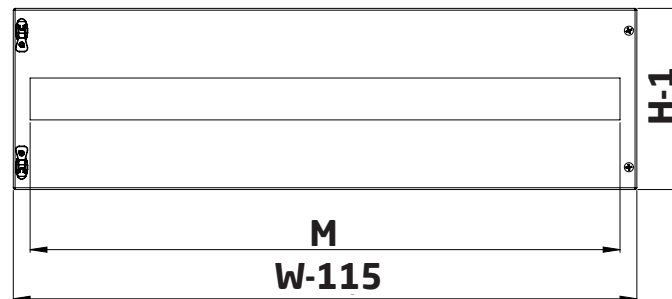
W \ H	150	200	250	300	350	400	500	600
400	01.T.PRT.M.4015	01.T.PRT.M.4020	01.T.PRT.M.4025	01.T.PRT.M.4030	01.T.PRT.M.4035	01.T.PWT.M.4040	01.T.PWT.M.4050	01.T.PWT.M.4060
500	01.T.PRT.M.5015	01.T.PRT.M.5020	01.T.PRT.M.5025	01.T.PRT.M.5030	01.T.PRT.M.5035	01.T.PWT.M.5040	01.T.PWT.M.5050	01.T.PWT.M.5060
600	01.T.PRT.M.6015	01.T.PRT.M.6020	01.T.PRT.M.6025	01.T.PRT.M.6030	01.T.PRT.M.6035	01.T.PWT.M.6040	01.T.PWT.M.6050	01.T.PWT.M.6060
700	01.T.PRT.M.7015	01.T.PRT.M.7020	01.T.PRT.M.7025	01.T.PRT.M.7030	01.T.PRT.M.7035	01.T.PWT.M.7040	01.T.PWT.M.7050	01.T.PWT.M.7060
800	01.T.PRT.M.8015	01.T.PRT.M.8020	01.T.PRT.M.8025	01.T.PRT.M.8030	01.T.PRT.M.8035	01.T.PWT.M.8040	01.T.PWT.M.8050	01.T.PWT.M.8060
900	01.T.PRT.M.9015	01.T.PRT.M.9020	01.T.PRT.M.9025	01.T.PRT.M.9030	01.T.PRT.M.9035	01.T.PWT.M.9040	01.T.PWT.M.9050	01.T.PWT.M.9060
1000	01.T.PRT.M.10015	01.T.PRT.M.10020	01.T.PRT.M.10025	01.T.PRT.M.10030	01.T.PRT.M.10035	01.T.PWT.M.10040	01.T.PWT.M.10050	01.T.PWT.M.10060

PWT (COVER PLATE FOR MCB) SIZES

W \ H	150	200
400 (12 M)	01.T.PWT.M.4015	01.T.PWT.M.4020
500 (18 M)	01.T.PWT.M.5015	01.T.PWT.M.5020
600 (24 M)	01.T.PWT.M.6015	01.T.PWT.M.6020
700 (30 M)	01.T.PWT.M.7015	01.T.PWT.M.7020
800 (36 M)	01.T.PWT.M.8015	01.T.PWT.M.8020
900 (39 M)	01.T.PWT.M.9015	01.T.PWT.M.9020
1000 (45 M)	01.T.PWT.M.10015	01.T.PWT.M.10020



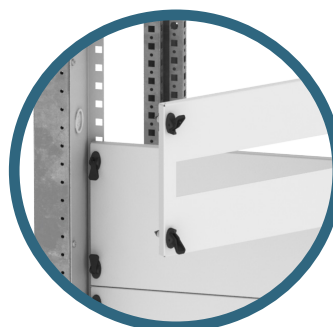
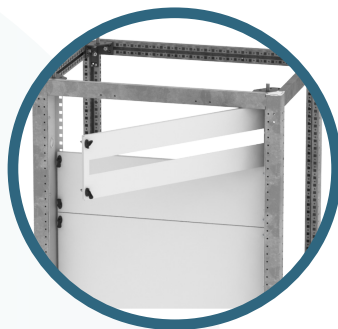
PRT - Blank
Cover Plate Set



PWT - Cover Plate
For MCB's



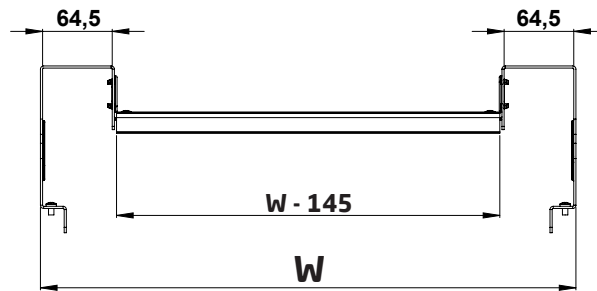
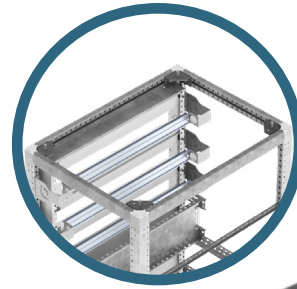
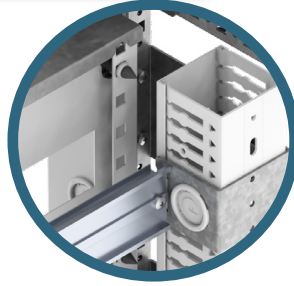
Special Design Locking system
for Cover Plates.



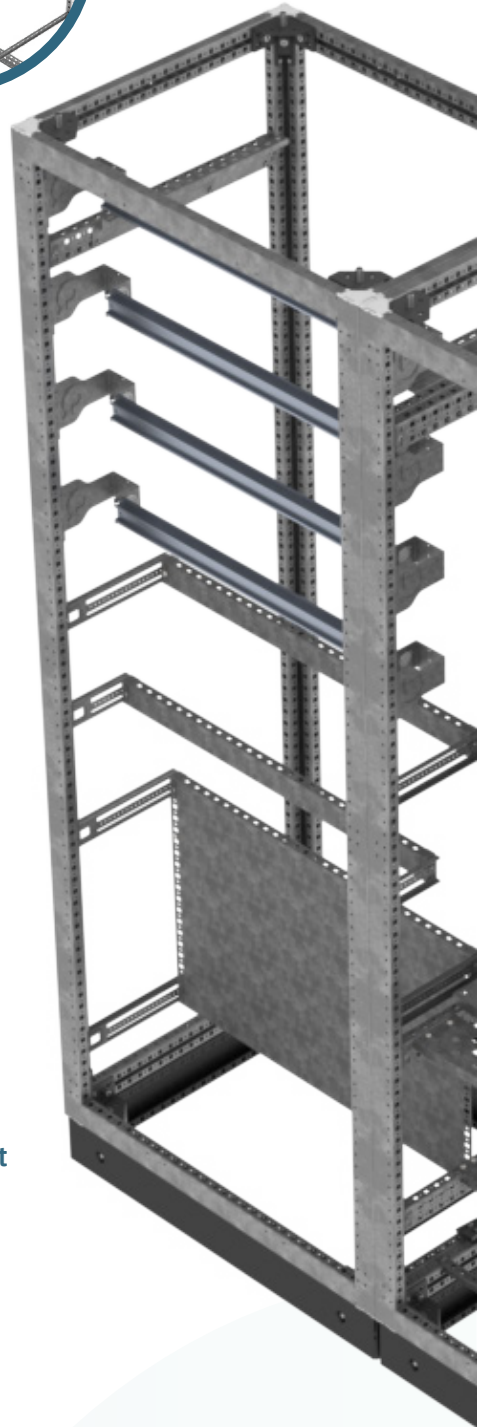
Internal Mounting Accessories

RAT (RAIL FIXING SET) SIZES

ORDER CODE	W
01.T.RAT.M.40	400
01.T.RAT.M.50	500
01.T.RAT.M.60	600
01.T.RAT.M.70	700
01.T.RAT.M.80	800
01.T.RAT.M.90	900
01.T.RAT.M.100	1000

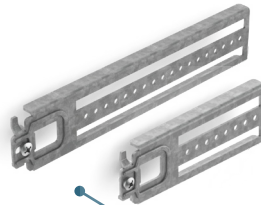
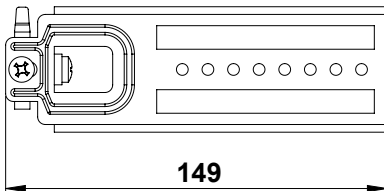


Rail Fixing Set



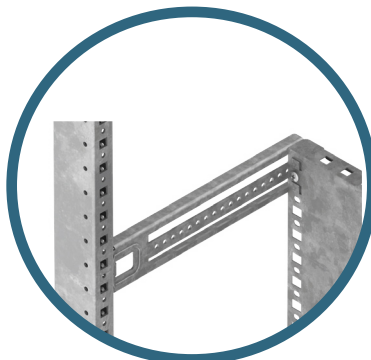
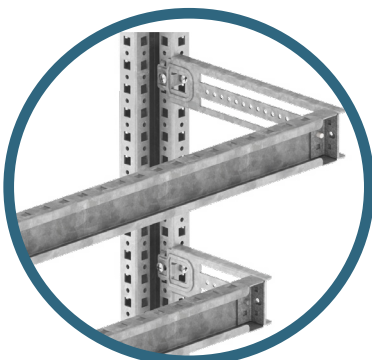
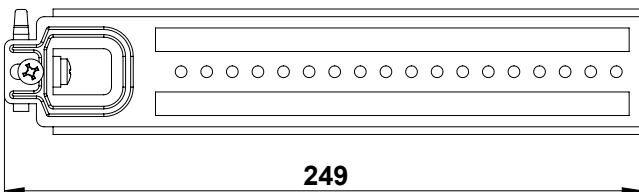
DAT (DEPTH ADJUSTMENT SET) SIZES

01.A.DAT.M.12



DAT-Depth Adjustment Set

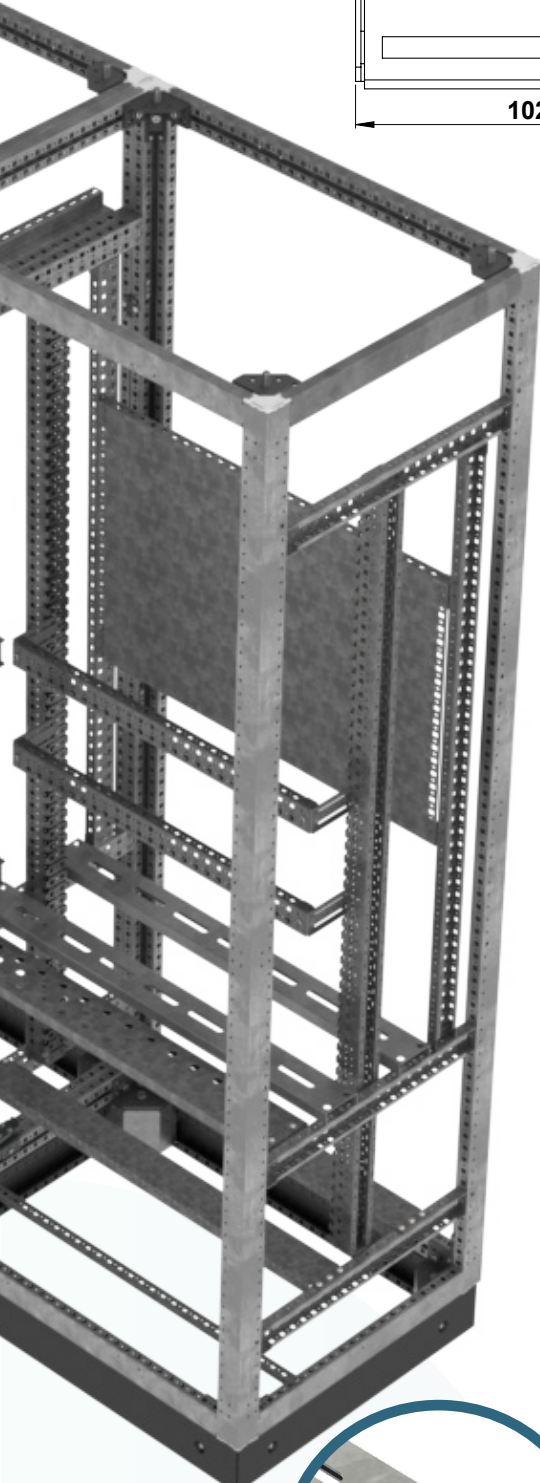
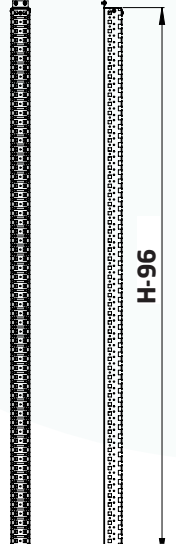
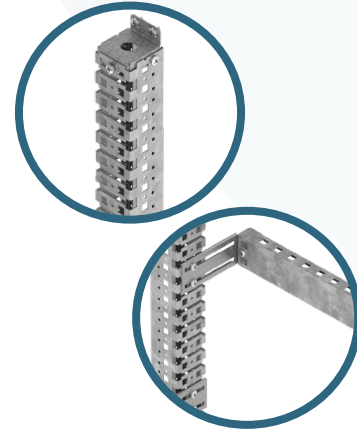
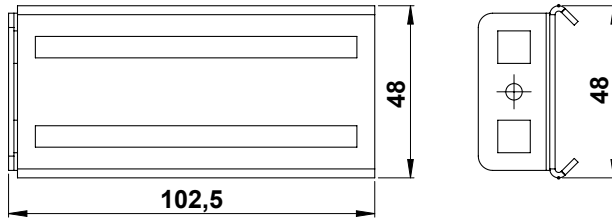
01.A.DAT.M.22



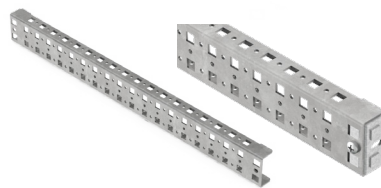
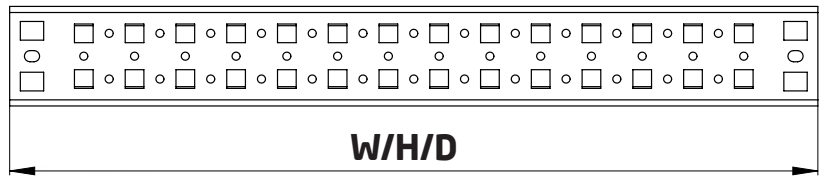
TDT (INTERNAL VERTICAL CARRIER PROFILE SET) SIZES				
H	1600	1800	2000	2200
ORDER CODE	01.T.TDT.M.160	01.T.TDT.M.180	01.T.TDT.M.200	01.T.TDT.M.220

TDT-Internal Vertical Carrier Profile Set

IDT-Internal Carrier Fixing Set

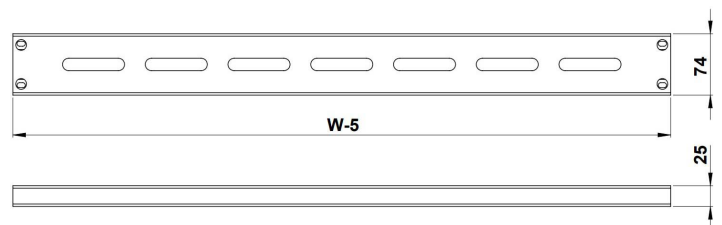
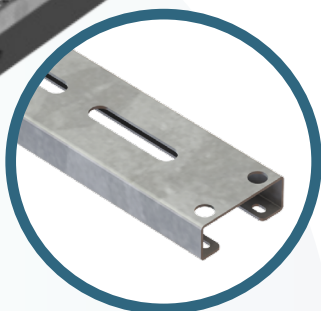


TPT (CARRIER PROFILE SET) SIZES			
W/H/D	ORDER CODE	W/H/D	ORDER CODE
300	01.T.TPT.M.30	750	01.T.TPT.M.75
350	01.T.TPT.M.35	800	01.T.TPT.M.80
400	01.T.TPT.M.40	850	01.T.TPT.M.85
450	01.T.TPT.M.45	900	01.T.TPT.M.90
500	01.T.TPT.M.50	950	01.T.TPT.M.95
550	01.T.TPT.M.55	1000	01.T.TPT.M.100
600	01.T.TPT.M.60	1700	01.T.TPT.M.170
650	01.T.TPT.M.65	1900	01.T.TPT.M.190
700	01.T.TPT.M.70	2000	01.T.TPT.M.200



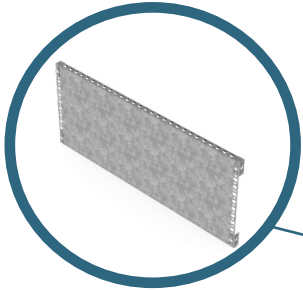
TPT-Carrier Profile Set

AET (HEAVY EQUIPMENT SET) SIZES	
ORDER CODE	W
01.T.AET.M02.50	500
01.T.AET.M02.60	600
01.T.AET.M02.70	700
01.T.AET.M02.80	800
01.T.AET.M02.90	900
01.T.AET.M02.100	1000

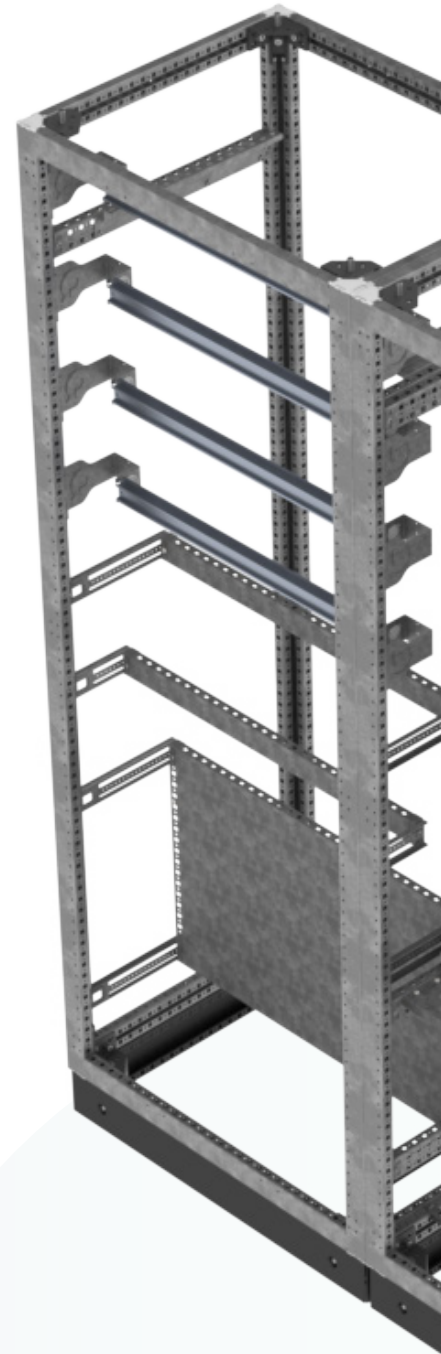


PMT (PARTIAL MOUNTING PLATE SET) SIZES

H \ W	400	500	600	700	800	900	1000
50	01.T.PMT.M.4005	01.T.PMT.M.5005	01.T.PMT.M.6005	01.T.PMT.M.7005	01.T.PMT.M.8005	01.T.PMT.M.9005	01.T.PMT.M.10005
100	01.T.PMT.M.4010	01.T.PMT.M.5010	01.T.PMT.M.6010	01.T.PMT.M.7010	01.T.PMT.M.8010	01.T.PMT.M.9010	01.T.PMT.M.10010
150	01.T.PMT.M.4015	01.T.PMT.M.5015	01.T.PMT.M.6015	01.T.PMT.M.7015	01.T.PMT.M.8015	01.T.PMT.M.9015	01.T.PMT.M.10015
200	01.T.PMT.M.4020	01.T.PMT.M.5020	01.T.PMT.M.6020	01.T.PMT.M.7020	01.T.PMT.M.8020	01.T.PMT.M.9020	01.T.PMT.M.10020
250	01.T.PMT.M.4025	01.T.PMT.M.5025	01.T.PMT.M.6025	01.T.PMT.M.7025	01.T.PMT.M.8025	01.T.PMT.M.9025	01.T.PMT.M.10025
300	01.T.PMT.M.4030	01.T.PMT.M.5030	01.T.PMT.M.6030	01.T.PMT.M.7030	01.T.PMT.M.8030	01.T.PMT.M.9030	01.T.PMT.M.10030
350	01.T.PMT.M.4035	01.T.PMT.M.5035	01.T.PMT.M.6035	01.T.PMT.M.7035	01.T.PMT.M.8035	01.T.PMT.M.9035	01.T.PMT.M.10035
400	01.T.PMT.M.4040	01.T.PMT.M.5040	01.T.PMT.M.6040	01.T.PMT.M.7040	01.T.PMT.M.8040	01.T.PMT.M.9040	01.T.PMT.M.10040
450	01.T.PMT.M.4045	01.T.PMT.M.5045	01.T.PMT.M.6045	01.T.PMT.M.7045	01.T.PMT.M.8045	01.T.PMT.M.9045	01.T.PMT.M.10045
500	01.T.PMT.M.4050	01.T.PMT.M.5050	01.T.PMT.M.6050	01.T.PMT.M.7050	01.T.PMT.M.8050	01.T.PMT.M.9050	01.T.PMT.M.10050
550	01.T.PMT.M.4055	01.T.PMT.M.5055	01.T.PMT.M.6055	01.T.PMT.M.7055	01.T.PMT.M.8055	01.T.PMT.M.9055	01.T.PMT.M.10055
600	01.T.PMT.M.4060	01.T.PMT.M.5060	01.T.PMT.M.6060	01.T.PMT.M.7060	01.T.PMT.M.8060	01.T.PMT.M.9060	01.T.PMT.M.10060

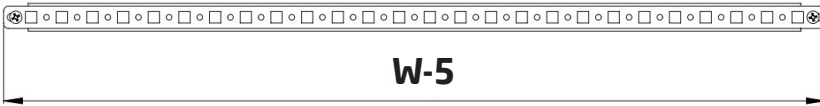
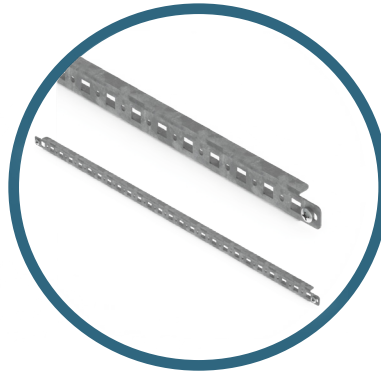


PMT - Partial Mounting Plate Set



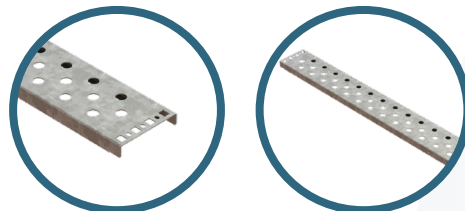
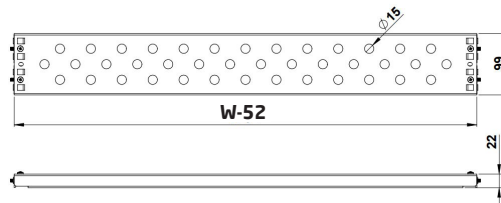
KTT (CABLE FIXING SET) SIZES

W/D	ORDER CODE
400	01.T.KTT.M.40
500	01.T.KTT.M.50
600	01.T.KTT.M.60
700	01.T.KTT.M.70
800	01.T.KTT.M.80
900	01.T.KTT.M.90
1000	01.T.KTT.M.100
1200	01.T.KTT.M.120



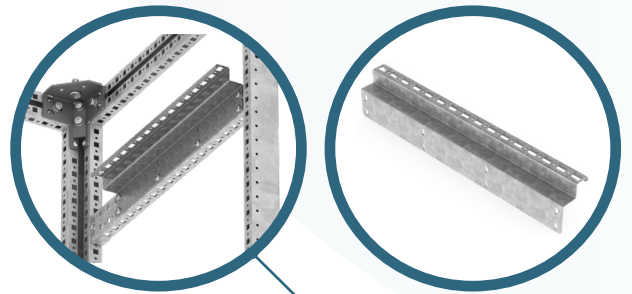
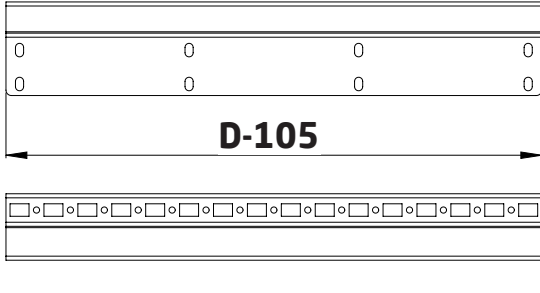
CAPACITOR PROFILE SET

W	ORDER CODE
400	01.T.KMP.M.40
500	01.T.KMP.M.50
600	01.T.KMP.M.60
700	01.T.KMP.M.70
800	01.T.KMP.M.80
900	01.T.KMP.M.90



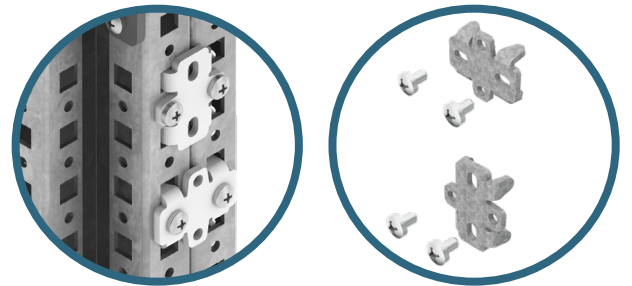
BIT (BUSBAR INSULATOR FIXING SET) SIZE

D	400	500
ORDER CODE	01.T.BIT.M.40	01.T.BIT.M.50

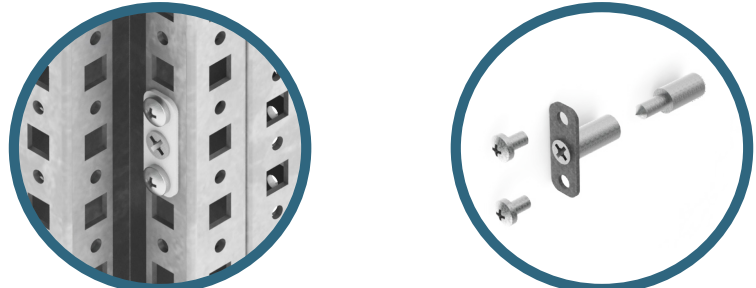


BIT - Busbar Insulator Fixing

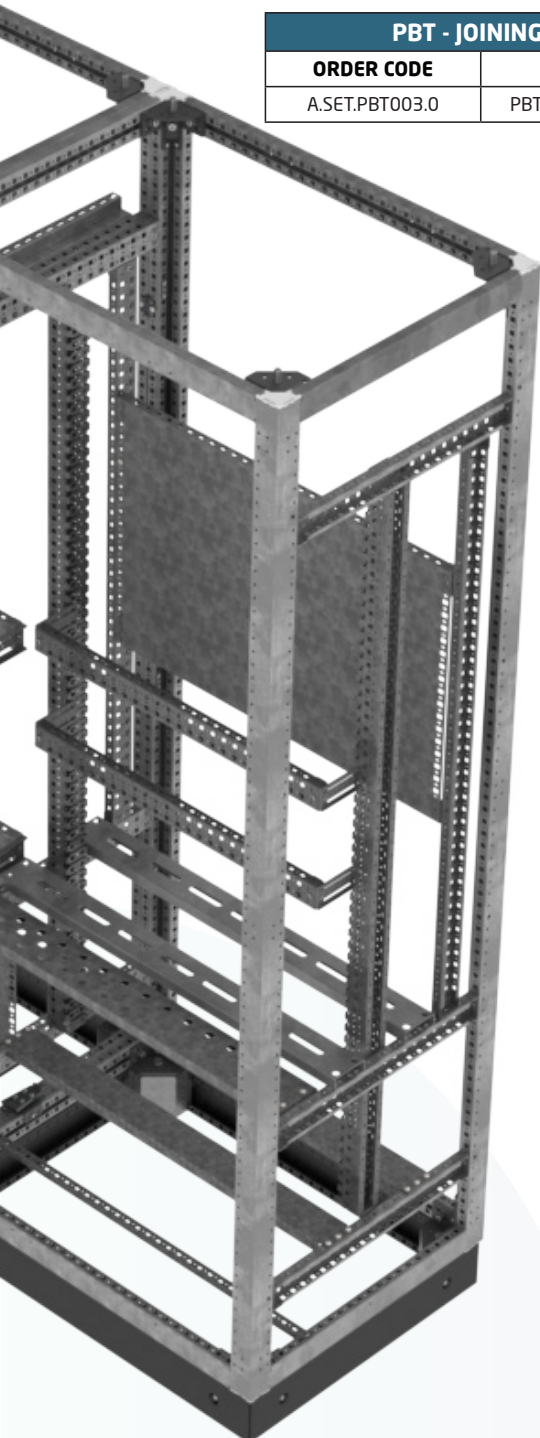
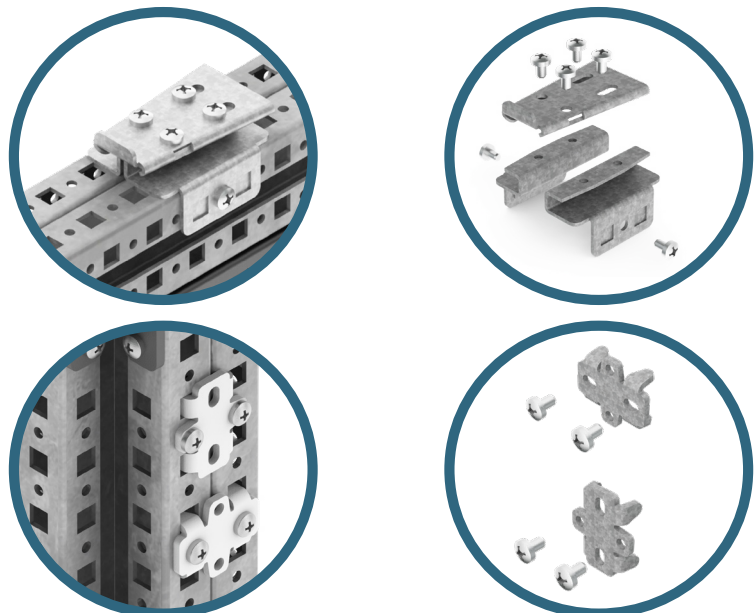
PBT - JOINING KIT WITH HOOKS	
ORDER CODE	DESCRIPTION
A.SET.PBT003.0	PBT - Enclosure Joining Kit with Hooks



PBT - JOINING KIT WITH PIN	
ORDER CODE	DESCRIPTION
A.SET.PBT001.0	PBT - Enclosure Joining Kit with Pin

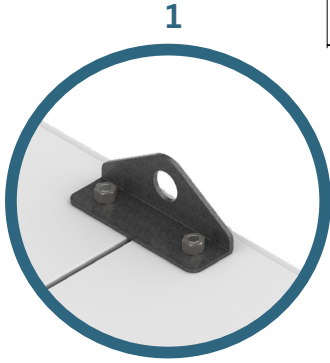
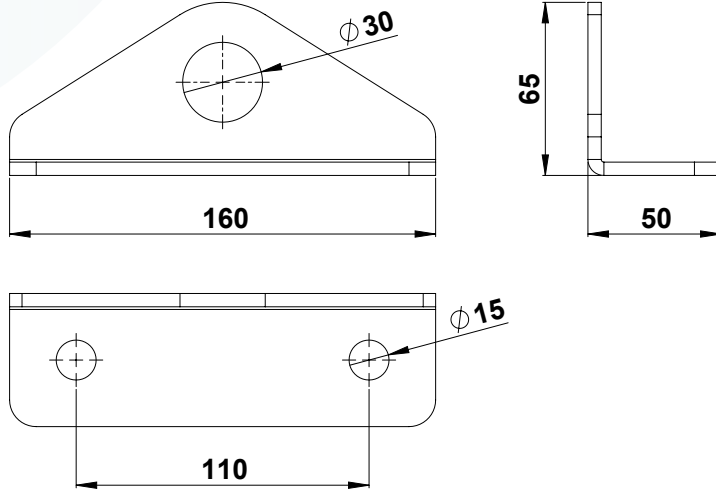


PBT - INNER - PULLING JOINING SYSTEM	
ORDER CODE	DESCRIPTION
A.SET.PBT002.0	PBT - Enclosure Inner-Pulling Joining System



ATT- DOUBLE LIFTING LUG

ORDER CODE	DESCRIPTION
A.SET.ATT001.0	ATT-Double Lifting Lug Set

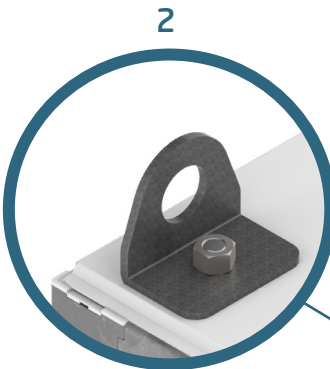
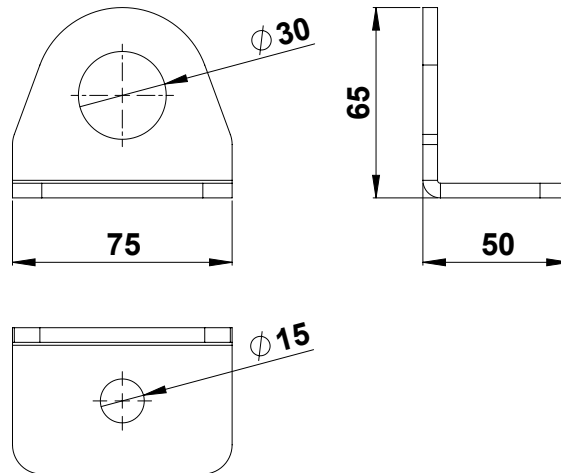


ATT-Double Lifting Lug Set



ATT - LIFTING LUG SET

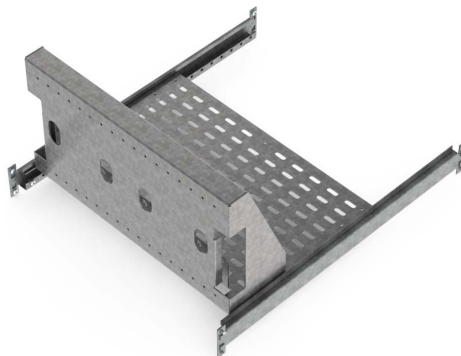
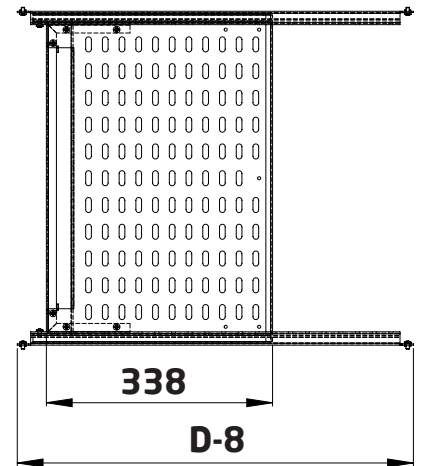
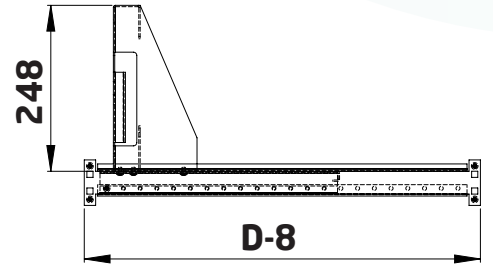
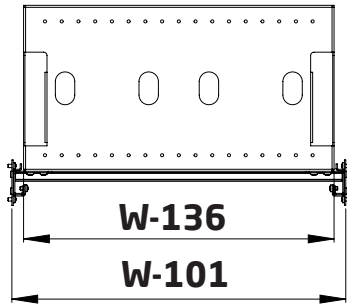
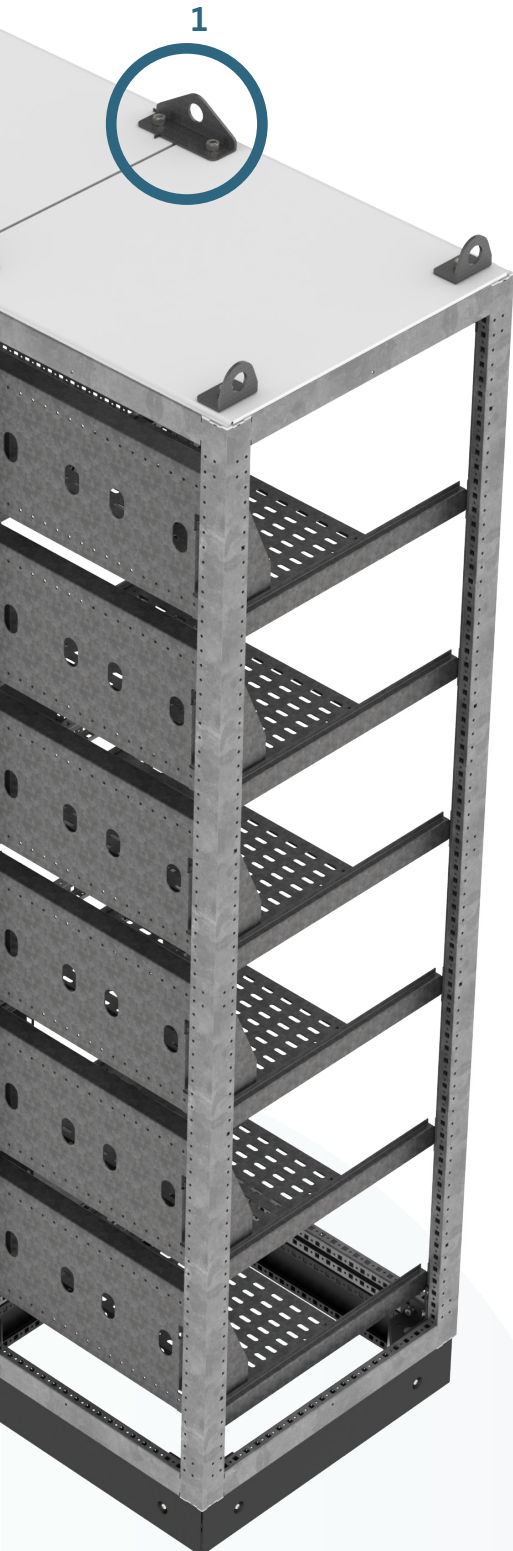
ORDER CODE	DESCRIPTION
A.SET.ATT002.0	ATT-Single Lifting Lug Set



ATT-Single Lifting Lug Set

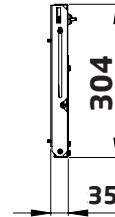
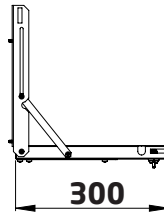
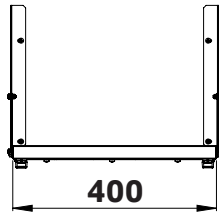
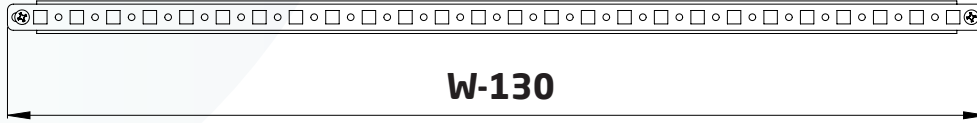
CMT(DRAWER MODULE SET) SIZES

W \ D	400	500	600	700	800
400	01.T.CMT.M.4040	01.T.CMT.M.4050	01.T.CMT.M.4060	01.T.CMT.M.4070	01.T.CMT.M.4080
500	01.T.CMT.M.5040	01.T.CMT.M.5050	01.T.CMT.M.5060	01.T.CMT.M.5070	01.T.CMT.M.5080
600	01.T.CMT.M.6040	01.T.CMT.M.6050	01.T.CMT.M.6060	01.T.CMT.M.6070	01.T.CMT.M.6080
700	01.T.CMT.M.7040	01.T.CMT.M.7050	01.T.CMT.M.7060	01.T.CMT.M.7070	01.T.CMT.M.7080
800	01.T.CMT.M.8040	01.T.CMT.M.8050	01.T.CMT.M.8060	01.T.CMT.M.8070	01.T.CMT.M.8080
900	01.T.CMT.M.9040	01.T.CMT.M.9050	01.T.CMT.M.9060	01.T.CMT.M.9070	01.T.CMT.M.9080
1000	01.T.CMT.M.10040	01.T.CMT.M.10050	01.T.CMT.M.10060	01.T.CMT.M.10070	01.T.CMT.M.10080

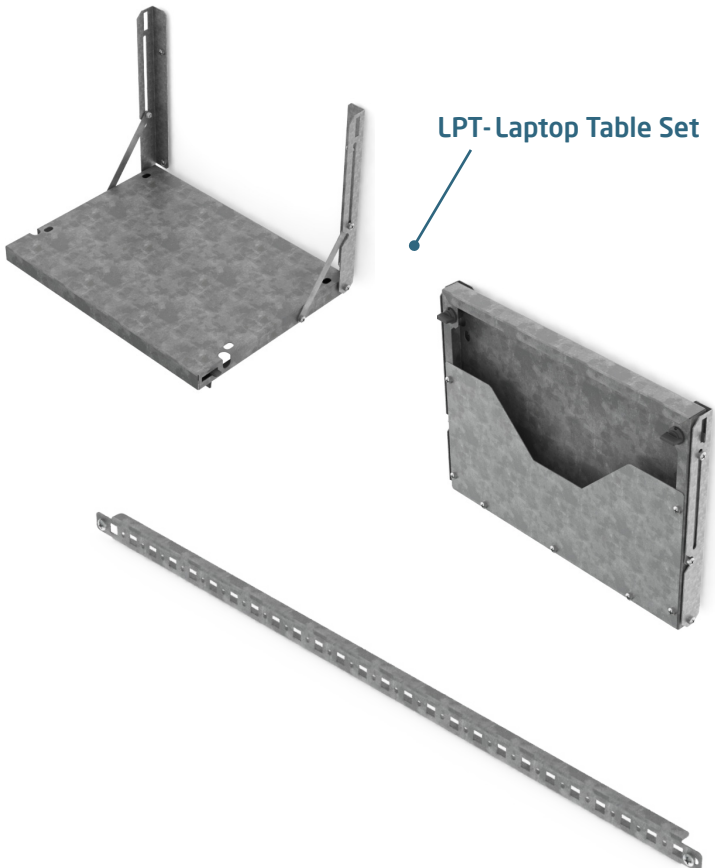


CMT-Drawer Module Set

LPT - Laptop Table

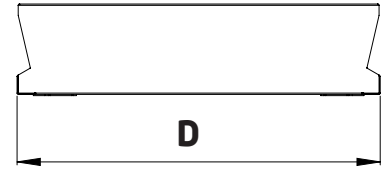
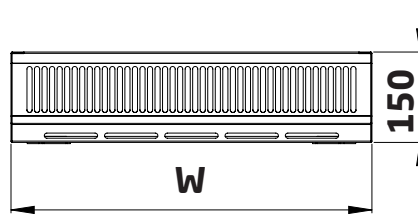


LPT (LAPTOP TABLE SET) SIZES	
W	ORDER CODE
600	01.T.LPT.M.60
700	01.T.LPT.M.70
800	01.T.LPT.M.80
900	01.T.LPT.M.90

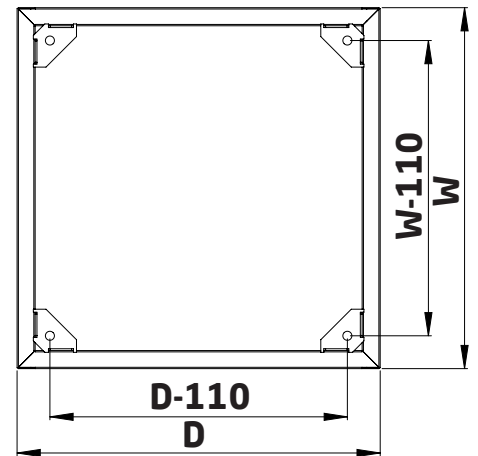


UHT - Roof Ventilation Set

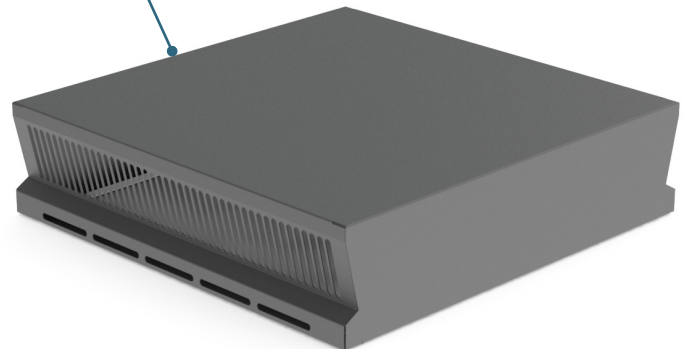
UHT (ROOF VENTILATION SET) SIZES					
W \ D	400	500	600	700	800
400	01.A.UHT.M.4040	01.A.UHT.M.4050	01.A.UHT.M.4060	01.A.UHT.M.4070	01.A.UHT.M.4080
500	01.A.UHT.M.5040	01.A.UHT.M.5050	01.A.UHT.M.5060	01.A.UHT.M.5070	01.A.UHT.M.5080
600	01.A.UHT.M.6040	01.A.UHT.M.6050	01.A.UHT.M.6060	01.A.UHT.M.6070	01.A.UHT.M.6080
700	01.A.UHT.M.7040	01.A.UHT.M.7050	01.A.UHT.M.7060	01.A.UHT.M.7070	01.A.UHT.M.7080
800	01.A.UHT.M.8040	01.A.UHT.M.8050	01.A.UHT.M.8060	01.A.UHT.M.8070	01.A.UHT.M.8080
900	01.A.UHT.M.9040	01.A.UHT.M.9050	01.A.UHT.M.9060	01.A.UHT.M.9070	01.A.UHT.M.9080
1000	01.A.UHT.M.10040	01.A.UHT.M.10050	01.A.UHT.M.10060	01.A.UHT.M.10070	01.A.UHT.M.10080
1200	01.A.UHT.M.12040	01.A.UHT.M.12050	01.A.UHT.M.12060	01.A.UHT.M.12070	01.A.UHT.M.12080



(FILTER SET)	
E	ÜRÜN KODU
400	01.A.UHF.M.40
500	01.A.UHF.M.50
600	01.A.UHF.M.60
700	01.A.UHF.M.70
800	01.A.UHF.M.80
900	01.A.UHF.M.90
1000	01.A.UHF.M.100
1200	01.A.UHF.M.120



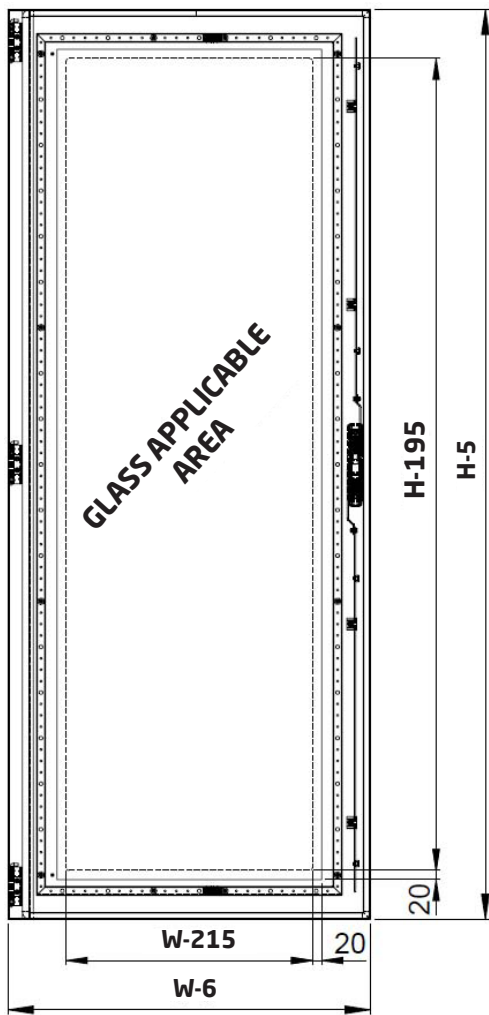
UHT-Roof Ventilation System



OKT-Front Door Set Glass Door

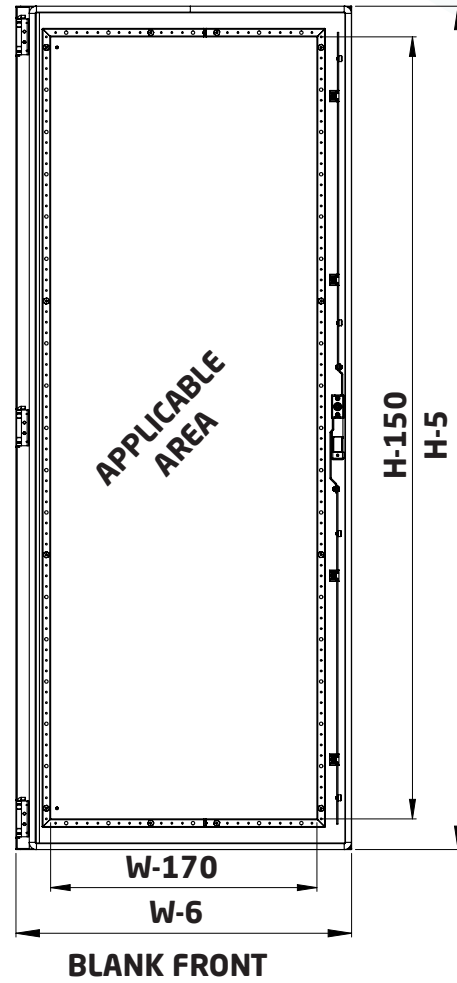
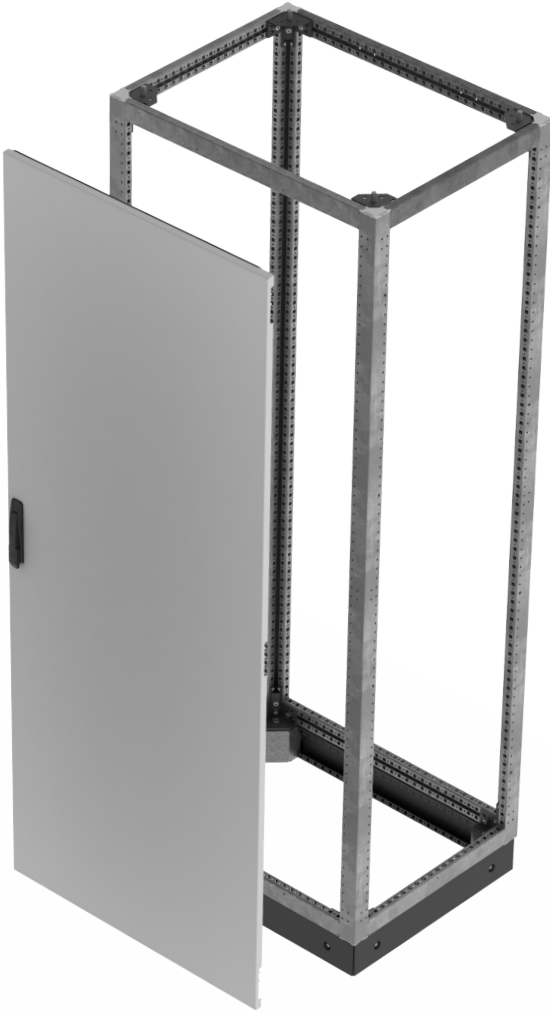
OKT.T (SAFETY GLASS DOOR) SIZES

W \ H	1600	1800	2000	2200
400	01.A.OKT.M.40160.T	01.A.OKT.M.40180.T	01.A.OKT.M.40200.T	01.A.OKT.M.40220.T
500	01.A.OKT.M.50160.T	01.A.OKT.M.50180.T	01.A.OKT.M.50200.T	01.A.OKT.M.50220.T
600	01.A.OKT.M.60160.T	01.A.OKT.M.60180.T	01.A.OKT.M.60200.T	01.A.OKT.M.60220.T
700	01.A.OKT.M.70160.T	01.A.OKT.M.70180.T	01.A.OKT.M.70200.T	01.A.OKT.M.70220.T
800	01.A.OKT.M.80160.T	01.A.OKT.M.80180.T	01.A.OKT.M.80200.T	01.A.OKT.M.80220.T
900	01.A.OKT.M.90160.T	01.A.OKT.M.90180.T	01.A.OKT.M.90200.T	01.A.OKT.M.90220.T
1000	01.A.OKT.M.100160.T	01.A.OKT.M.100180.T	01.A.OKT.M.100200.T	01.A.OKT.M.100220.T


OKT.P (PLEXIGLASS DOOR SET) SIZES

W \ H	1600	1800	2000	2200
400	01.A.OKT.M.40160.P	01.A.OKT.M.40180.P	01.A.OKT.M.40200.P	01.A.OKT.M.40220.P
500	01.A.OKT.M.50160.P	01.A.OKT.M.50180.P	01.A.OKT.M.50200.P	01.A.OKT.M.50220.P
600	01.A.OKT.M.60160.P	01.A.OKT.M.60180.P	01.A.OKT.M.60200.P	01.A.OKT.M.60220.P
700	01.A.OKT.M.70160.P	01.A.OKT.M.70180.P	01.A.OKT.M.70200.P	01.A.OKT.M.70220.P
800	01.A.OKT.M.80160.P	01.A.OKT.M.80180.P	01.A.OKT.M.80200.P	01.A.OKT.M.80220.P
900	01.A.OKT.M.90160.P	01.A.OKT.M.90180.P	01.A.OKT.M.90200.P	01.A.OKT.M.90220.P
1000	01.A.OKT.M.100160.P	01.A.OKT.M.100180.P	01.A.OKT.M.100200.P	01.A.OKT.M.100220.P

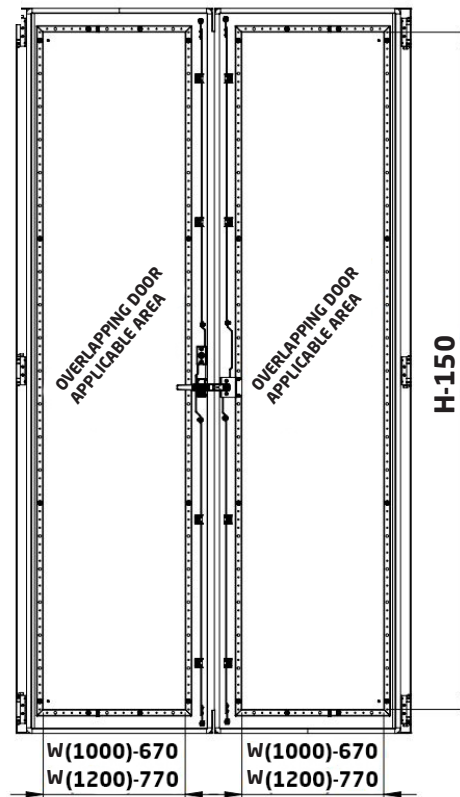
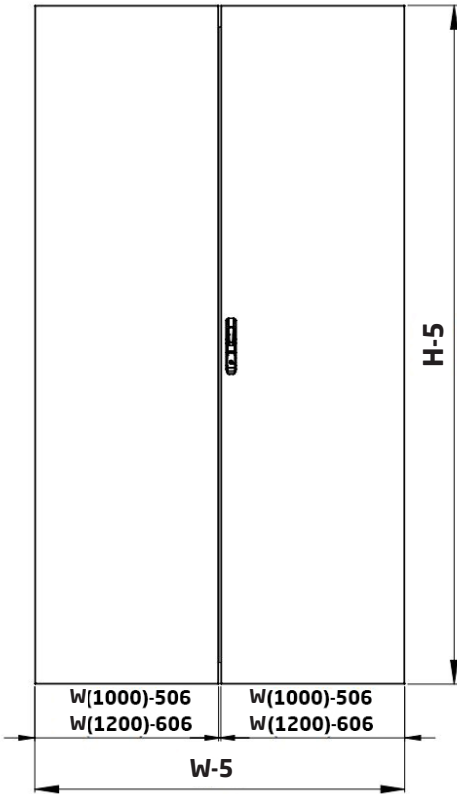
OKT - Front Door Set



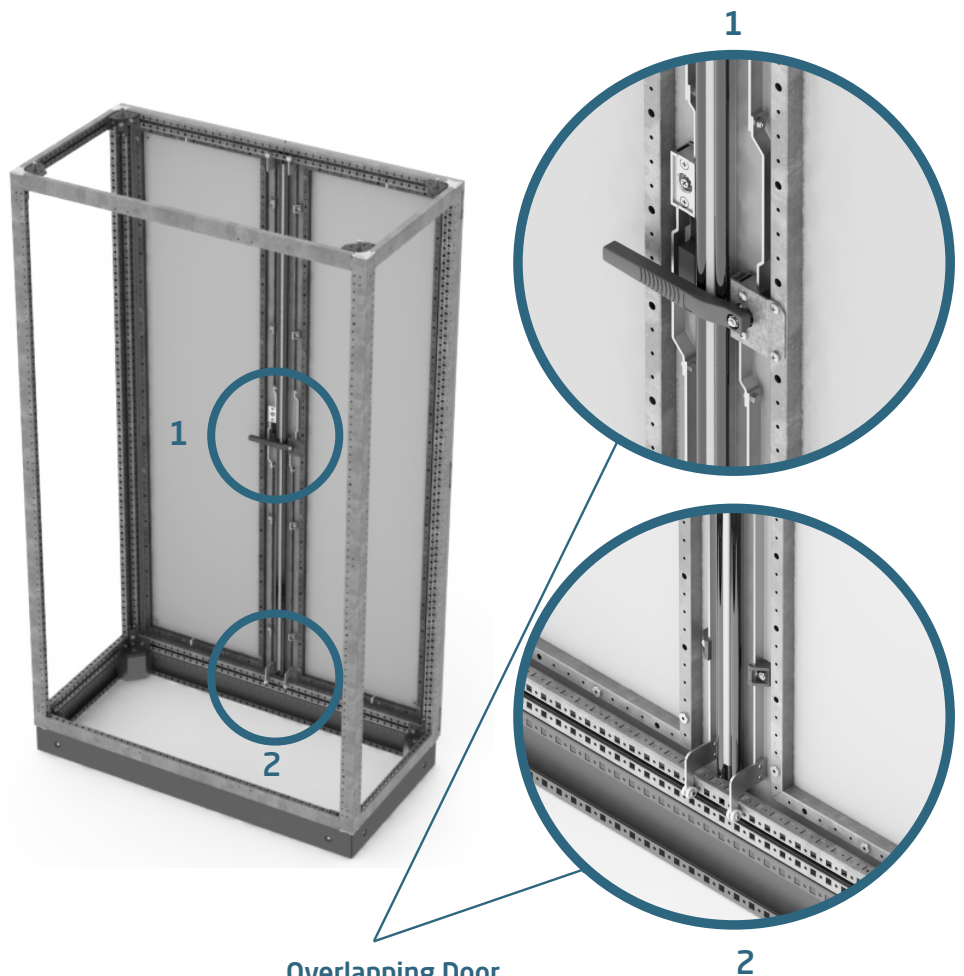
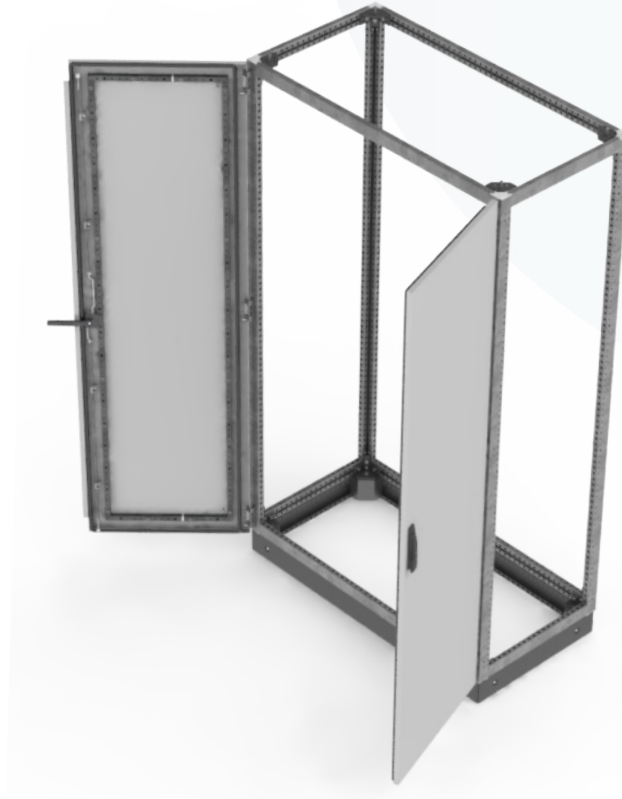
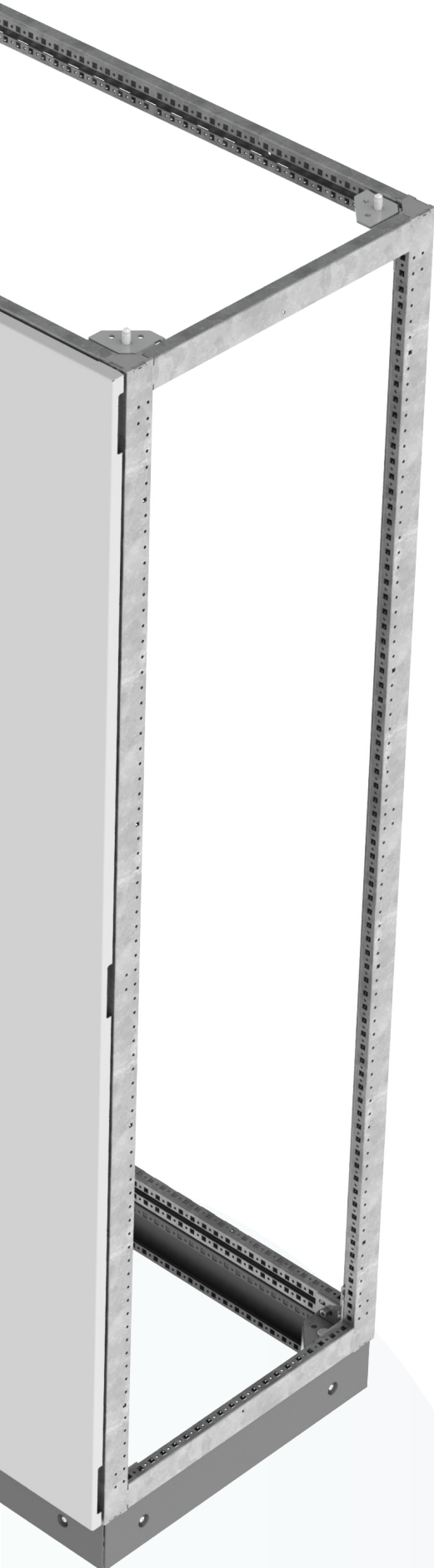
OKT.D (BLANK FRONT DOOR) SIZES

W \ H	1600	1800	2000	2200
400	01.A.OKT.M.40160.D	01.A.OKT.M.40180.D	01.A.OKT.M.40200.D	01.A.OKT.M.40220.D
500	01.A.OKT.M.50160.D	01.A.OKT.M.50180.D	01.A.OKT.M.50200.D	01.A.OKT.M.50220.D
600	01.A.OKT.M.60160.D	01.A.OKT.M.60180.D	01.A.OKT.M.60200.D	01.A.OKT.M.60220.D
700	01.A.OKT.M.70160.D	01.A.OKT.M.70180.D	01.A.OKT.M.70200.D	01.A.OKT.M.70220.D
800	01.A.OKT.M.80160.D	01.A.OKT.M.80180.D	01.A.OKT.M.80200.D	01.A.OKT.M.80220.D
900	01.A.OKT.M.90160.D	01.A.OKT.M.90180.D	01.A.OKT.M.90200.D	01.A.OKT.M.90220.D
1000	01.A.OKT.M.100160.D	01.A.OKT.M.100180.D	01.A.OKT.M.100200.D	01.A.OKT.M.100220.D

OKB - Overlapping Door Set



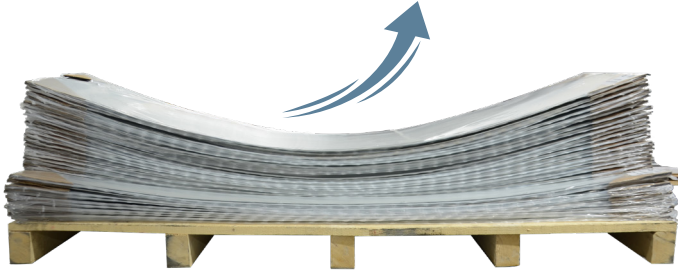
		OKB (OVERLAPPING DOOR SET)			
W \ H		2200	2000	1800	1600
1000		01.A.OKB.M.100220	01.A.OKB.M.100200	01.A.OKB.M.100180	01.A.OKB.M.100160
1200		01.A.OKB.M.120220	01.A.OKB.M.120200	01.A.OKB.M.120180	01.A.OKB.M.120160



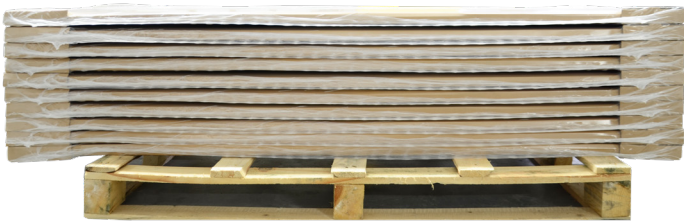
Overlapping Door
Locking System

A Series Moduler Vertical Type Enclosure

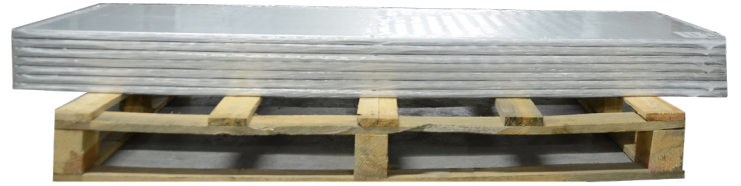
SKT - SIDE PANEL SET



PST - ENCLOSURE SET



OKT - FRONT DOOR SET



MPT - MOUNTING PLATE SET



DPT - VERTICAL PROFILE SET



You can access our montage video by reading the QR code from your phone's camera or the QR code reading applications.



A Series Moduler Vertical Type Enclosure

- ✓ With disassembled flat packaging, the possibility of shipping more products at a time gives an advantage in transportation costs.
- ✓ More space savings while storing A Series products.
- ✓ The design aimed on mass production, provides the possibility of fast.
- ✓ Instructions inside Enclosure Set, makes assembly easier.



Ventilation / Air Conditions



Ventilation / Air Conditions

INTERNAL AIR CONDITIONS

NO	CODE	DESCRIPTION
1	V18 0500 220VD	VOERCO INTERNAL VD 500 220V
2	V18 0750 220VD	VOERCO INTERNAL VD 750 220V
3	V18 1000 220VD	VOERCO INTERNAL VD 1000 220V
4	V18 1500 220VD	VOERCO INTERNAL VD 1500 220V
5	V18 2000 220VD	VOERCO INTERNAL VD 2000 220V
6	V18 3000 220VD	VOERCO INTERNAL VD 3000 220V
7	V18 3000 380VD	VOERCO INTERNAL VD 3000 380V
8	V18 4000 380VD	VOERCO INTERNAL VD 4000 380V



STAINLESS AIR CONDITIONS

NO	CODE	DESCRIPTION
1	V18 0500 220VP	VOERCO STAINLESS VP 500 220V
2	V18 0750 220VP	VOERCO STAINLESS VP 750 220V
3	V18 1000 220VP	VOERCO STAINLESS VP 1000 220V
4	V18 1500 220VP	VOERCO STAINLESS VP 1500 220V
5	V18 2000 220VP	VOERCO STAINLESS VP 2000 220V
6	V18 3000 220VP	VOERCO STAINLESS VP 3000 220V
7	V18 3000 380VP	VOERCO STAINLESS VP 3000 380V
8	V18 4000 380VP	VOERCO STAINLESS VP 4000 380V

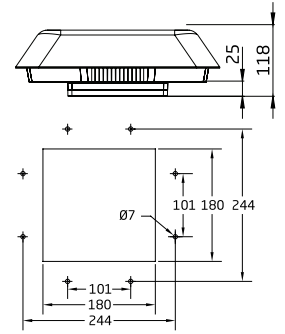
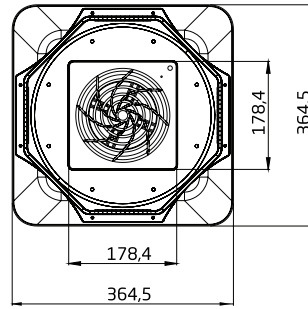


EXTERNAL AIR CONDITIONS

NO	CODE	DESCRIPTION
1	V18 0500 220VH	VOERCO EXTERNAL VH 500 220V
2	V18 0750 220VH	VOERCO EXTERNAL VH 750 220V
3	V18 1000 220VH	VOERCO EXTERNAL VH 1000 220V
4	V18 1500 220VH	VOERCO EXTERNAL VH 1500 220V



Ventilation / Roof Fans



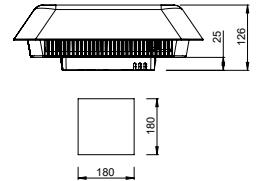
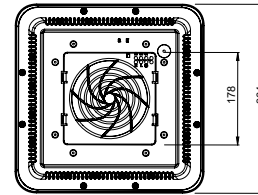
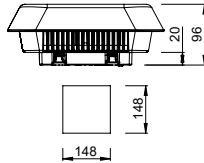
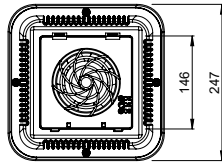
ROOF FANS (SCREW CONNECTIONS)

CODE	FAN TYPE	SUPPLY	CAPACITY m ³ /h
V03 160 001	172x150x51	230V-50/60Hz	350
V03 162 001	170x150x55	230V-50/60Hz	350
V03 162 002	172x150x51	110V-50/60Hz	350
V03 175 001	Ø175 RADYAL	230V-50/60Hz	470
V03 190 001	Ø190 RADYAL	230V-50/60Hz	600
V03 220 001	Ø220 RADYAL	230V-50/60Hz	1000



V03 120 001

V03 133 001



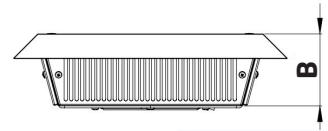
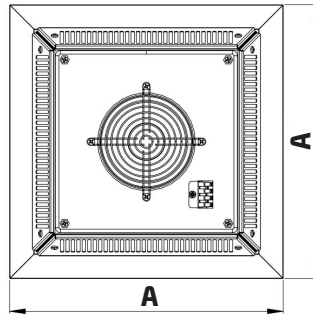
TSE APPROVED IP54 ROOF FANS WITH FILTER (QUICK CONNECT)

CODE	DESCRIPTION	SUPPLY	CAPACITY (m ³ /h)
V03 160 002	FILTERED IP54 QUICK CONNECT 172x150x51	230V-50/60Hz	350
V03 162 003	FILTERED IP54 QUICK CONNECT 170x150x55	230V-50/60Hz	350
V03 175 002	FILTERED IP54 QUICK CONNECT Ø175 RADYAL	230V-50/60Hz	470
V03 190 002	FILTERED IP54 QUICK CONNECT Ø190 RADYAL	230V-50/60Hz	600
V03 220 002	FILTERED IP54 QUICK CONNECT Ø220 RADYAL	230V-50/60Hz	1000

ROOF FANS WITHOUT FILTER (QUICK CONNECT)

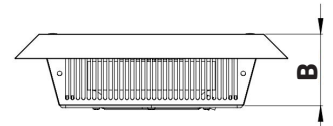
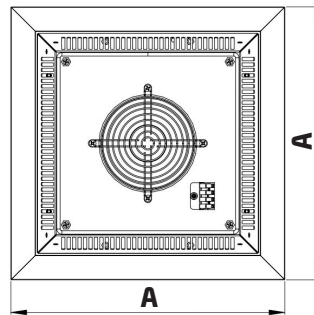
CODE	DESCRIPTION	SUPPLY	CAPACITY (m ³ /h)
V03 160 003	UNFILTERED IP20 QUICK CONNECT 172x150x51	230V-50/60Hz	350
V03 162 004	UNFILTERED IP20 QUICK CONNECT 170x150x55	230V-50/60Hz	350
V03 162 006	UNFILTERED IP20 QUICK CONNECT 172x150x51	110V-50/60Hz	350
V03 175 003	UNFILTERED IP20 QUICK CONNECT Ø175 RADYAL	230V-50/60Hz	470
V03 190 006	UNFILTERED IP20 QUICK CONNECT Ø190 RADYAL	230V-50/60Hz	600
V03 220 006	UNFILTERED IP20 QUICK CONNECT Ø220 RADYAL	230V-50/60Hz	1000
V03 120 001	UNFILTERED IP20 QUICK CONNECT 120x120x38	230V-50/60Hz	180
V03 133 001	UNFILTERED IP20 QUICK CONNECT Ø133 RADYAL	230V-50/60Hz	230

Ventilation / Roof Fans



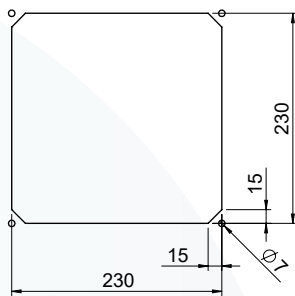
METAL ROOF FANS (WITH FILTER)

CODE	FAN TYPE	A	B
V03 190 005	Filtered Metal Fan Module 190 mm - 600 m ³	400	105
V03 220 005	Filtered Metal Fan Module 220 mm - 1000 m ³		
V03 250 003	Filtered Metal Fan Module 250 mm - 1300 m ³	461	115

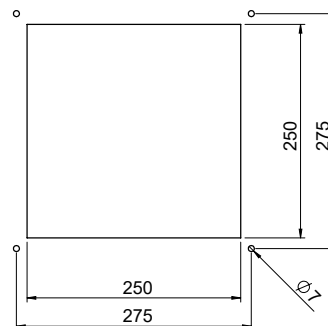


METAL FANS (WITHOUT FILTER)

CODE	FAN TYPE	A	B
V03 190 004	Filtered Metal Fan Module 190 mm - 600 m ³	400	105
V03 220 004	Filtered Metal Fan Module 220 mm - 1000 m ³		
V03 250 002	Filtered Metal Fan Module 250 mm - 1300 m ³	461	115

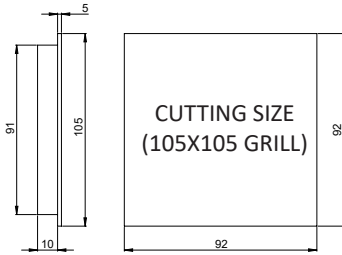


V03 190 004
V03 190 005
V03 220 004
V03 220 005

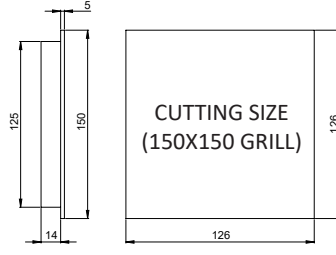


V03 250 002
V03 250 003

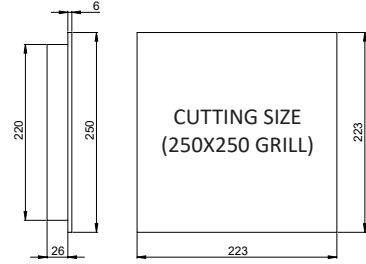
Ventilation / Fan Filters



V01 110 002
V01 110 003



V01 160 002
V01 160 003



V01 260 005
V01 260 006
V01 260 007
V01 260 008
V01 260 010

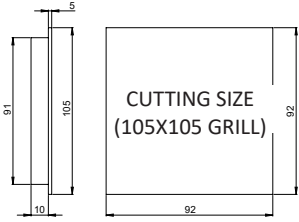
FAN FILTERS

CODE	GRILL	FAN TYPE	SUPPLY	FILTERED (m3/h)	UNFILTERED (m3/h)
V01 110 002	105x105	80x80x25	110V-50/60Hz	29	36
V01 160 002	150x150	120x120x38	110V-50/60Hz	130	163
V01 260 005	250x250	172x150x51	110V-50/60Hz	288	361
V01 260 006	250x250	170x150x55	110V-50/60Hz	282	353
V01 260 010	250x250	225x225x80	110V-50/60Hz	800	1.020

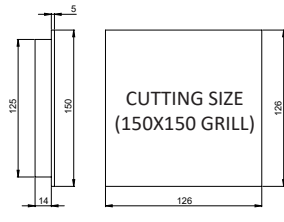
FAN FILTERS

CODE	GRILL	FAN TYPE	SUPPLY	FILTERED (m3/h)	UNFILTERED (m3/h)
V01 110 003	105x105	80x80x25	24V DC	55	69
V01 160 003	150x150	120x120x38	24V DC	132	166
V01 260 007	250x250	120x120x38	24V DC	132	166
V01 260 008	250x250	172x150x51	24V DC	288	361

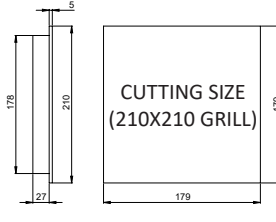
Ventilation / Fan Filters



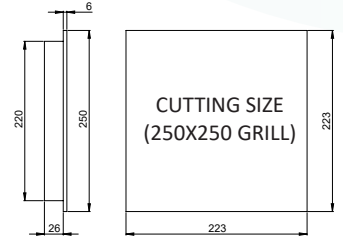
V01 110 001



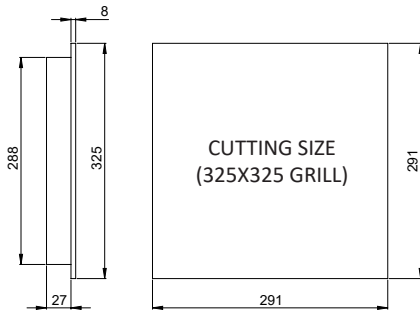
V01 160 001



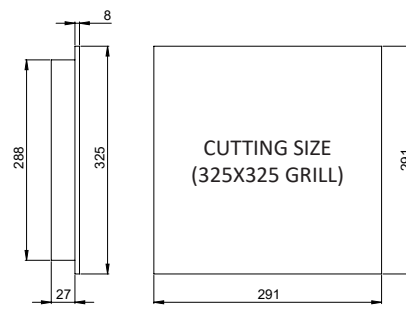
V01 210 001



V01 260 001
V01 260 002
V01 260 003
V01 260 004



V01 325 001

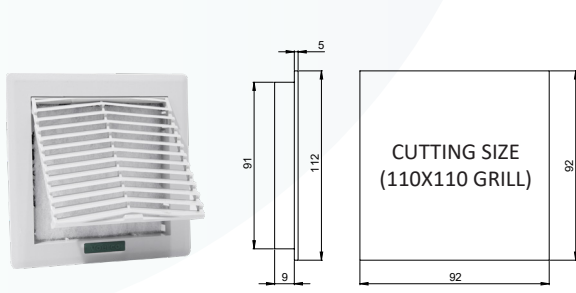


V01 325 002

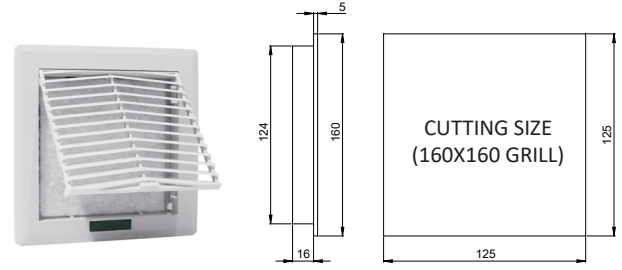
FAN FILTERS

CODE	GRILL	FAN TYPE	SUPPLY	FILTERED (m3/h)	UNFILTERED m3/h)
V01 110 001	105x105	80x80x38	230V-50/60Hz	34	43
V01 160 001	150x150	120x120x38	230V-50/60Hz	130	163
V01 210 001	210x210	120x120x38	230V-50/60Hz	130	163
V01 260 001	250x250	120x120x38	230V-50/60Hz	130	163
V01 260 002	250x250	170x150x55	230V-50/60Hz	285	350
V01260 003	250x250	172x150x51	230V-50/60Hz	288	361
V01 260 004	250x250	225x225x80	230V-50/60Hz	755	944
V01 325 001	325x325	Ø 220x60	230V-50/60Hz	520	650
V01 325 002	325x325	280x280x80	230V-50/60Hz	1533	1917

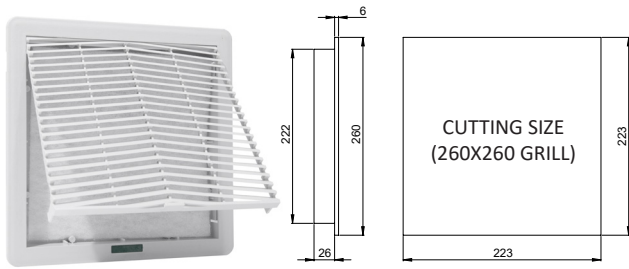
Ventilation/ Filters



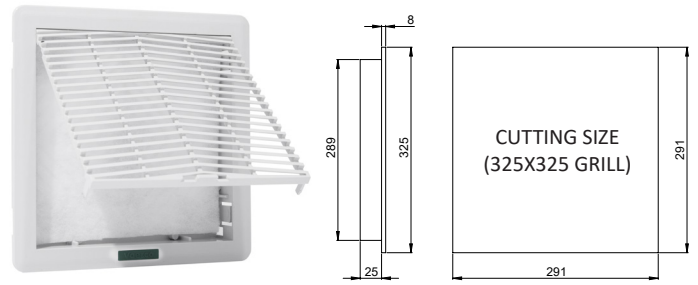
V02 110 003
V02 110 004



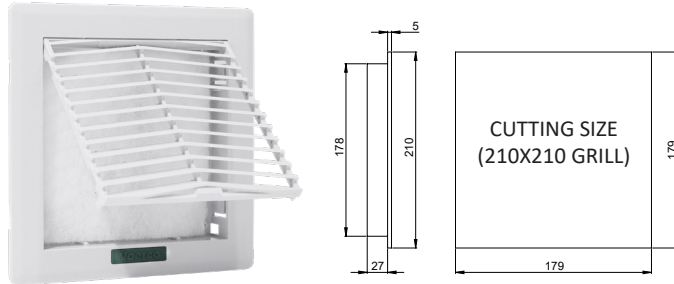
V02 160 003
V02 160 004



V02 260 003
V02 260 004



V02 325 003
V02 325 004

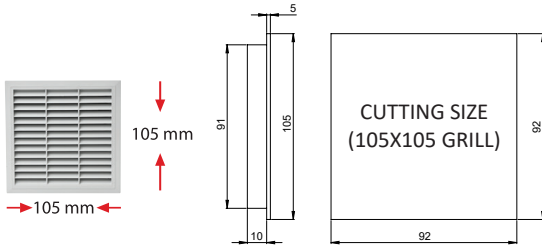


V02 210 003
V02 210 004

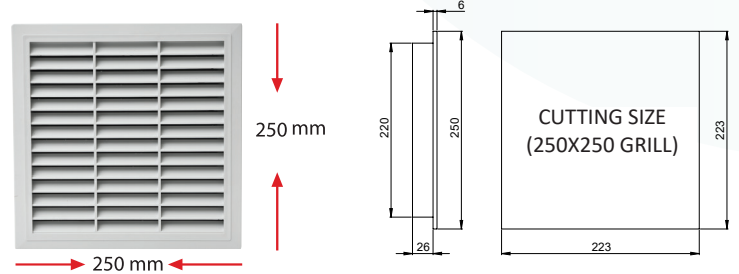
FM SERIES EASY SETUP FILTER

CODE	DESCRIPTION	COLOR
V02 110 003	110x110 FILTERED GRAY GRILL IP 54	RAL 7035
V02 110 004	110x110 FILTERED GRAY GRILL IP 54	RAL 9005
V02 160 003	160x160 FILTERED GRAY GRILL IP 54	RAL 7035
V02 160 004	160x160 FILTERED GRAY GRILL IP 54	RAL 9005
V02 210 003	210x210 FILTERED GRAY GRILL IP 54	RAL 7035
V02 210 004	210x210 FILTERED GRAY GRILL IP 54	RAL 9005
V02 260 003	260x260 FILTERED GRAY GRILL IP 54	RAL 7035
V02 260 004	260x260 FILTERED GRAY GRILL IP 54	RAL 9005
V02 325 003	325x325 FILTERED GRAY GRILL IP 54	RAL 7035
V02 325 004	325x325 FILTERED GRAY GRILL IP 54	RAL 9005

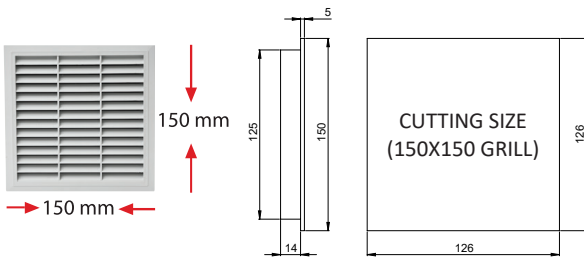
Ventilation/ Filters



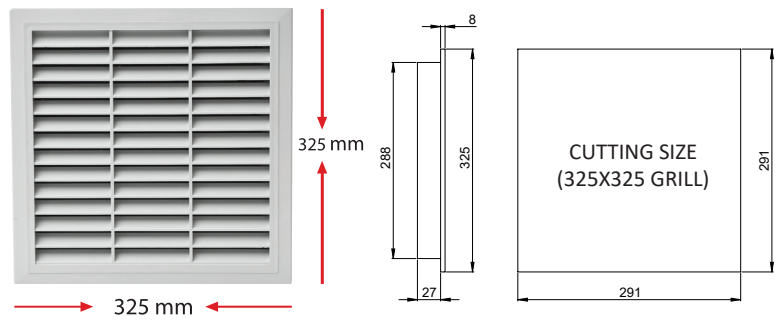
V02 110 001
V02 110 002



V02 260 001
V02 260 002



V02 160 001
V02 160 002



V02 325 001
V02 325 002

FME SERIES EASY SETUP FILTER

CODE	DESCRIPTION	COLOR
V02 110 001	105x105 FILTERED GRAY GRILL IP 54	RAL 7035
V02 110 002	105x105 FILTERED BLACK GRILL IP 54	RAL 9005
V02 160 001	150x150 FILTERED GRAY GRILL IP 54	RAL 7035
V02 160 002	150x150 FILTERED BLACK GRILL IP 54	RAL 9005
V02 260 001	250x250 FILTERED GRAY GRILL IP 54	RAL 7035
V02 260 002	250x250 FILTERED BLACK GRILL IP 54	RAL 9005
V02 325 001	325x325 FILTERED GRAY GRILL IP 54	RAL 7035
V02 325 002	325x325 FILTERED BLACK GRILL IP 54	RAL 9005

Ventilation / Thermostats / Heaters



FAN THERMOSTATS			
CODE	DESCRIPTION	ADJUSTMENT	TYPE
V10 01M 001	FAN THERMOSTAT	0-60°	INO



HEATER THERMOSTATS			
CODE	DESCRIPTION	ADJUSTMENT	TYPE
V10 02K 001	HEATER THERMOSTAT	0-60°	INC



DUAL THERMOSTATS			
CODE	DESCRIPTION	ADJUSTMENT	TYPE
V10 05M 001	FAN + HEATER THERMOSTAT	0-60°	INO + INC



HYGROSTAT			
CODE	DESCRIPTION	ADJUSTMENT	TYPE
V10 03H 001	HYGROMETER	10-95 %RH	ICO



ROOM THERMOSTATS			
CODE	DESCRIPTION	ADJUSTMENT	TYPE
V10 04R 001	ROOM THERMOSTAT	-	-



PANEL HEATERS - MPH SERIES			
CODE	DESCRIPTION	SUPPLY	CONNECTION
V11 015 001	15 W PANEL HEATERS	110-250V AC / DC	CABLE CONNECTION
V11 025 001	25 W PANEL HEATERS	110-250V AC / DC	CABLE CONNECTION



PANEL HEATERS - PH SERIES			
CODE	DESCRIPTION	SUPPLY	CONNECTION
V11 030 001	30 W PANEL HEATERS	110-250V AC / DC	TERMINAL
V11 045 001	45 W PANEL HEATERS	110-250V AC / DC	TERMINAL
V11 060 001	60 W PANEL HEATERS	110-250V AC / DC	TERMINAL
V11 075 001	75 W PANEL HEATERS	110-250V AC / DC	TERMINAL
V11 100 001	100 W PANEL HEATERS	110-250V AC / DC	TERMINAL
V11 150 001	150 W PANEL HEATERS	110-250V AC / DC	TERMINAL



PANEL HEATERS WITH HEATERS - PFH SERIES			
CODE	DESCRIPTION	SUPPLY	CONNECTION
V12 250 001	250 W PANEL HEATERS	220-240V AC	TERMINAL
V12 400 001	400 W PANEL HEATERS	220-240V AC	TERMINAL

Accessories



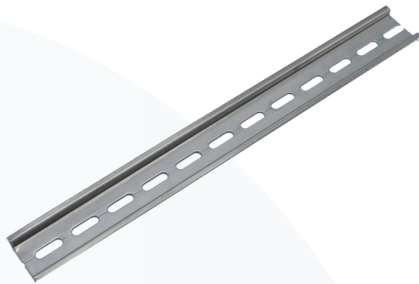
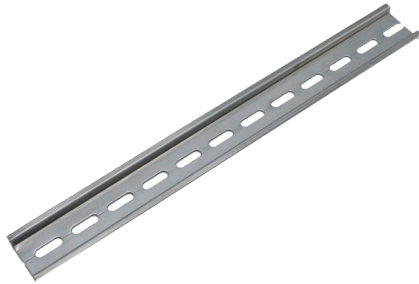
ÇP 4982



ÇP 4977



ÇP 4980



THREE PHASE INSULATED BUSBAR

CODE	AMPER	DESCRIPTION
CP 4970	63 A	Triphase Busbar 53 cm 1 mm
CP 4971	63 A	Triphase Busbar 106 cm 1 mm
CP 4982	80 A	Triphase Busbar 53 cm 1 mm
CP 4982-1	80 A	Triphase Busbar 106 cm 1 mm
CP 4972	100 A	Triphase Busbar 53 cm 1,5 mm
CP 4973	100 A	Triphase Busbar 106 cm 1,5 mm
CP 4995		Triphase Busbar Busbar Cover

SINGLE PHASE INSULATED BUSBARS

CODE	DESCRIPTION
CP 4976	Monophase Busbar 53 cm 1 mm
CP 4977	Monophase Busbar 106 cm 1 mm
CP 4978	Monophase Busbar 53 cm 1,5 mm
CP 4979	Monophase Busbar 106 cm 1,5 mm
CP 4996	Monophase Busbar Cover

EARTHING BUSBAR

CODE	DESCRIPTION
CP 4974	Earthing Busbar 2 mm 31 Vida
CP 4975	Earthing Busbar 2 mm 61 Vida
CP 4980	Earthing Busbar 1,5 mm 31 Vida
CP 4981	Earthing Busbar 1,5 mm 61 Vida

DIN RAILS (35x7,5)

CODE	DESCRIPTION
CP 4983	Galvanized Din Rail Perforated 1 m
CP 4984	Galvanized Din Rail Perforated 2 m
CP 4985	Galvanized Din Rail Slotted 1 m
CP 4986	Galvanized Din Rail Slotted 2 m

Production can be made regarding to your demands.

DIN RAILS (35x15)

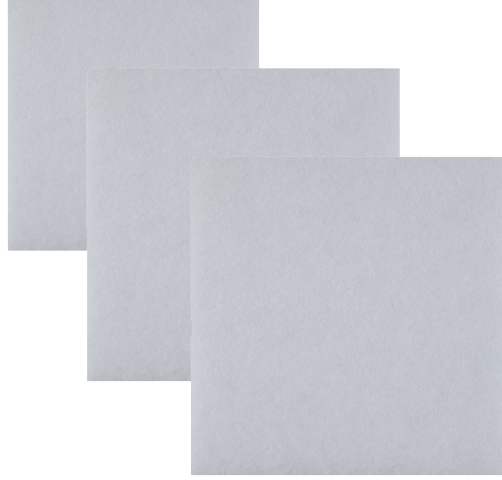
CODE	DESCRIPTION
CP 4987	Galvanized Din Rail Perforated 1 m
CP 4988	Galvanized Din Rail Perforated 2 m
CP 4989	Galvanized Din Rail Slotted 1 m
CP 4990	Galvanized Din Rail Slotted 2 m

Production can be made regarding to your demands.

DIN RAIL SUPPORT

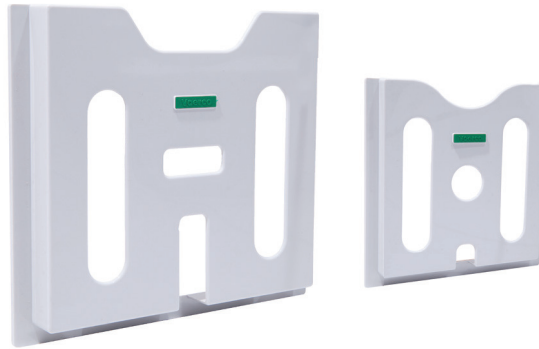
CODE	DESCRIPTION
CP 4991	Din Rail Support

Ventilation / Accessories



FILTERS - VFM SERIES

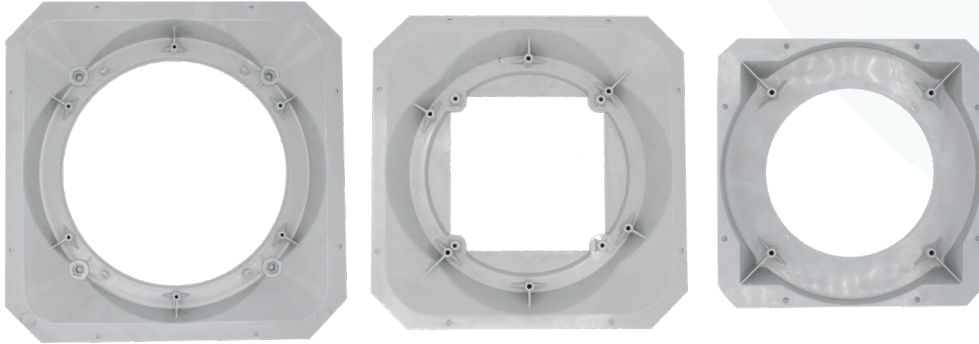
CODE	DESCRIPTION
V14 110 001	110X110 mm
V14 150 001	150x150 mm
V14 210 001	210x210 mm
V14 250 001	250x250 mm
V14 325 001	325x325 mm



PROJECT BOARD

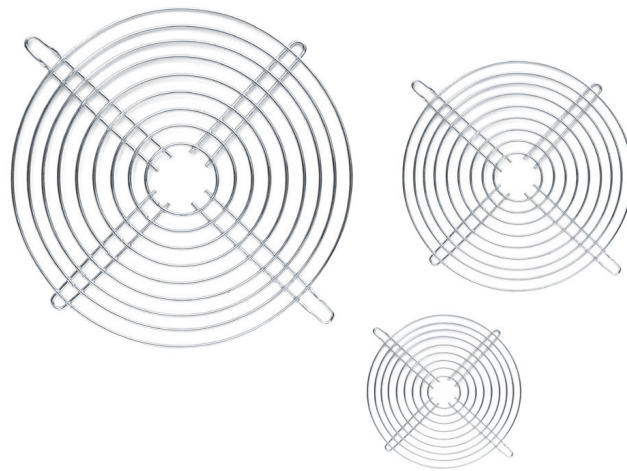
CODE	DESCRIPTION
V15 A4 001	A4 PROJECT BOARD
V15 A5 001	A5 PROJECT BOARD

Ventilation / Accessories



FAN GRILL HOODS

CODE	DESCRIPTION
V17 204 001	210 MENFEZ DAVLUMBAZI
V17 250 001	260 MENFEZ DAVLUMBAZI
V17 325 001	325 MENFEZ DAVLUMBAZI



METAL FAN PROTECTION WIRES - VT SERIES

CODE	DESCRIPTION
V13 080 001	80X80 mm
V13 090 001	90x90 mm
V13 120 001	120x120 mm
V13 170 001	170x170 mm
V13 225 001	225x225 mm
V13 280 001	280x280 mm

Ventilation / Fans



PRO COMPACT AC FANS

CODE	SIZE	BEARING	SUPPLY (50-60 HZ)	CURRENT (A)	POWER (W)	SPEED (RPM)	CAPACITY (m3/h)
V04 172 002	172x150x51	BALL	220V AC	0.21	34	2900	361
V04 172 001	172x150x51	BALL	110V AC	0.47	36	2900	361
V04 180 001	180x180x65	BALL	220V AC	0.22	45	2800	629
V04 200 001	200x200x60	BALL	220V AC	0.48	68	2550	650
V04 220 001	Ø220x60	BALL	220V AC	0.32	48	2600	650
V04 225 001	225x225x80	BALL	220V AC	0.31	70	2650	1.020
V04 225 002	225x225x80	BALL	110V AC	0.67	70	2650	1.020
V04 280 001	280x280x280	BALL	220V AC	0.60	135	2600	1917
V04 280 002	280x280x280	BALL	110V AC	1.20	135	2600	1917

PRO COMPACT AC FANS

CODE	SIZE	BEARING	SUPPLY (50-60 HZ)	CURRENT (A)	POWER (W)	SPEED (RPM)	CAPACITY (m3/h)
V04 080 001	80x80x25	SLEEVE	220V AC	0.09	14	2500	36
V04 080 003	80x80x25	SLEEVE	110V AC	0.15	14	2500	36
V04 080 002	80x80x38	SLEEVE	220V AC	0.06	9	2750	43
V04 092 002	92x92x25	SLEEVE	220V AC	0.09	15	2600	57
V04 092 001	92x92x38	SLEEVE	220V AC	0.06	9	2550	72
V04 092 003	92x92x38	SLEEVE	110V AC	0.21	15	2550	72
V04 120 002	120x120x25	SLEEVE	220V AC	0.09	15	2500	121
V04 120 004	120x120x38	SLEEVE	220V AC	0.13	19	2800	163
V04 120 009	120x120x38	BALL	220V AC	0.16	26	2800	179
V04 120 005	120x120x38	SLEEVE	220V AC	0.13	20	2800	163
V04 120 001	120x120x38	SLEEVE	110V AC	0.36	26	2800	163
V04 120 006	120x120x38	BALL	220V AC	0.13	20	2800	163
V04 120 003	120x120x38	BALL	220V AC	0.15	24	2800	192
V04 120 008	120x120x38	BALL	220V AC	0.15	24	2800	192
V04 120 007	120x120x38	BALL	110V AC	0.21	24	2800	192
V04 135 001	135x135x38	BALL	220V AC	0.18	22	2850	212
V04 150 001	150x150x50	BALL	220V AC	0.19	25	2700	339
V04 170 001	170x150x55	BALL	220V AC	0.23	33	2950	353
V04 170 002	170x150x55	BALL	110V AC	0.54	41	2950	353

Ventilation / Fans



PRO COMPACT DC FANS

CODE	SIZE	BEARING	SUPPLY (50-60 HZ)	CURRENT (A)	POWER (W)	SPEED (RPM)	CAPACITY (m3/h)
V05 040 001	40x40x10	SLEEVE	12V DC	0.10	1.2	7500	18
V05 040 002	40x40x10	SLEEVE	24V DC	0.08	1.92	7500	18
V05 050 001	50x50x10	SLEEVE	12V DC	0.10	1.2	6000	23
V05 050 002	50x50x10	SLEEVE	24V DC	0.06	1.92	6000	23
V05 060 001	60x60x25	SLEEVE	12V DC	0.19	2.4	4500	37
V05 060 002	60x60x25	SLEEVE	24V DC	0.11	2.4	4500	37
V05 080 002	80x80x25	SLEEVE	12V DC	0.3	3.6	3500	69
V05 080 001	80x80x25	SLEEVE	24V DC	0.15	3.6	3500	69
V05 092 001	92x92x25	SLEEVE	12V DC	0.36	4.2	3500	103
V05 092 002	92x92x25	SLEEVE	24V DC	0.21	5.5	3500	103
V05 120 001	120x120x25	SLEEVE	12V DC	0.45	5.40	3200	148
V05 120 002	120x120x25	SLEEVE	24V DC	0.25	6	3200	148
V05 120 005	120x120x38	SLEEVE	12V DC	0.3	3.6	2500	166
V05 120 003	120x120x38	SLEEVE	24V DC	0.2	4.8	2500	166
V05 120 004	120x120x38	BALL	48V DC	0.1	4.8	2500	166
V05 172 001	172x150x51	BALL	12V DC	2.6	31.2	3000	365
V05 172 002	172x150x51	BALL	24V DC	1.3	31.2	3000	365



RADIAL FANS

CODE	DESCRIPTION
V06 133 001	Ø133 BACKWARD WIDE WINGED
V06 175 001	Ø175 BACKWARD WIDE WINGED
V06 190 001	Ø190 BACKWARD WIDE WINGED
V06 220 001	Ø220 BACKWARD WIDE WINGED

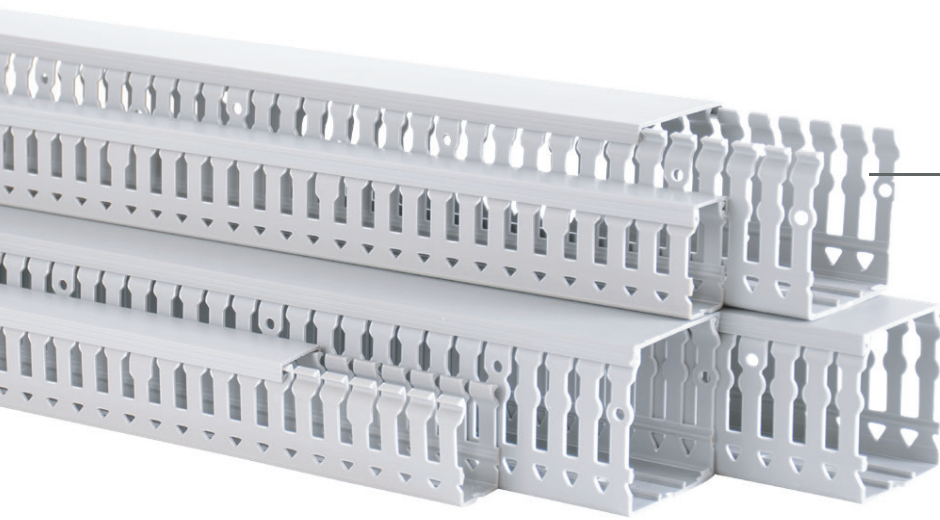
Ventilation / Fans



ECO COMPACT AXIAL FANS

CODE	SUPPLY	SIZE	BEARING	CONNECTION
BRZ 01	220 VAC	120x120x25	SLEEVE	CABLE
BRZ 02	220 VAC	120x120x38	SLEEVE	CABLE
BRZ 03	220 VAC	120x120x38	SLEEVE	SOCKET
BRZ 04	12 VDC	120x120x25	SLEEVE	CABLE
BRZ 05	24 VDC	120x120x25	SLEEVE	CABLE
BRZ 06	12 VDC	120x120x38	SLEEVE	CABLE
BRZ 07	24 VDC	120x120x38	SLEEVE	CABLE
BRZ 08	110 VAC	120x120x38	SLEEVE	CABLE
BRZ 09	48 VDC	120x120x38	SLEEVE	CABLE
BRZ 10	220 VAC	90x90x25	SLEEVE	CABLE
BRZ 11	220 VAC	90x90x38	SLEEVE	CABLE
BRZ 12	12 VDC	90x90x25	SLEEVE	CABLE
BRZ 13	24 VDC	90x90x25	SLEEVE	CABLE
BRZ 14	220 VAC	80x80x38	SLEEVE	CABLE
BRZ 15	220 VAC	80x80x25	SLEEVE	CABLE
BRZ 16	12 VDC	80x80x25	SLEEVE	CABLE
BRZ 17	24 VDC	80x80x25	SLEEVE	CABLE
BRZ 18	24 VDC	60x60x20	SLEEVE	CABLE
BRZ 19	24 VDC	50x50x10	SLEEVE	CABLE
BRZ 20	24 VDC	40x40x10	SLEEVE	CABLE
BRZ 21	220 VAC	172x150x51	SLEEVE	CABLE
BRZ 22	24 VDC	172x150x51	SLEEVE	CABLE
BRZ 23	115 VAC	172x150x51	SLEEVE	CABLE
BRZ 24	220 VAC	Ø220X60	SLEEVE	CABLE

Wiring Ducts : 6mm - 4mm Rib Space Option



Due to their 6mm and 4 mm rib space design, makes easy to use different cable dimensions.

SLOTTED WIRING DUCTS 6 mm

CODE	DESCRIPTION	PACK BOX/m
CWD 2525-G	25x25 SLOTTED WIRING DUCTS	120 m
CWD 2540-G	25x40 SLOTTED WIRING DUCTS	100 m
CWD 2560-G	25x60 SLOTTED WIRING DUCTS	60 m
CWD 2580-G	25x80 SLOTTED WIRING DUCTS	48 m
CWD 2510-G	25x100 SLOTTED WIRING DUCTS	32 m
CWD 4025-G	40x25 SLOTTED WIRING DUCTS	80 m
CWD 4040-G	40x40 SLOTTED WIRING DUCTS	52 m
CWD 4060-G	40x60 SLOTTED WIRING DUCTS	36 m
CWD 4080-G	40x80 SLOTTED WIRING DUCTS	48 m
CWD 4010-G	40x100 SLOTTED WIRING DUCTS	40 m
CWD 6040-G	60x40 SLOTTED WIRING DUCTS	36 m
CWD 6060-G	60x60 SLOTTED WIRING DUCTS	48 m
CWD 6080-G	60x80 SLOTTED WIRING DUCTS	36 m
CWD 6010-G	60x100 SLOTTED WIRING DUCTS	24 m
CWD 8040-G	80x40 SLOTTED WIRING DUCTS	48 m
CWD 8060-G	80x60 SLOTTED WIRING DUCTS	32 m
CWD 8080-G	80x80 SLOTTED WIRING DUCTS	24 m
CWD 8010-G	80x100 SLOTTED WIRING DUCTS	16 m
CWD 1060-G	100x60 SLOTTED WIRING DUCTS	24 m
CWD 1080-G	100x80 SLOTTED WIRING DUCTS	20 m
CWD 1010-G	100x100 SLOTTED WIRING DUCTS	16 m
CWD 1260-G	120x60 SLOTTED WIRING DUCTS	16 m
CWD 1280-G	120x80 SLOTTED WIRING DUCTS	16 m
CWD 1210-G	120x100 SLOTTED WIRING DUCTS	16 m

SLOTTED WIRING DUCTS 4 mm

CODE	DESCRIPTION	PACK BOX/m
CWD 2525-4	25x25 SLOTTED WIRING DUCTS	120 m
CWD 2540-4	25x40 SLOTTED WIRING DUCTS	100 m
CWD 2560-4	25x60 SLOTTED WIRING DUCTS	60 m
CWD 2580-4	25x80 SLOTTED WIRING DUCTS	48 m
CWD 4025-4	40x25 SLOTTED WIRING DUCTS	80 m
CWD 4040-4	40x40 SLOTTED WIRING DUCTS	52 m
CWD 4060-4	40x60 SLOTTED WIRING DUCTS	36 m
CWD 4080-4	40x80 SLOTTED WIRING DUCTS	48 m
CWD 6040-4	60x40 SLOTTED WIRING DUCTS	36 m
CWD 6060-4	60x60 SLOTTED WIRING DUCTS	48 m
CWD 6080-4	60x80 SLOTTED WIRING DUCTS	36 m
CWD 8040-4	80x40 SLOTTED WIRING DUCTS	48 m
CWD 8060-4	80x60 SLOTTED WIRING DUCTS	32 m
CWD 8080-4	80x80 SLOTTED WIRING DUCTS	24 m
CWD 1060-4	100x60 SLOTTED WIRING DUCTS	24 m
CWD 1080-4	100x80 SLOTTED WIRING DUCTS	20 m
CWD 1260-4	120x60 SLOTTED WIRING DUCTS	16 m
CWD 1280-4	120x80 SLOTTED WIRING DUCTS	16 m

**A- E SERIES
METAL ENCLOSURES**



**A-BT SERIES
TERMINAL PUSH
BUTTON BOXES**



**A-CPD
SERIES**



**A SERIES METAL
CABINETS**



**A-KM SERIES
CONTROL PANELS**

Curved Safety Glass Door Cabinets



A - CPD Series Surface Mounting Curved Glass Door Cabinets

S.M. (SURFACE MOUNTING) - WITH MOUNTING PLATE

CODE	SIZE (WxHxD)	DESCRIPTION
CPD 6006020 SUM	60x60x20	WITH MOUNTING PLATE
CPD 6007520 SUM	60x75x20	WITH MOUNTING PLATE
CPD 6009020 SUM	60x90x20	WITH MOUNTING PLATE
CPD 6010520 SUM	60x105x20	WITH MOUNTING PLATE
CPD 6012025 SUM	60x120x25	WITH MOUNTING PLATE
CPD 6015025 SUM	60x150x25	WITH MOUNTING PLATE
CPD 6018025 SUM	60x180x25	WITH MOUNTING PLATE



CPD 6006020 SUM

S.M. CURVED SAFETY GLASS (MCB. + BLANK COVER)

CODE	SIZE (WxHxD)	DESCRIPTION
CPD 6006020 SUMP	60x60x20	48M (2x24 MCB.+B.C.+Compact)
CPD 6007520 SUMP	60x75x20	72M (3x24 MCB.+B.C.+Compact)
CPD 6009020 SUMP	60x90x20	96M (4x24 MCB.+B.C.+Compact)
CPD 6010520 SUMP	60x105x20	120M (5x24 MCB.+B.C.+Compact)
CPD 6012025 SUMP	60x120x25	144M (6x24 MCB.+B.C.+Compact)
CPD 6015025 SUMP	60x150x25	192M (8x24 MCB.+B.C.+Compact)
CPD 6018025 SUMP	60x180x25	240M (10x24 MCB.+B.C.+Compact)



CPD 6007520 SUMP

S.M. CURVED SAFETY GLASS SWITCHBOARD CABINETS

CODE	SIZE (WxHxD)	DESCRIPTION
CPD 6006020 SUMS	60x60x20	72M (3x24 MCB)
CPD 6007520 SUMS	60x75x20	96M (4x24 MCB)
CPD 6009020 SUMS	60x90x20	120M (5x24 MCB)
CPD 6010520 SUMS	60x105x20	144M (6x24 MCB)
CPD 6012025 SUMS	60x120x25	168M (7x24 MCB)
CPD 6015025 SUMS	60x150x25	216M (9x24 MCB)
CPD 6018025 SUMS	60x180x25	264M (11x24 MCB)



CPD 6009020 SUMS

Thickness is 1.20 mm for these enclosures.
The enclosures are painted with RAL 7035 epoxy polyester powder paint.
Doors are sealed with polyurethane liquid gasket.



A - CPD Series Surface Mounting Curved Glass Door Cabinets

SURFACE DISTRIBUTION CABINETS WITH MOUNTING PLATE

CODE	SIZE (WxHxD)	DESCRIPTION
CPD 4005015 SUM	40x50x15	WITH MOUNTING PLATE
CPD 4006515 SUM	40x65x15	WITH MOUNTING PLATE
CPD 4505015 SUM	45x50x15	WITH MOUNTING PLATE
CPD 4506515 SUM	45x65x15	WITH MOUNTING PLATE



CPD 4005015 SUM

SURFACE MOUNTING DISTRIBUTION CABINETS - WITH DIN RAIL + BLANK COVER

CODE	SIZE (WxHxD)	DESCRIPTION
CPD4005015 SUPP	40x50x15	2x15 + Blank Cover
CPD4006515 SUPP	40x65x15	3x15 + Blank Cover
CPD4505015 SUPP	45x50x15	2x17+ Blank Cover
CPD4506515 SUPP	45x65x15	3x17 + Blank Cover



CPD 4006515 SUPP

SURFACE MOUNTING DISTRIBUTION CABINETS - WITH DIN RAIL

CODE	SIZE (WxHxD)	DESCRIPTION
CPD4005015 SUPS	40x50x15	3x15
CPD4006515 SUPS	40x65x15	4x15
CPD4505015 SUPS	45x50x15	3x17
CPD4506515 SUPS	45x65x15	4x17



CPD 4005015 SUPS

Thickness is 1.20 mm for these enclosures.
The enclosures are painted with RAL 7035 epoxy polyester powder paint.
Doors are sealed with polyurethane liquid gasket.
Cover plates made from plastic material.



A - CPD Series Flush Mounting Curved Glass Door Cabinets

FLUSH MOUNTING DISTRIBUTION CABINETS WITH MOUNTING PLATE

CODE	SIZE (WxHxD)	DESCRIPTION
CPD 6006010 SAM	60x60x10	WITH MOUNTING PLATE
CPD 6007510 SAM	60x75x10	WITH MOUNTING PLATE
CPD 6009010 SAM	60x90x10	WITH MOUNTING PLATE
CPD 6010510 SAM	60x105x10	WITH MOUNTING PLATE



CPD 6007510 SAM

FLUSH MOUNTING DISTRIBUTION CABINETS WITH DIN RAIL + BLANK COVER

CODE	SIZE (WxHxD)	DESCRIPTION
CPD 6006010 SAPP	60x60x10	3x22 + Blank Cover
CPD 6007510 SAPP	60x75x10	4x22 + Blank Cover
CPD 6009010 SAPP	60x90x10	5x22 + Blank Cover
CPD 6010510 SAPP	60x105x10	6x22 + Blank Cover



CPD 6006010 SAPP

FLUSH MOUNTING DISTRIBUTION CABINETS WITH DIN RAIL

CODE	SIZE (WxHxD)	DESCRIPTION
CPD 6006010 SAPS	60x60x10	4x22
CPD 6007510 SAPS	60x75x10	5x22
CPD 6009010 SAPS	60x90x10	6x22
CPD 6010510 SAPS	60x105x10	7x22



CPD6006010 SAPS

Thickness is 1.20 mm for these enclosures.
The enclosures are painted with RAL 7035 epoxy polyester powder paint.
Doors are sealed with polyurethane liquid gasket.
Cover plates made from plastic material.



A - CPD Series Flush Mounting Safety Glass Door

FLUSH MOUNTING DISTRIBUTION CABINETS WITH MOUNTING PLATE

CODE	SIZE (WxHxD)	DESCRIPTION
CPD 4005010 SAM	40x50x10	WITH MOUNTING PLATE
CPD 4006510 SAM	40x65x10	WITH MOUNTING PLATE
CPD 4505010 SAM	45x50x10	WITH MOUNTING PLATE
CPD 4506510 SAM	45x65x10	WITH MOUNTING PLATE



CPD 4005010 SAM

FLUSH MOUNTING DISTRIBUTION CABINETS WITH DIN RAIL + BLANK COVER

CODE	SIZE (WxHxD)	DESCRIPTION
CPD 4005010 SAPP	40x50x10	2x15 + Blank Cover
CPD 4006510 SAPP	40x65x10	3x15 + Blank Cover
CPD 4505010 SAPP	45x50x10	2x17 + Blank Cover
CPD 4506510 SAPP	45x65x10	3x17 + Blank Cover



CPD 4005010 SAPP

FLUSH MOUNTING DISTRIBUTION CABINETS WITH DIN RAIL

CODE	SIZE (WxHxD)	DESCRIPTION
CPD 4005010 SAPS	40x50x10	3x15
CPD 4006510 SAPS	40x65x10	4x15
CPD 4505010 SAPS	45x50x10	3x17
CPD 4506510 SAPS	45x65x10	4x17



CPD 4006510 SAPS

Thickness is 1.20 mm for these enclosures.
The enclosures are painted with RAL 7035 epoxy polyester powder paint.
Doors are sealed with polyurethane liquid gasket.
Cover plates made from plastic material.

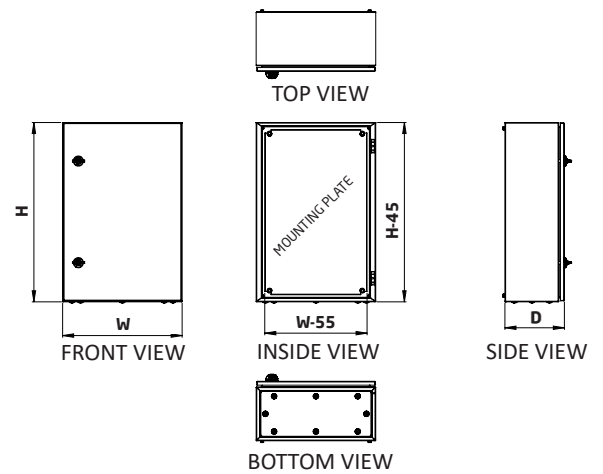
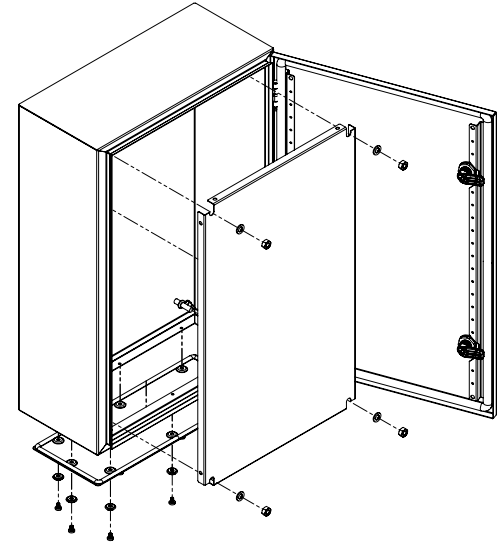


A - E Series Metal Enclosure

E SERIES				
CODE	W	H	D	THICKNESS
CP 202515 E	200	250	150	1,00
CP 203015 E	200	300	150	1,00
CP 253015 E	250	300	150	1,00
CP 303015 E	300	300	150	1,00
CP 303020 E	300	300	200	1,00
CP 303515 E	300	300	150	1,00
CP 303520 E	300	350	200	1,00
CP 304015 E	300	400	150	1,00
CP 304020 E	300	400	200	1,00
CP 304025 E	300	400	250	1,00
CP 354520 E	350	450	200	1,00
CP 354525 E	350	450	250	1,00
CP 404020 E	400	400	200	1,00
CP 405020 E	400	500	200	1,20
CP 405025 E	400	500	250	1,20
CP 406020 E	400	600	200	1,20
CP 406025 E	400	600	250	1,20
CP 406030 E	400	600	300	1,20
CP 506020 E	500	600	200	1,20
CP 506025 E	500	600	250	1,20
CP 506030 E	500	600	300	1,20
CP 507020 E	500	700	200	1,20
CP 507025 E	500	700	250	1,20
CP 507030 E	500	700	300	1,20
CP 607020 E	600	700	200	1,20
CP 607025 E	600	700	250	1,20
CP 608020 E	600	800	200	1,20
CP 608025 E	600	800	250	1,20
CP 608030 E	600	800	300	1,20
CP 609025 E	600	900	250	1,20
CP 609030 E	600	900	300	1,20
CP 6010020 E	600	1000	200	1,50
CP 6010025 E	600	1000	250	1,50
CP 6010030 E	600	1000	300	1,50
CP 6010040 E	600	1000	400	1,50
CP 6012020 E	600	1200	200	1,50
CP 6012030 E	600	1200	300	1,50
CP 6014030 E	600	1400	300	1,50
CP 6014040 E	600	1400	400	1,50
CP 7010020 E	700	1000	200	1,50
CP 7010025 E	700	1000	250	1,50
CP 7010030 E	700	1000	300	1,50
CP 7010040 E	700	1000	400	1,50
CP 7012020 E	700	1200	200	1,50
CP 7012030 E	700	1200	300	1,50
CP 7012040 E	700	1200	300	1,50
CP 7014030 E	700	1400	300	1,50
CP 7014040 E	700	1400	400	1,50
CP 8010020 E	800	1000	200	1,50
CP 8010025 E	800	1000	250	1,50
CP 8010030 E	800	1000	300	1,50
CP 8010040 E	800	1000	400	1,50
CP 8012025 E	800	1200	250	1,50
CP 8012030 E	800	1200	300	1,50
CP 8014030 E	800	1400	300	1,50
CP 8014040 E	800	1400	400	1,50



CP 406020 E

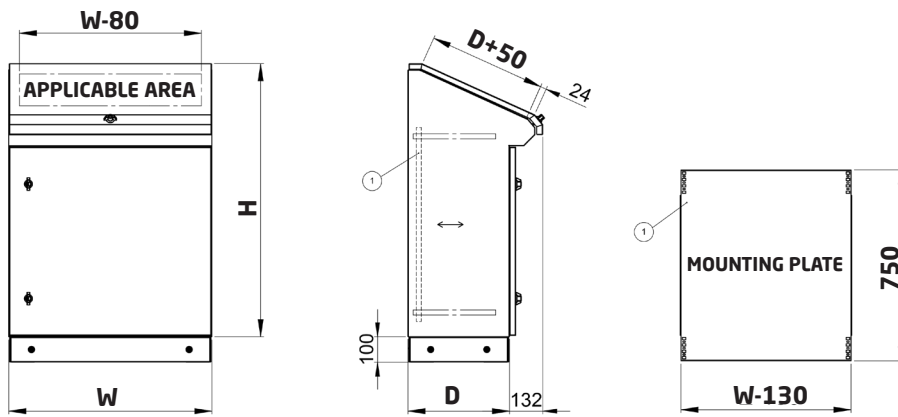


The enclosures are painted with RAL 7035 epoxy polyester powder paint.
Doors are sealed with polyurethane liquid gasket.

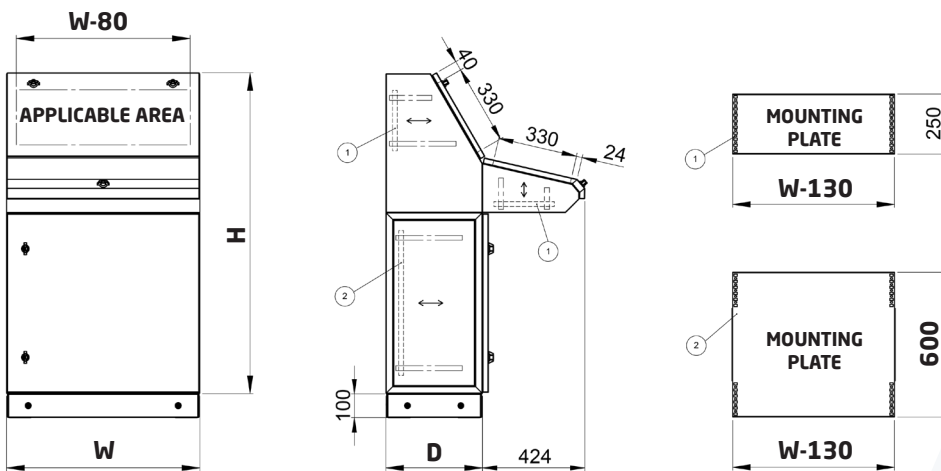


A - KM Series Control Panels

KMMN - CONTROL DESK ENCLOSURE MONOBLOCK SYSTEM			
CODE	W	H	D
KMMN0404	400	1075	400
KMMN0604	600	1075	400
KMMN0804	800	1075	400
KMMN1005	1000	1075	500
KMMN1205	1200	1075	500



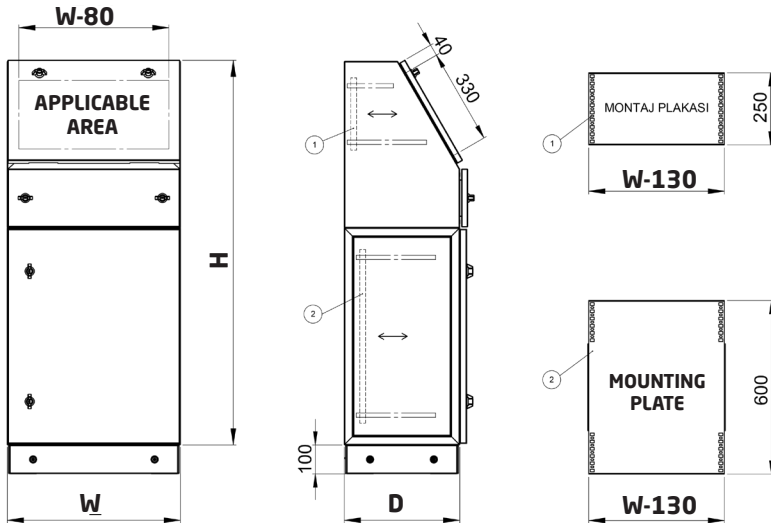
KMPY - CONTROL DESK ENCLOSURE PIANO SYSTEM			
CODE	W	H	D
KMPY0604	600	1325	400
KMPY0804	800	1325	400
KMPY1005	1000	1325	500
KMPY1205	1200	1325	500



A - KM Series Control Panels

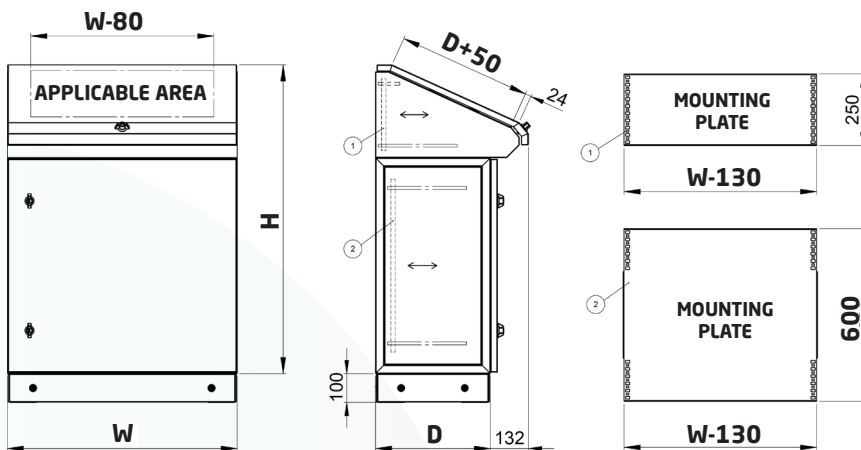
KMPC - CONTROL DESK ENCLOSURE PC SYSTEM

CODE	W	H	D
KMPC0604	600	1325	400
KMPC0804	800	1325	400



KMMD - CONTROL DESK ENCLOSURE MODULAR SYSTEM

CODE	W	H	D
KMMD0604	600	1075	400
KMMD0804	800	1075	400
KMMD1005	1000	1075	500
KMMD1205	1200	1075	500



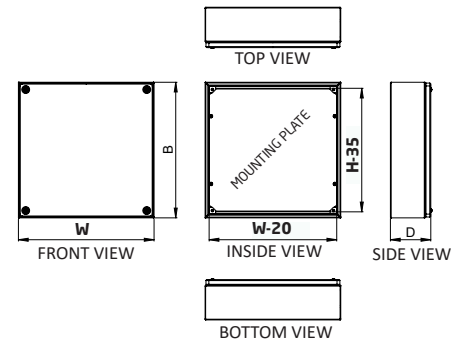
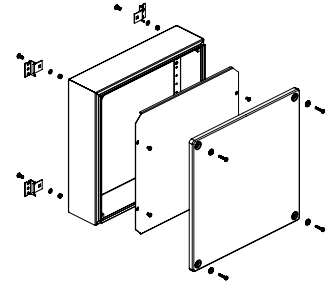
A - BT Series Terminal Push Button & Junction Boxes

METAL JUNCTION & TERMINAL BOXES

CODE	W	H	D	THICKNESS
CP 1515 T	150	150	120	1,20
CP 2020 T	200	200	120	1,20
CP 2520 T	250	200	120	1,20
CP 3020 T	300	200	120	1,20
CP 3025 T	300	250	120	1,20
CP 3030 T	300	300	120	1,20
CP 4020 T	400	200	120	1,20
CP 4030 T	400	300	120	1,20
CP 4040 T	400	400	120	1,20



CP 4040 T

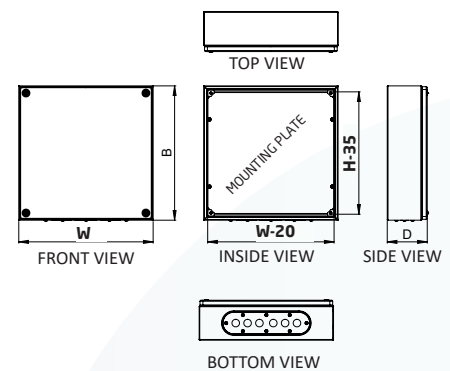
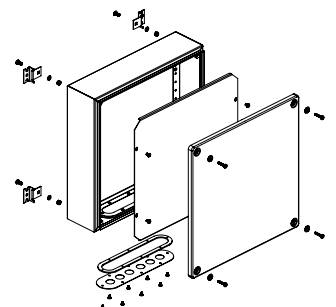


METAL JUNCTION & TERMINAL BOXES WITH CABLE ENTRY

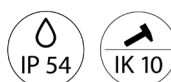
CODE	W	H	D	THICKNESS
CP 2020 F	200	200	120	1,20
CP 2520 F	250	200	120	1,20
CP 3020 F	300	200	120	1,20
CP 3025 F	300	250	120	1,20
CP 3030 F	300	300	120	1,20
CP 4020 F	400	200	120	1,20
CP 4030 F	400	300	120	1,20
CP 4040 F	400	400	120	1,20



CP 4040 F



The enclosures are painted with RAL 7035 epoxy polyester powder paint.
 Doors are sealed with polyurethane liquid gasket.



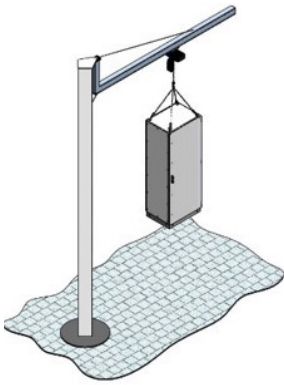
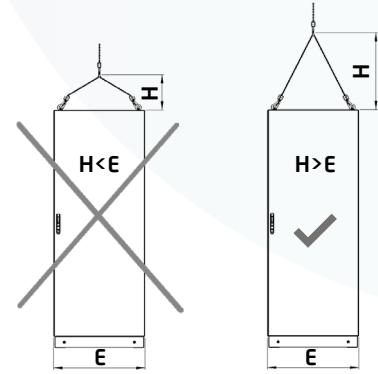
Loading



DIN 582 TAŞIMA HALKASI / EYEBOLT
M SERIES : M10
A SERIES : M12



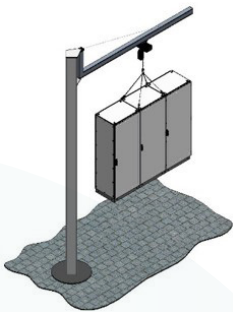
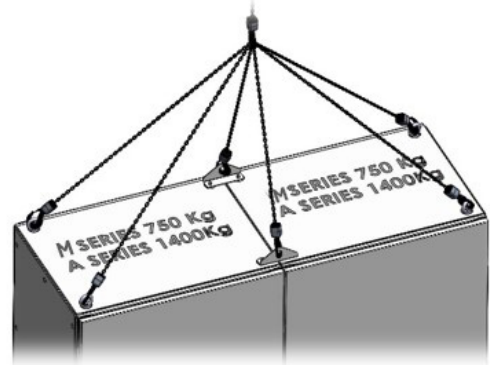
**İKİLİ TAŞIMA MAPASI
DUAL EYEBOLT**



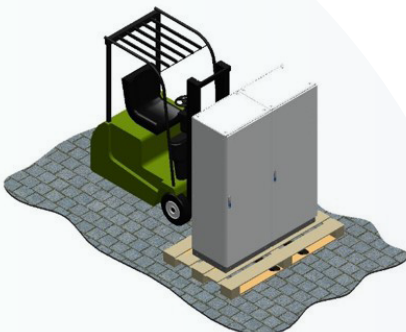
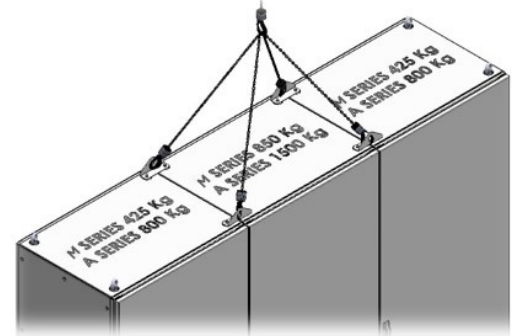
M SERIES MAX 800 KG
M SERIES MAX 8000 N
A SERIES MAX 1400 KG
A SERIES MAX 14000 N



M SERIES MAX 1500 KG
M SERIES MAX 15000 N
A SERIES MAX 2800 KG
A SERIES MAX 28000 N



M SERIES MAX 1700 KG
M SERIES MAX 17000 N
A SERIES MAX 3100 KG
A SERIES MAX 31000 N



M SERIES MAX 1800 KG
M SERIES MAX 18000 N
A SERIES MAX 3500 KG
A SERIES MAX 35000 N



Another innovation from Cetinkaya Pano

A Series Vertical Type Modular Enclosures
The new product of our R&D research
Earthquake is no longer a treat



Another innovation from Cetinkaya Pano.


Earthquakes, which are considered to be one of the most destructive types of natural disasters on earth, had a great deal of damage to our lives. Within this scope, it is necessary to take various measures in order to continue our lives. These measures are taken within the frame of certain quality standards both in social life and industrial life.

The sustainability of the electricity used in our daily life during and after the earthquake has vital importance. Electricity distribution systems which are used at many points, from educational institutions to hospitals, public institutions to factories, should continue to serve uninterruptedly. Therefore, it is very important to use products with seismic test certificates.



Çetinkaya Pano maintains the quality management system of the products under its own brand in 55,000 m² factory, from the raw material level to the product level.

In this direction, in order to measure the earthquake resistance of A Series Vertical Type Modular Enclosures, the multilateral agreement with the European Accreditation Association (EA) and the International Laboratory Accreditation Association (ILAC) on the recognition of the test reports of the Turkish Accreditation Agency (TÜRKAK).) in the Allianz Technical institution, (which has an agreement with) and has fulfilled the TS EN / IEC 60068-3-3 standard acceptance criteria by performing the necessary seismic tests and being entitled to receive this document.


Cetinkaya Pano taking steps forward to become the leading company in the sector by becoming one of the few companies that have received the seismic test certificate.



TÜRK STANDARLARI ENSTİTÜSÜ
TÜRK STANDARLARINA UYGUNLUK BELGESİ
TURKISH STANDARDS INSTITUTION
CERTIFICATE OF CONFORMITY TO TURKISH STANDARDS

Markanın Tanımı TSE  Description of the Mark TSE 	
BELGE NUMARASI REFERENCE NUMBER OF LICENCE	009870-TSE-05/01
BELGENİN İLK VERİLİŞ TARİHİ DATE OF FIRST ISSUE OF LICENCE	01.11.2017
BELGENİN SON GEÇERLİLİK TARİHİ LICENCE VALID UNTIL	11.11.2022
BELGE SAHİBİ KURULUŞUN ADI NAME OF THE LICENCE HOLDER	ÇETINKAYA PANO SAÇ TABLO VE PLASTİKSAN.TİC.A.Ş.
BELGE SAHİBİ KURULUŞUN ADRESİ ADDRESS OF THE LICENCE HOLDER	ŞAİR ZİYAPASA CAD HİDAYET HAN NO:57 /1 BEYOĞLU İSTANBUL/TÜRKİYE
ÜRETİM YERİ ADI NAME OF THE MANUFACTURING PLACE	ÇETINKAYA PANO SAÇ TABLO VE PLASTİK SANAYİ TİCARET ANONİM ŞİRKETİ
ÜRETİM YERİ ADRESİ ADDRESS OF THE MANUFACTURING PLACE	İSTIKLAL MAHALLESİ PİRİ REİS CADDESİ NO:6 KIRACI/İSTANBUL /TÜRKİYE
İPTAL EDİLEN BELGE NUMARASI (Varsa) INDICATION OF SUPERSEDED LICENCE (if any)	
TESCİLLİ TİCARİ MARKASI REGISTERED TRADE MARK	ÇETINKAYA ŞEKİL
İLGİLİ TÜRK STANDARTI RELATED TURKISH STANDARD	TS EN 62208 / 16.04.2014
BELGE KAPSAMI SCOPE OF LICENCE	
* BOŞ MAHAZALAR	
EKO SERİSİ ÇP XXXXX Model, Metal/ Duvara monte edilen, Bina içi, IP 40, IK 07/IK 10 Koruma dereceli, En x Boy x Derinlik (mm) 200 x 250 x 140 mm(dahil) den - 600 x 1000 x 200 mm(dahil)e kadar.	
ETANUJ 'E' SERİSİ ÇP XXXXX Model, Metal/ Duvara monte edilen, Bina içi, IP 54, IK 07/IK 10 Koruma dereceli, En x Boy x Derinlik (mm) 200 x 250 x 160 mm(dahil) den - 800 x 1400 x 400 mm(dahil)e kadar.	
ETANUJ 'B' SERİSİ (DİKKİLİ TİP MODÜLER PANO), ÇP XXXXX Model, Metal/ Zeminine Sabitlenen, Bina içi, IP 54, IK 10 Koruma dereceli, En x Boy x Derinlik (mm) 600 x 1400 x 400 mm(dahil) den - 1000 x 2000 x 500 mm(dahil)e kadar.	
e-imza/İ- signed 12.10.2021	
Belgelendirme Merkezi Başkanı Adına AHMET NURSI KARTAL	
TSE İSTANBUL BELGELENDİRME MÜDÜRÜ	
*Bu belge belgelendiren için, onun yerine Enstitümüzün belirlediği şartlar kapsamında da geçerlidir. *Bu belge, 16.04.2014 tarihinden itibaren aynı kuruma belgelendirme hizmeti sağlayacaktır. İletişim ve diğer bilgiler: *TSE İSTANBUL BELGELENDİRME MÜDÜRLÜĞÜ, Adres: Necatibey Cad. No:112 06100 Sakarlık Sokak/ANKARA - Telefon: 0312 416 64 81 / 416 61 27, Faks: 0312 416 66 17 E-posta: tse@tse.org.tr, web: www.tse.org.tr *TSE BELGELENDİRME MERKEZİ BAŞKANLIĞI, Adres: Necatibey Cad. No:112 06100 Sakarlık Sokak/ANKARA - Telefon: 0312 416 64 81 / 416 61 27, Faks: 0312 416 66 17 E-posta: tse@tse.org.tr, web: www.tse.org.tr	


1 / 2



T.C.
TÜRK PATENT ve MARKA KURUMU

MARKA TESCİL BELGESİ


Marka No : 2017 42523 - Ticaret



Marka Sahibi : ÇETINKAYA PANO SAÇ TABLO VE PLASTİK SANAYİ TİCARET ANONİM ŞİRKETİ
TÜRKİYE CUMHURİYETİ
Bankalar Sokağı Ziya Paşa Cad. No:57 Karaköy İstanbul


Emtişi : **09 , 11 , 17**
İlişiktir.

İşbu Marka 09/05/2017 tarihinden itibaren ON YIL süreyle 29/11/2017 tarihinde tescil edilmiştir.



T.C.
TÜRK PATENT ve MARKA KURUMU



Prof. Dr. Habip ASAN
Türk Patent ve Marka Kurumu Başkanı




1 / 2





TÜRK STANDARLARI ENSTİTÜSÜ
TÜRK STANDARLARINA UYGUNLUK BELGESİ
TURKISH STANDARDS INSTITUTION
CERTIFICATE OF CONFORMITY TO TURKISH STANDARDS

Markanın Tanımı TSE  Description of the Mark TSE 	
BELGE NUMARASI REFERENCE NUMBER OF LICENCE	009870-TSE-06/01
BELGENİN İLK VERİLİŞ TARİHİ DATE OF FIRST ISSUE OF LICENCE	22.09.2021
BELGENİN SON GEÇERLİLİK TARİHİ LICENCE VALID UNTIL	22.09.2022
BELGE SAHİBİ KURULUŞUN ADI NAME OF THE LICENCE HOLDER	ÇETINKAYA PANO SAÇ TABLO VE PLASTİKSAN.TİC.A.Ş.
BELGE SAHİBİ KURULUŞUN ADRESİ ADDRESS OF THE LICENCE HOLDER	ŞAİR ZİYAPASA CAD HİDAYET HAN NO:57 /1 BEYOĞLU İSTANBUL/TÜRKİYE
ÜRETİM YERİ ADI NAME OF THE MANUFACTURING PLACE	ÇETINKAYA PANO SAÇ TABLO VE PLASTİK SANAYİ VE TİCARET ANONİM ŞİRKETİ
ÜRETİM YERİ ADRESİ ADDRESS OF THE MANUFACTURING PLACE	İSTIKLAL MAH. PİRİ REİS CAD. NO:6 KIRACI-ESENYURT / İSTANBUL İSTANBUL / TÜRKİYE
İPTAL EDİLEN BELGE NUMARASI (Varsa) INDICATION OF SUPERSEDED LICENCE (if any)	
TESCİLLİ TİCARİ MARKASI REGISTERED TRADE MARK	voercro
İLGİLİ TÜRK STANDARTI RELATED TURKISH STANDARD	TS EN 60335-2-80 / 19.01.2006 - TS EN 60335-2-80/A1 / 17.01.2006 - TS EN 60335-2-80/A2 / 02.03.2010 - TS EN 60335-1 / 27.12.2012 - TS EN 60335-1/A1 / 30.09.2019 - TS EN 60335-1/A2 / 30.09.2019 - TS EN 60335-1/A1 / 16.02.2015 - TS EN 60335-1/A13 / 18.12.2017 - TS EN 60335-1/A14 / 30.09.2019
BELGE KAPSAMI SCOPE OF LICENCE	
-V03 160 002 MODEL, 230 V, 50 Hz, 34 W, I SINIFI, SARGI YALITIM SINIFI (F), VANTİLATÖR, (KULLANIM YERİ İP54 KORUMA DERESESİNE SAHİP ALÇAK GERİLİM ANAHTARLAMA VE KONTROL DÜZENLERİ İÇİN KULLANILAN ELEKTRİK PANOLARINA GÖMÜLÜ CİHAZ)	
-V03 162 003 MODEL, 230 V, 50 Hz, 35 W, I SINIFI, SARGI YALITIM SINIFI (F), VANTİLATÖR, (KULLANIM YERİ İP54 KORUMA DERESESİNE SAHİP ALÇAK GERİLİM ANAHTARLAMA VE KONTROL DÜZENLERİ İÇİN KULLANILAN ELEKTRİK PANOLARINA GÖMÜLÜ CİHAZ)	
-V03 175 002 MODEL, 230 V, 50 Hz, 46 W, I SINIFI, SARGI YALITIM SINIFI (F), VANTİLATÖR, (KULLANIM YERİ İP54 KORUMA DERESESİNE SAHİP ALÇAK GERİLİM ANAHTARLAMA VE KONTROL DÜZENLERİ İÇİN KULLANILAN ELEKTRİK PANOLARINDA KULLANILAN GÖMÜLÜ CİHAZ)	
e-imza/İ- signed 22.09.2021	
Belgelendirme Merkezi Başkanı Adına SOYDAN CERAN	
ELEKTROTEKNİK SEKTÖRÜ MÜDÜRÜ	
*Bu belge belgelendiren için, onun yerine Enstitümüzün belirlediği şartlar kapsamında da geçerlidir. *Bu belge, 16.04.2014 tarihinden itibaren aynı kuruma belgelendirme hizmeti sağlayacaktır. İletişim ve diğer bilgiler: *TSE ELEKTROTEKNİK SEKTÖRÜ MÜDÜRLÜĞÜ, Adres: Necatibey Cad. No:112 06100 Sakarlık Sokak/ANKARA - Telefon: 0312 416 64 81 / 416 61 27, Faks: 0312 416 66 17 E-posta: tse@tse.org.tr, web: www.tse.org.tr *TSE BELGELENDİRME MERKEZİ BAŞKANLIĞI, Adres: Necatibey Cad. No:112 06100 Sakarlık Sokak/ANKARA - Telefon: 0312 416 64 81 / 416 61 27, Faks: 0312 416 66 17 E-posta: tse@tse.org.tr, web: www.tse.org.tr	

1 / 2



TÜRK STANDARLARI ENSTİTÜSÜ
TÜRK STANDARLARINA UYGUNLUK BELGESİ
TURKISH STANDARDS INSTITUTION
CERTIFICATE OF CONFORMITY TO TURKISH STANDARDS

Markanın Tanımı TSE  Description of the Mark TSE 	
BELGE KAPSAMI (009870-TSE-06/01'olu belge devamı) :	ÇETINKAYA PANO SAÇ TABLO VE PLASTİKSAN.TİC.A.Ş. İLGİLİ TÜRK STANDARTI(RELATED TURKISH STANDARD) TS EN 60335-2-80 / 19.01.2006 - TS EN 60335-2-80/A1 / 17.01.2006 - TS EN 60335-2-80/A2 / 02.03.2010 - TS EN 60335-1 / 27.12.2012 - TS EN 60335-1/A1 / 30.09.2019 - TS EN 60335-1/A2 / 30.09.2019 - TS EN 60335-1/A1 / 16.02.2015 - TS EN 60335-1/A13 / 18.12.2017 - TS EN 60335-1/A14 / 30.09.2019
-V03 190 002 MODEL, 230 V, 50 Hz, 57 W, I SINIFI, SARGI YALITIM SINIFI (F), VANTİLATÖR, (KULLANIM YERİ İP54 KORUMA DERESESİNE SAHİP ALÇAK GERİLİM ANAHTARLAMA VE KONTROL DÜZENLERİ İÇİN KULLANILAN ELEKTRİK PANOLARINA GÖMÜLÜ CİHAZ)	
-V03 200 002 MODEL, 230 V, 50Hz, 81 W, I SINIFI, SARGI YALITIM SINIFI (F), VANTİLATÖR, (KULLANIM YERİ İP54 KORUMA DERESESİNE SAHİP ALÇAK GERİLİM ANAHTARLAMA VE KONTROL DÜZENLERİ İÇİN KULLANILAN ELEKTRİK PANOLARINA GÖMÜLÜ CİHAZ)	
e-imza/İ- signed 22.09.2021	
Belgelendirme Merkezi Başkanı Adına SOYDAN CERAN	
ELEKTROTEKNİK SEKTÖRÜ MÜDÜRÜ	
*Bu belge belgelendiren için, onun yerine Enstitümüzün belirlediği şartlar kapsamında da geçerlidir. *Bu belge, 16.04.2014 tarihinden itibaren aynı kuruma belgelendirme hizmeti sağlayacaktır. İletişim ve diğer bilgiler: *TSE ELEKTROTEKNİK SEKTÖRÜ MÜDÜRLÜĞÜ, Adres: Necatibey Cad. No:112 06100 Sakarlık Sokak/ANKARA - Telefon: 0312 416 64 81 / 416 61 27, Faks: 0312 416 66 17 E-posta: tse@tse.org.tr, web: www.tse.org.tr *TSE BELGELENDİRME MERKEZİ BAŞKANLIĞI, Adres: Necatibey Cad. No:112 06100 Sakarlık Sokak/ANKARA - Telefon: 0312 416 64 81 / 416 61 27, Faks: 0312 416 66 17 E-posta: tse@tse.org.tr, web: www.tse.org.tr	

1 / 2



EC DECLARATION OF CONFORMITY
UYGUNLUK BEYANI



ÜRETİCİ FİRMA / **MANUFACTURER** ÇETİNKAYA PANO SAÇ TABLO VE PLASTİK SANAYİ TİCARET A.Ş.
SELEHADDİN EYYUBİ MAH. PİRİ REİS CAD. NO:6 KIRAÇ/İSTANBUL

Aşağıda bahsi geçen üretim konularımızın 2014/35 AB direktifine göre üretimini ve kontrollerini yaptığımızı firma olarak beyan ederiz.

As a company, we declare that we manufacture and control our production issues mentioned below in accordance with the 2014/35 EU directive.

Üretim konuları:	Production subject:
Metal panolar	Metal boards
Plastik panolar	Plastic boards
Polyester panolar	Polyester boards
Sigorta kutuları	Distribution boxes
Buat kutular	Junction boxes

Standards: EN 62208, EN 60670-1

Tarih/Date: 01.10.2020



SERTİFİKA

CERTIFICATE

KALİTE YÖNETİMİ / QUALITY MANAGEMENT

ÇETİNKAYA PANO SAÇ TABLO VE PLASTİK
SAN. TİC. A.Ş.

kuruluşum,
company.

Merkez: Sair Ziya Paşa Cad. No:45 34420 Karaköy Beyoğlu / İstanbul / Türkiye
Üretim: Selahaddin Eyyubi Mah. Piri Reis Cad. No:6 Kiraç Esenyurt / İstanbul / Türkiye

adresimde,
at address.

KABLO KANALI, METAL, POLYESTER PLASTİKTEN ELEKTRİK PANOSU VE
KUTULARI İMALATI, ELEKTRİK PANOSU MONTAJI, AYDINLATMA
ARMATÜRÜ İMALATI, REGÜLATÖR VE TRAFÖ İMALATI,

CABLE TRENCH ELECTRICAL PANEL AND CONDUIT BOX PRODUCTION FROM METAL AND
POLYESTER PLASTIC, ELECTRICAL PANEL INSTALLATION, LIGHTING FIXTURES
PRODUCTION, REGULATORY AND TRANSFORMER PRODUCTION

EA 19 kapsamında
At scope EA 19

kalite yönetim sistemi yürürlüğe koyduğum,
perform the quality management system.

ISO 9001:2015

standart talimatlarının verime getirildiği belirlenmiştir.
the complete of the standard was determined.

İlk Yayın Tarihi / Date First Registered	:22.05.2017
Yayın Tarihi / Date Certificate Issued	:18.05.2021
Geçerlilik Periyodu / Period of Registration	:3 Yıl / Years
Geçerlilik Tarihi / Date Certificate Expires	:17.05.2022
Sertifika Numarası / Certificate No	: 01/12012/05



Onay:
Approved By




Bu sertifikamın geçerliliği, yılda en az bir kez yapılacak güncellenmiş denetimlere bağlıdır. Bu durumda belge yeniden değerlendirilmelidir.
The validity of this certificate, subject to successful completion of surveillance audit which will take place at least once a year. In this case, the document will be revised.

ASB Uluslararası Belgelendirme Gözetim Denetim ve Eğitim Hizmetleri Ltd. Şti. / ASB International Certification Surveillance, Auditing and Training Services Ltd. Company
Tatlısu Mah. Akıl İnşaat Sok. Sevim Residence No:15 Daire:13 Kat:3B Ümraniye - İstanbul / TÜRKİYE Tel: +90 216 526 13 04 Fax: +90 216 526 30 91 e-mail: bil@asbcert.com.tr
Bu sertifika, kuruluşun ASB'nin şartlarına uyduğu sürece geçerlidir. Sertifikasyon durumu www.asbcert.com.tr adresinden kontrol edilebilir.
The validity shall remain in force as long as the corporation follows instructions of ASB. Certificate status can be checked at www.asbcert.com.tr



TURK
PATENT
TÜRK PATENT VE HAKK KURUMU

FAYDALI MODEL BELGESİ

No: TR 2019 09900 Y

Buluş Başlığı

YENİ BİR KÖŞE BİRLEŞTİRME ELEMANI

Faydalı Model Sahibi

**ÇETİNKAYA PANO SAÇ TABLO VE
PLASTİK SAN. TİC. A.Ş.**

Bu belge, 6769 sayılı Sınai Mülkiyet Kanunu kapsamında 02/07/2019 tarihinden itibaren 10 yıl süre ile korunmak üzere 21/10/2021 tarihinde verilmiştir.



Prof. Dr. Habip ASAN
Başkan




TURK PATENT
TÜRK PATENT VE MARKA KURUMU

FAYDALI MODEL BELGESİ

No: TR 2019 01960 Y

Buluş Başlığı
KUTU PROFİL İŞLEME MAKİNASI

Faydalı Model Sahibi
**ÇETİNKAYA PANO SAÇ TABLO VE
PLASTIKSAN.TİC.A.Ş.**

Bu belge, 6769 sayılı Sınai Mülkiyet Kanunu kapsamında 08/02/2019 tarihinden itibaren 10 yıl süre ile korunmak üzere 22/02/2021 tarihinde verilmiştir.


Prof. Dr. Habip ASAN
Başkan


TURK PATENT
TÜRK PATENT VE MARKA KURUMU

FAYDALI MODEL BELGESİ

No: TR 2019 09899 Y

Buluş Başlığı
TAŞIYICI PROFİLDE YENİLİK

Faydalı Model Sahibi
**ÇETİNKAYA PANO SAÇ TABLO VE
PLASTIKSAN.TİC.A.Ş.**

Bu belge, 6769 sayılı Sınai Mülkiyet Kanunu kapsamında 02/07/2019 tarihinden itibaren 10 yıl süre ile korunmak üzere 21/09/2021 tarihinde verilmiştir.


Prof. Dr. Habip ASAN
Başkan


TURK PATENT
TÜRK PATENT VE MARKA KURUMU

FAYDALI MODEL BELGESİ

No: TR 2020 01189 Y

Buluş Başlığı
BİR KİLİT

Faydalı Model Sahibi
**ÇETİNKAYA PANO SAÇ TABLO VE
PLASTIKSAN.TİC.A.Ş.**

Bu belge, 6769 sayılı Sınai Mülkiyet Kanunu kapsamında 27/01/2020 tarihinden itibaren 10 yıl süre ile korunmak üzere 21/12/2021 tarihinde verilmiştir.


Prof. Dr. Habip ASAN
Başkan

Allianz Teknik

ALLIANZ TEKNİK DEPREM & YANGIN TEST VE EĞİTİM MERKEZİ

Türk-Alman Üniversitesi, Şahinkaya Cad. No:90, 34820 Beykoz / İSTANBUL

Tel: 0216 556 6351 E-posta: allianztekNIK@allianz.com.tr

Web: www.allianztekNIK.com.tr



TEST RAPORU
TEST REPORT



Test
TS EN ISO/IEC 17025
AB-1601-T

AB-1601-T

EQ-AZTEK-21-
024

12-21

Müşterinin Adı/Adresi Customer Name/Address	: Çetinkaya Pano Sac Tablo ve Plastik San. Tic. A.Ş. Selahattin Eyyubi Mahallesi Piri Reis Caddesi No: 6 Kıraç/İstanbul
Teklif Numarası Order No.	: AZTEK-21-024
Numunenin Adı Ve Tarihi Name And Identity Of Test Item	: A Series Vertical Type Modular Enclosure (Serial Number: 01.A.MNT.0820060)
Numunenin Kabul Tarihi The Date Of Receipt Of Test Item	: 22/11/2021
Uygulanan Standart / Metot Applied Standard / Method	: EN/IEC 60068-3-3
Açıklamalar Remarks	: Allianz Teknik confirms that the above referenced item has been tested in accordance with the Seismic/Earthquake requirements of EN/IEC 60068-3-3 seismic earthquake testing.
Deneyin Yapıldığı Tarih Date Of Test	: 23/11/2021
Raporun Sayfa Sayısı Number Of Pages Of The Report	: 47

Deney laboratuvarı olarak faaliyet gösteren Allianz Teknik, TÜRKAK'tan AB-1601-T akreditasyon dosya numarası ile TS EN ISO/IEC 17025:2017 standardına göre akredite edilmiştir.

Allianz Teknik accredited by TÜRKAK under registration number AB-1601-T for EN ISO/IEC 17025:2017 as test laboratory.

Türk Akreditasyon Kurumu(TÜRKAK) deney raporlarının tanınırlığı konusunda Avrupa Akreditasyon Birliği(EA) ile Çok Taraflı Anlaşma ve Uluslararası Laboratuvar Akreditasyon Birliği(ILAC) ile karşılıklı tanıma anlaşması imzalamıştır.

Turkish Accreditation Agency (TURKAK) is a signatory to the European co-operation for Accreditation (EA) Multilateral Agreement (MLA) and to the International Laboratory Accreditation Cooperation (ILAC) Mutual Recognition Arrangement (MRA) for the recognition of test reports.

Deney ve /veya ölçüm sonuçları, genişletilmiş ölçüm belirsizlikleri (olması halinde) ve deney metotları bu raporun tamamlayıcı kısmı olan takip eden sayfalarda verilmiştir.

The test and/or measurement results, the uncertainties (if applicable) with confidence probability and test methods are given on the following pages which are part of this report.

Bu rapor deney talebine istinaden düzenlenmiş olup ihalelerde deney raporu olarak kullanılabilir. Ürün grubunu temsil etmez ve sadece deneyi gerçekleştirilen test numunesi için geçerlidir.

This report has been prepared based on the test request and can be used as a test report in procurements. It does not represent a batch and is valid only for the tested sample.

Beykoz Gayrimenkul Yatırım İnşaat Turizm Sanayi ve Tic. A.Ş. bundan böyle rapor içeriğinde "Allianz Teknik" olarak anılacaktır.

Beykoz Gayrimenkul Yatırım İnşaat Turizm Sanayi ve Tic. A.S. hereinafter to be briefly referred to as "Allianz Teknik" in the content of the report.

"Allianz Teknik" Allianz SE'nin tescilli bir markasıdır. Bu Rapor Allianz Teknik'in yazılı izni olmadan kopyalanamaz veya çoğaltılamaz. Belirtilen yönde görünen herhangi bir işlem gerekli yazılı izin olmaksızın geçersiz olacaktır. İmzasız ve kaşesiz raporlar geçersizdir. Bu rapor yalnızca rapor içeriğinde belirtilen test numuneleri için geçerlidir.

"Allianz Teknik" is a registered trademark of Allianz SE. This Report cannot be copied or reproduced without Allianz Teknik's written permission. Any such purported operation shall be void without such written consent. Reports without signature and stamp are not valid. This report is valid exclusively only for mentioned test samples.

Mühür/Kaşe
Seal

Yayımlandığı Tarih
Report Release Date

Deney Sorumlusu
Person in charge of test

Onaylayan
Approval

BEYKOZ GAYRİMENKUL YATIRIM İNŞAAT
TURİZM SANAYİ VE TİCARET A.Ş.
Küçükbakkalköy Mahallesi Kayışdağı Caddesi
No:1 Kat:20 Ataşehir / İSTANBUL

15.12.2021

Volkan Ayık

Erkan Özdağ



Cetinkaya Pano A.S

FACTORY:

Address: Selahaddin Eyyubi Mah.
Piri Reis Cad. No:6 Kirac / ISTANBUL
Phone: +90 212 689 5 689
Fax: +90 212 689 5 699

International Sales:

Address: Sair Ziya Pasa Cad. Hidayet Han No:45/6
Karakoy / ISTANBUL
Phone: +90 212 255 04 69
Fax: +90 212 255 04 79
E-mail: exportsales@cetinkayapano.com



www.cetinkayapano.com